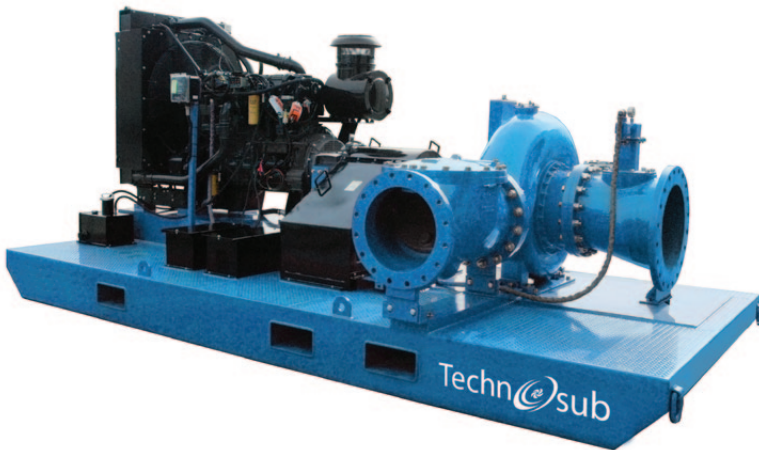


# 24THTAP HIGH HEAD TRASH AUTO PRIME



**Technosub® High Head Trash Auto Prime pumps are specifically designed to effectively handle a wide range of liquids from water to sewage and sludge that can contain solids and other material.**

**Technosub High Head Trash Auto Prime pumps provide a dependable, highly efficient solution in a completely automatic priming pump.**

**The model 24THTAP is capable of achieving maximum flows of 16000 gpm (3634 m<sup>3</sup>/h) and maximum total head of 238' (75.5 m) while handling solids up to 4" (100 mm) in diameter.**

**The standard 24THTAP is powered by a water cooled, 6-cylinder diesel engine. Alternative drives are available, including other diesel engines or electric motor options.**

## FEATURES

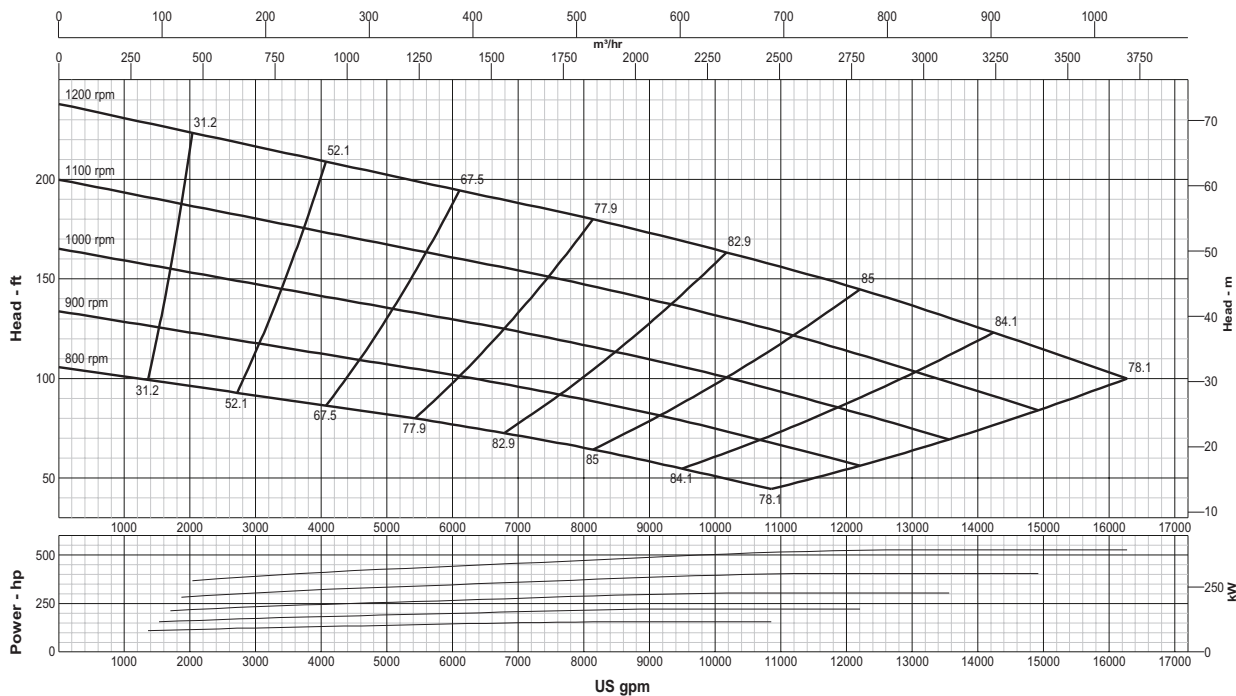
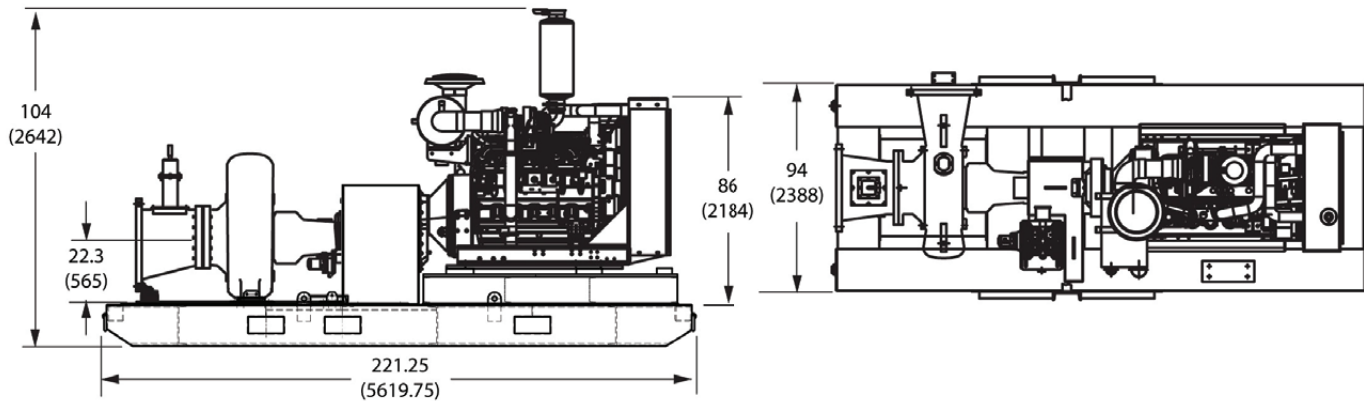
- Technosub's rugged, heavy duty pumps are engineered specifically for portable application
- Fully automatic priming system allows the pump to prime and re-prime while running
- Compressor-fed, venturi priming system provides rapid, reliable priming
- Fully guarded coupling
- Mechanical seal with biodegradable glycol quench allows the pump to start and run dry
- Non-return valve uses only a single moving part to allow full flow with minimal restriction
- Pump casings are hydrostatically tested to 50 psig (345 kPa) above the peak casing design pressure
- Standard engine control panel provides preset emergency shutdown protection and allows the addition of automatic level control
- Skid-mounted formats with tie downs, lifting bail, and fork pockets

## OPTIONS

- Technosub's Environmental Box captures venturi blow by, separates and silences air exhaust and returns liquid to the pump suction.
- Auxiliary double containment fuel cells.
- Sound attenuated enclosure options
- Electric Driven
- CD4MCu

Various motor sizes available pending operating point

# 24THTAP HIGH HEAD TRASH AUTO PRIME



## SPECIFICATIONS

- **Connections:** 24" x 18" (600 mm x 450 mm) ANSI Flanges
- **Maximum pump speed:** 1200 rpm
- **Maximum Flow:** 16000 gpm (3634 m<sup>3</sup>/h)
- **Maximum Head:** 237' (72.2 m)
- **Maximum Static Priming Lift:** 28' (8.5 m)
- **Water Temperature Limit:** 160° F (70° C)
- **Solids Handling Capability:** 4.5" (114.3 mm)
- **Maximum Casing Pressure:** 125 psig (862 kPa)
- **Fuel Cell:** 5 gallon (18.9 liter)
- **HP:** May vary, contact Sales Representative.

## PUMP MATERIALS

- **Casing:** Cast Iron (CD4MCu is an option)
- **Impeller:** Cast Iron (CD4MCu is an option)
- **Bearing Housing:** Cast Iron
- **Bearing Lubrication:** Grease
- **Shaft:** Steel
- **Shaft Sleeve:** Stainless Steel
- **Seal:** Silicon Carbide on Silicon Carbide
- **Chassis:** Steel
- **Non-Return Valve:** Nitrile Fitted Cast Iron

Specifications and illustrations are subject to revision without notice. Technosub is not liable for any consequential, incidental or indirect damages relating to these specifications.

1 819 797-3300

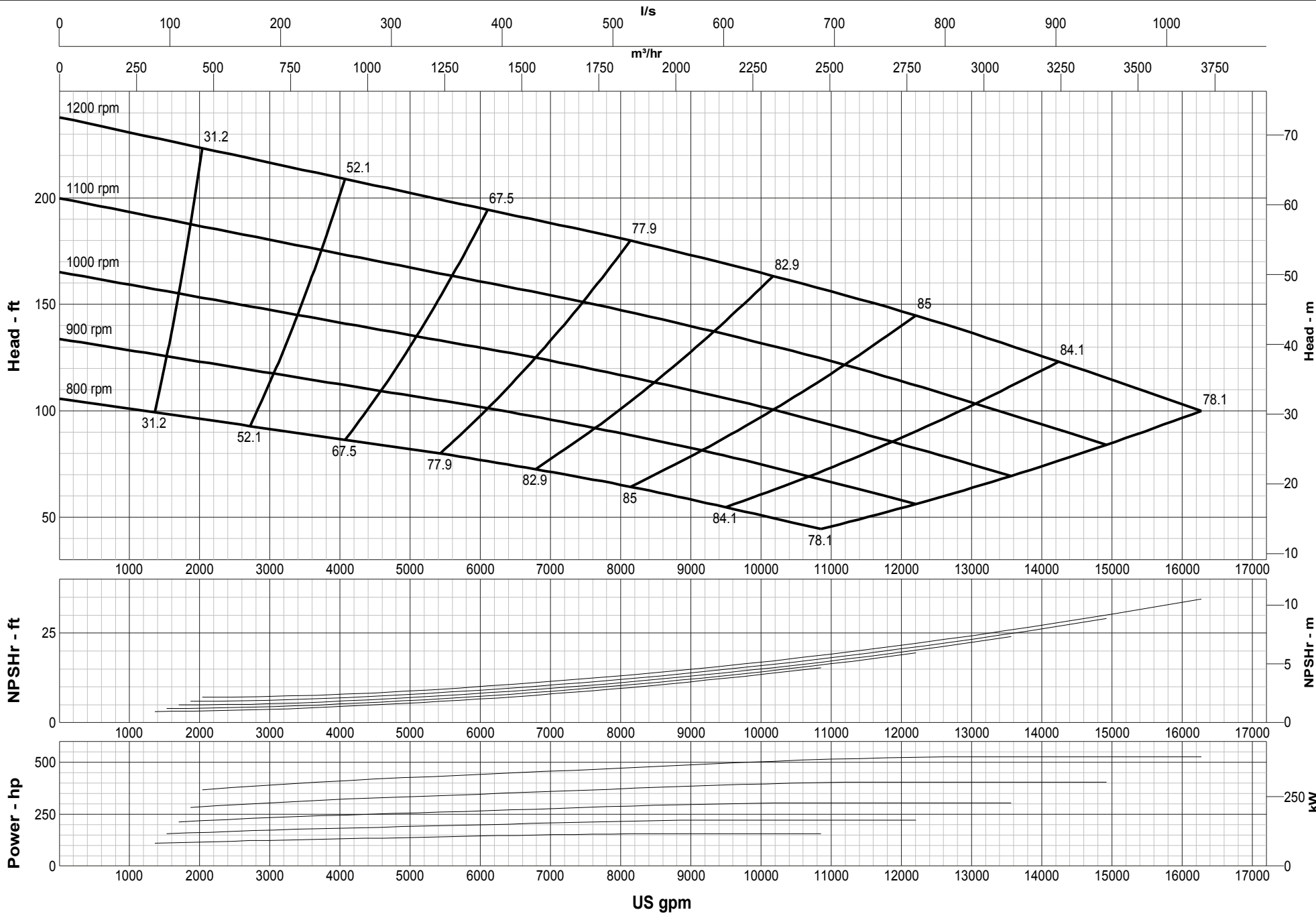
[TECHOSUB.NET](http://TECHOSUB.NET)

1156 Larivière avenue, Rouyn-Noranda QC Canada J9X 4K8

T 819 797-3300 F 819 797-3060 [info@technosub.net](mailto:info@technosub.net)

**Technosub**

INDUSTRIAL PUMPS  
DEWATERING SOLUTIONS



### SPECIFICATIONS

Model size : 24THTAP  
 Speed : 800 - 1200 rpm  
 Dia : 22 in



1 866 797-3300  
 TECHNOSUB.NET  
 info@technosub.net