

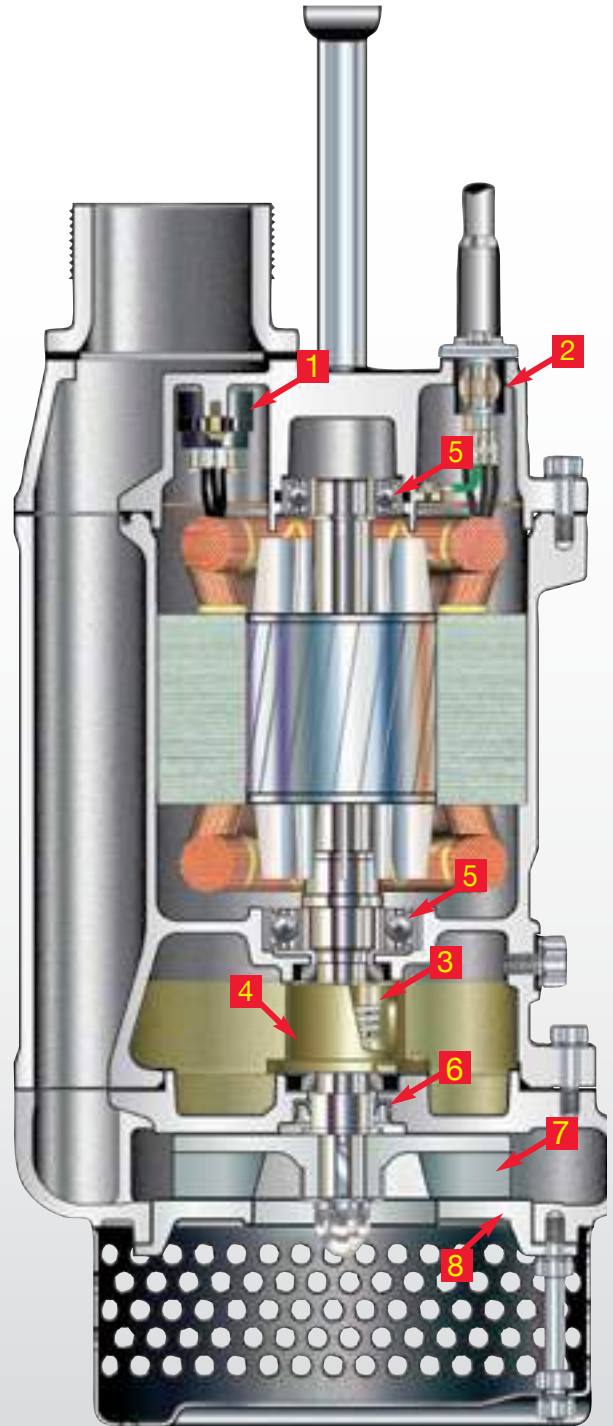


 **TSURUMI PUMP**™
BUILT FOR WORK®
THREE PHASE DEWATERING PUMPS



Rugged Tsurumi pumps are loaded top to bottom with features to withstand your toughest dewatering applications.

- 1 Motor Protector:**
Protects against overheating and run-dry.
- 2 Anti-Wicking Block:**
Prevents water incursion due to capillary wicking should the power cable be damaged or the end submerged.
- 3 Double Inside Mechanical Seal with Silicon Carbide Faces:**
Provides the longest operational life of any available seal.
- 4 Oil Lifter:**
Lubrication of the seal faces down to 1/3 of normal oil level and greatly extends the seal life - uses no additional power.
- 5 Ball Bearings:**
Permanently lubricated, double-shielded, single row deep groove, high temperature C3 Ball bearings, Rated B-10 = 60,000 Hours.
- 6 Lip Seal Protector:**
Protects mechanical seal from abrasive particles.
- 7 High Chrome Iron / Ductile Iron Impeller:**
Resists wear by abrasive particles.
- 8 Field Adjustable / Replaceable Suction Cover:**
Resists wear by abrasive particles, and is easily adjusted to maintain pump performance.



The cutaway view above is a KTZ series pump. This pump illustrates the common design features used in Tsurumi dewatering pumps. Other series may differ in shape and structure.

Three Phase Dewatering Pump Lineup

KTZ(E) Series



High head and high volume dewatering. Semi-open High Chrome Impeller.

Easy conversion between high head and high volume models in each motor size.

KTZE pumps with built-in electrode for automatic operation without a control panel.

Discharge Sizes:
2, 3, 4 and 6 inch
HP: 2, 3, 5, 7.5, 10, & 15

LH Series



Medium to high volume at high heads.

Closed High Chrome Impeller.

Easy conversion between high head and high volume models in each motor size.

Discharge Sizes:
4, 6, and 8 inch
HP: 4, 20, 30, 35, 40, 50, 60, 75, 100, 120, & 150

LHW Series



Extra high head pumping.

Dual staged, Closed High Chrome Impeller.

Pressure relief ports protect mechanical seal from excessive pressure and water hammer.

Discharge Sizes:
2, 3, and 4 inch
HP: 4, 7.5, 15, 30, 40 & 150

KTV(E) Series



Portable job-site dewatering.

Semi-vortex Urethane Rubber or Ductile Iron Impeller.

KTVE pumps with built-in electrode for automatic operation without a control panel.

Discharge Sizes:
2 and 3 inch
HP: 1, 2, 3, 5, & 7.5

KRS Series



High volume dewatering.

Semi-open Ductile Iron and High Chrome Impeller.

1800RPM and 1200 RPM motors reduce impeller wear.

Discharge Sizes
3, 4, 6, 8, 10, 12, and 14 inch
HP: 3, 5, 7.5, 10, 15, 20, 25, 30, 40, & 50

GSZ Series



High volume dewatering pumping.

Closed High Chrome and Stainless Steel Impeller.

1800 RPM and 1200 RPM motors reduce impeller wear.

Discharge Size:
6, 8, and 10 inch
HP: 30, 50, 60, 75, 100 & 200

Agitator Pumps



Heavy duty slurry pumping.

Abrasive resistant.

Single phase and three phase solutions.

Discharge Size:
2 - 10 inch
HP: 1/2 - 100

SFQ Series



Corrosive liquid dewatering.

Semi-open Stainless Steel Impeller.

All parts in contact with the liquid are 316 Stainless Steel.

All elastomers are Viton.

Discharge Size:
2, 3 and 4 inch
HP: 1, 2, 5, 7.5, 10 & 15

SQ Series



Portable corrosive liquid dewatering.

Semi-open Stainless Steel Impeller.

All parts in contact with the liquid are 304 Stainless Steel.

Discharge Size:
2 inch
HP: 1/2 & 1

LB / LBT Series



For well dewatering:
Fits n 8" casing.

Semi-Vortex Impeller.

Allows for jobsite dewatering utilizing smaller generators and smaller well casings.

Discharge Size:
2 and 3 inch
HP: 1/2, 1 & 2

GSZ SERIES | High volume dewatering pumps



GSZ5-37-4



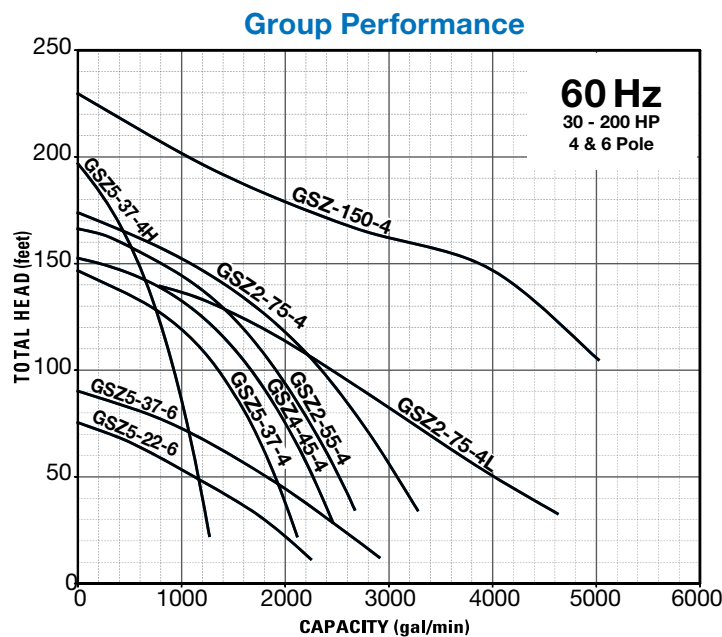
GSZ-150-4

Material

Impeller:	High Chrome or Stainless Steel
Casing:	Cast Iron
Mechanical Seal:	Silicon Carbide
Motor Frame:	Cast Iron / Cooling Jacket
Shaft:	420 Stainless Steel
Fasteners:	304 Stainless Steel
Cable:	Chloroprene Sheath

Features

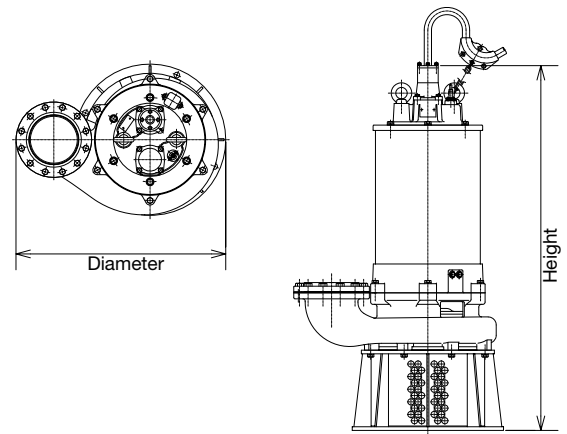
- High Volume Pumping
- 4 Pole, 1800 RPM Motors / 6 Pole, 1200 RPM Motors
- Lower Impeller Tip Speeds for Longer Life
- Rugged Iron Construction
- Anti-Wicking Cable Entrance
- Dual Silicon Carbide Mechanical Seals
- Oil Lifter
- Internal Thermal Motor Protection
- Water Jacket for Motor Cooling



GSZ series is one of the most formidable high volume submersible dewatering pumps available. Reducing impeller speed by half will extend your parts wear life by at least 2-3 times. With impeller materials of High Chrome and Stainless Steel, the GSZ series tackles the most aggressive dewatering applications. The side discharge design allows a smooth passage of abrasive materials.

Tsurumi's exclusive Seal Pressure Relief Ports further protect the mechanical seals on the 4-pole, 1800 RPM models by providing a flow path above the pump casing to allow a release of water to flow from the pump and away from the shaft. The mechanical seals remain isolated in the oil chamber above this flow path and are protected from any excessive pumping pressure or water hammer that may cause premature wear or failure of the mechanical seals in high pressure applications.

Extended operation at low water levels is made possible by utilizing a water jacket that surrounds the motor housing. A portion of the water is allowed to flow completely around the motor on its way to the side discharge. Air lock is prevented by an air-release valve at the top of the water jacket to allow air in the pump casing and water jacket to be displaced by water when the pump begins operation.



MODEL	MOTOR SPECIFICATIONS					Discharge Size (inch)	DIMENSION		Max. Solids Dia. (inch)	Continuous Running Water Level (in.)	Pump Weight (lbs.)	
	Output (HP)	Rated Current (A)					RPM	Diameter				Height
		208V	230V	460V	575V							
GSZ5-22-6	30	—	—	41	33	1160	8	38	53 9/16	1.97	13 3/4	1610
GSZ5-37-4H	50	—	—	63	49.5	1750	6	35 7/16	61 1/8	0.394	17 3/8	1310
GSZ5-37-4	50	—	—	63	49.5	1750	8	36	62 5/16	0.984	18 7/8	1240
GSZ5-37-6	50	—	—	64	52	1160	8	41 1/4	55 15/16	1.97	14 5/8	1500
GSZ4-45-4	60	—	—	76	63	1745	8	36	62 5/8	0.984	18 1/8	1300
GSZ2-55-4	75	—	—	97	76	1775	10	41 5/16	75 7/8	0.984	20 1/8	2430
GSZ2-75-4	100	—	—	128	101	1775	10	41 5/16	75 7/8	0.984	20 1/8	2680
GSZ2-75-4L	100	—	—	128	101	1775	10	41 5/16	77 5/8	0.984	28 3/4	2730
GSZ-150-4	200	—	—	265	-	1775	10	47 15/16	95 1/4	0.984	30 3/4	5140

TSURUMI PUMP™ ACCESSORIES

CONTROL PANELS - Automatic / Manual, VFD & Soft Start Control Panels

■ Automatic Control Panels

- UL Listed Nema 4X Fiberglass Enclosure
- HOA Selector Switch
- IEC Rated Magnetic Contactor
- Field Adjustable Overload Protection
- Includes (2) 50" Mechanical Floats



■ Manual Control Panels

- UL Listed
- Hand/Off Lockable Selector Switch
- IEC Rated Magnetic Contactor
- Field Adjustable Overload Protection
- Nema 4X Fiberglass Enclosure



■ VFD and Soft Start Control Panels

- Constant Pressure
- Constant Level
- Pace FLOW
- UL Listed
- Field Adjustable Overload Protection

Available Options Include:

- Line Reactor
- Load Reactor
- Seal Leak Protection
- Lightning Protection
- Ground-Ground Check Protection
- Elapsed Time meter
- Mechanical Floats
- Liquid Level Probes
- SCADA monitoring



TSURUMI PUMP™

BUILT FOR WORK®

TSURUMI (AMERICA), INC.

Headquarters: 1625 Fullerton Ct, Glendale Heights, IL 60139

Utah Office: 6216 West 9790 South, West Jordan, UT 84081

Tel: 1-888-878-7864 (Toll-Free) • 1-630-793-0127

Fax: 1-630-793-0146 • www.tsurumipump.com



Your Dealer

TSURUMI Canada

149 J.A. Bombardier, Suite 10
Boucherville QC J4B 8P1

+14504496484

info@tsurumicanada.com
tsurumicanada.com



Find us @tsurumiamerica