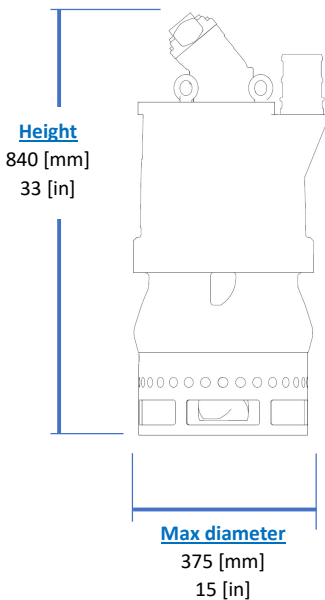
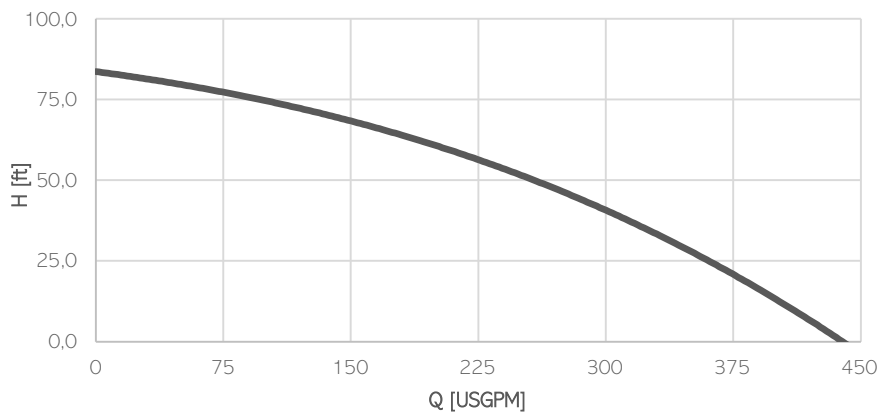
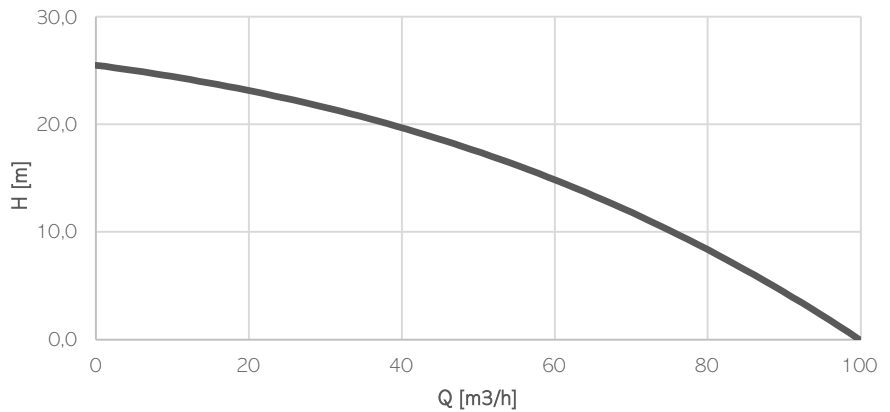


# HYDRAULIC PUMP HY18



**KG**  
**Weight**  
170 [kg]  
375 [lb]

Model	HY18
Brake Power [kW HP]	13   17
Efficiency [%]	22
RPM Max	2000
Motor Displacement [cc]	23
Oil flow rate max [l/min]	46
Nominal pressure [bar]	200
Max pressure [bar]	350
Solid handling [mm in]	20   0.8
Discharge (Hose adaptor) [mm in]	80   3"

### ⚙️ Materials

Part	Standard
Casing	Cast Iron EN-GJS500
Body	Cast Iron EN-GJS500
Wear Parts	High chrome EN-GJN-HV600 (CH6)
Minimum hardness [HB]	550
Main shaft	High tensile 39NiCrMo3
PH Range	5-10

### 💧 Seals and lubricants

Version	STANDARD
Motor Side	MECHANICAL
Impeller Side	MECHANICAL
Oil type	ISO32

### 🔧 Ports

- | Service line Ports: SAE J518 3/4in
- | Case drain Port: DIN3852 M18x1,5

### ⚠️ Operating Conditions

- | Max liquid temperature 40°C
- | Min Submersion depth 350mm