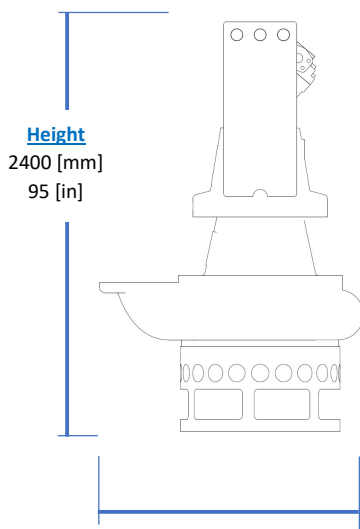
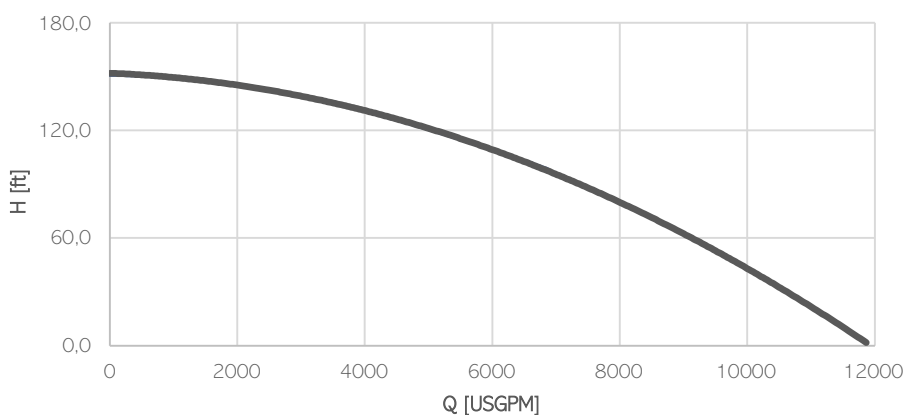
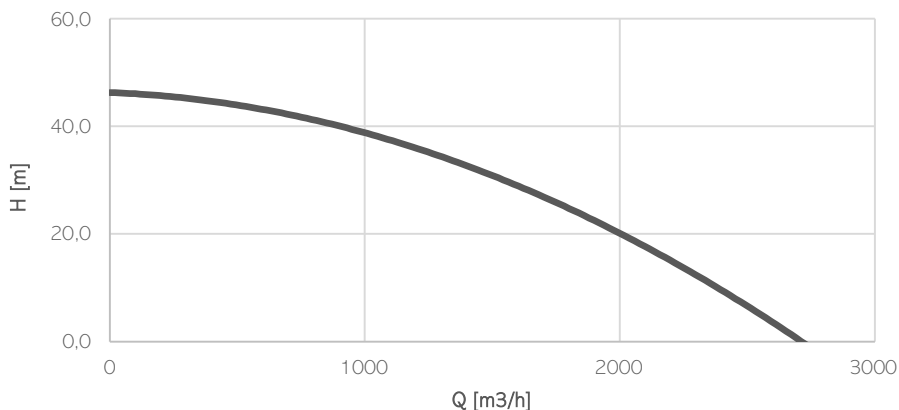


# HYDRAULIC PUMP HY300



**KG**  
**Weight**  
3500 [kg]  
7700 [lb]

Model	HY300
Brake Power [kW HP]	220   300
Efficiency [%]	50
RPM Max	750
Motor Displacement [cc]	500
Oil flow rate max [l/min]	380
Nominal pressure [bar]	300
Max pressure [bar]	350
Solid handling [mm in]	120   4.7
Discharge [DN PN]	250   PN10

### Materials

Part	Standard
Casing	Cast Iron EN-GJS500
Body	Cast Iron EN-GJS500
Wear Parts	High chrome EN-GJN-HV600 (CH6)
Minimum hardness [HB]	550
Main shaft	High tensile 39NiCrMo3
PH Range	5-10

### Seals and lubricants

Version	HY300	MG
Motor Side	LIPS	MECHANICAL
Impeller Side	LIPS	LIPS
Oil type	EP320	ISO32

### Ports

- | Service line Ports: SAE J518 1 1/4in
- | Case drain Port: DIN3852 M33x2

### Operating Conditions

- | Max liquid temperature 40°C
- | Min Submersion depth 1400mm