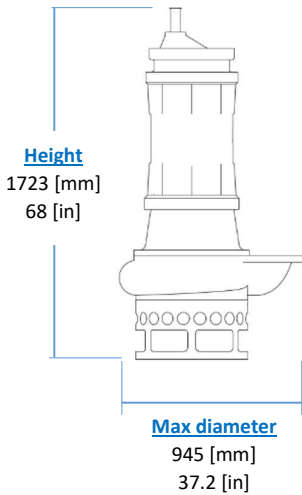
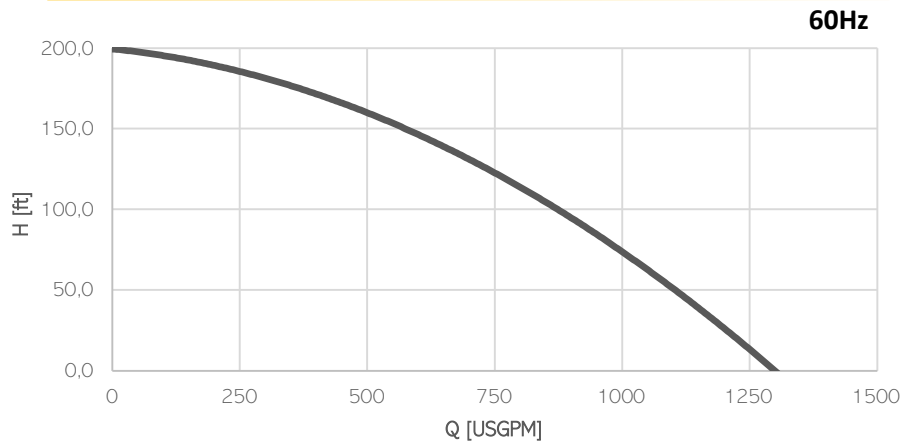


ELECTRIC PUMP EL604SHH



KG
Weight
(without cable)
1250 [kg]
2755 [lb]

| Model | EL604SHH |
|------------------------|----------|
| Brake Power [kW HP] | 90 120 |
| Electric Power [kW HP] | 96 128 |
| Frequency [Hz] | 60 |
| Efficiency [%] | 47% |
| Number of Poles | 4 |
| RPM | 1776 |
| Voltage [V] | 575 |
| Rated Current [A] | 112,8 |
| Solid handling [mm in] | 35 1.4 |
| Discharge [DN-PN] | 100-10 |

Materials

| Part | Standard |
|-----------------------|--------------------------------|
| Casing | Cast Iron EN-GJS800 |
| Body | Cast Iron EN-GJL250 |
| Wear Parts | High chrome EN-GJN-HV600 (CH6) |
| Minimum hardness [HB] | 550 |
| Main shaft | High tensile 39NiCrMo3 |
| PH Range | 5-10 |

Seals and lubricants

| Version | - | MG | MS |
|---------------|---|------------|------------|
| Motor Side | - | MECHANICAL | MECHANICAL |
| Impeller Side | - | LIPS | MECHANICAL |
| Oil type | - | ISO32 | ISO32 |

Electrical motor

| Insulation class H

Cable

| 1 x SHD-GC cable 15m (50ft)

Operating Conditions

- | Max liquid temperature 35°C
- | Min Submersion depth 1510 mm