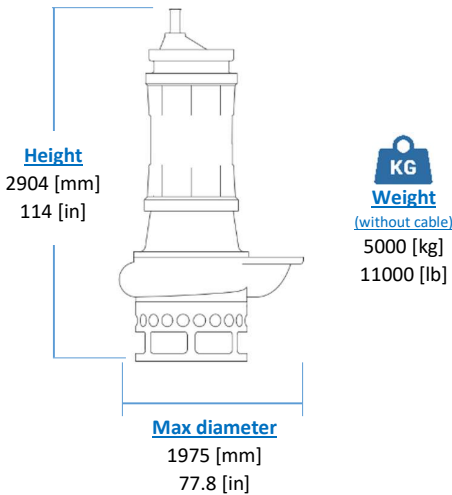
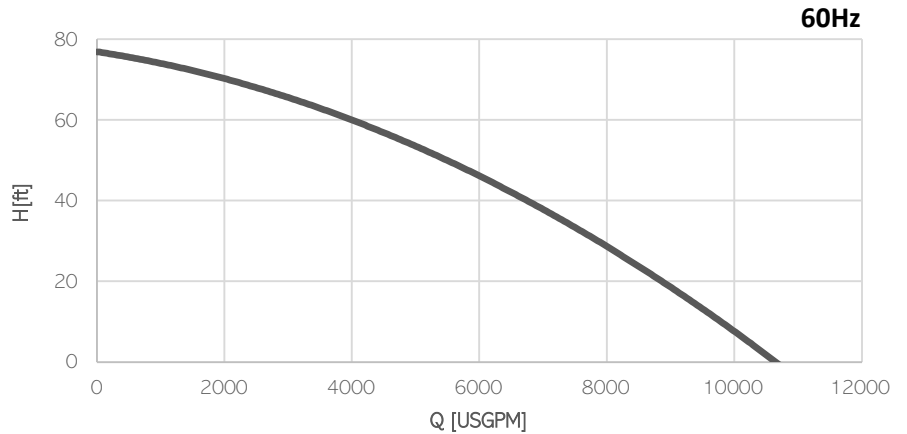


ELECTRIC PUMP EL150HC



Model	EL150 HC
Brake Power [kW HP]	110 147
Electric Power [kW HP]	120 161
Efficiency [%]	60
Frequency [Hz]	60%
Number of Poles	10
RPM	700
Voltage [V]	575
Rated Current [A]	150
Solid handling [mm in]	120 4.7
Discharge [DN PN]	450 PN10

Materials

Part	Standard
Casing	Cast Iron EN-GJS500
Body	Cast Iron EN-GJS500
Wear Parts	High chrome EN-GJN-HV600 (CH6)
Minimum hardness [HB]	550
Main shaft	High tensile 39NiCrMo3
PH Range	5-10

Seals and lubricants

Version	STANDARD	MG
Motor Side	LIPS	MECHANICAL
Impeller Side	LIPS	LIPS
Oil type	EP320	ISO32

Electrical motor

Insulation class H

Cable

1 x SHD-GC cable 15m (50ft)

Operating Conditions

- Max liquid temperature 35°C
- Min Submersion depth 2300mm