

4414T-F18



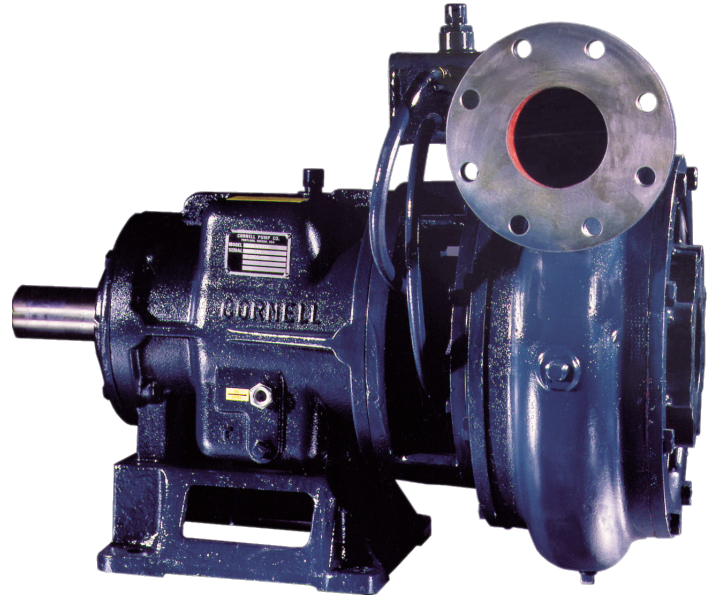
***NOW AVAILABLE IN CD4MCu**

AVAILABLE MOUNTING CONFIGURATIONS

- 4414T-F FRAME MOUNT
- 4414T-RP-F REDI-PRIME FRAME MOUNT
- 4414T-EM ENGINE MOUNT
- 4414T-RP-EM REDI-PRIME ENGINE MOUNT
- 4414T-VC VERTICAL COUPLED
- 4414T-VF VERTICAL FRAME MOUNT

OPERATING LEVELS

MIN FLOW	200 GPM	45.4 m ³ /h
MAX FLOW	1300 GPM	295 m ³ /h
DISCHARGE SIZE	4"	102 mm
SUCTION SIZE	4"	102 mm
SOLIDS HANDLING	3"	76.2mm mm
MAX SPEED	1800 RPM	1800 RPM
SHUT-OFF HEAD	252'	76.8 m
BEP HEAD	175'	53 m
BEP FLOW	1300 GPM	295 m ³ /h
BEP PERCENT	78%	78%



A typical picture of the pump is shown. Please contact Cornell Pump Company for further details. All information is approximate and for general guidance only.

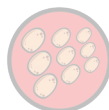
PARTS	STANDARD MATERIAL (ALL IRON)	CD4MCU
WEAR RING	CAST IRON	CD4MCU
IMPELLER	CAST IRON	CD4MCU
VOLUTE	DUCTILE IRON	CD4MCU
SHAFT	STRESSPROOF STEEL	17-4PH
SHAFT SLEEVE	416 STAINLESS STEEL	CD4MCU
BACKPLATE	CAST IRON	CD4MCU
MECHANICAL SEAL	TUNGSTEN CARBIDE VS. SILICON CARBIDE	TUNGSTEN CARBIDE VS. SILICON CARBIDE
BEARING FRAME	CAST IRON	CAST IRON

The 4414T pump is designed with Cornell's renowned quality and durability. It features a 4" discharge, 4" suction, and enclosed impeller. Available in All Iron or CD4MCu materials. Cornell's patented Cycloseal® design is standard, with a Type 1 or 2 single mechanical seal with Buna-N elastomers, stainless steel hardware and tungsten carbide vs. silicon carbide seal faces for abrasion resistance.

- High Efficiency
- Cycloseal Sealing System
- Low NPSHr
- Robust Construction
- Long Bearing life
- Can be fitted with cutters without dimension changes
- Two year warranty



AGRICULTURE



FOOD



INDUSTRIAL



MINING



MUNICIPAL



OIL & GAS



REFRIGERATION

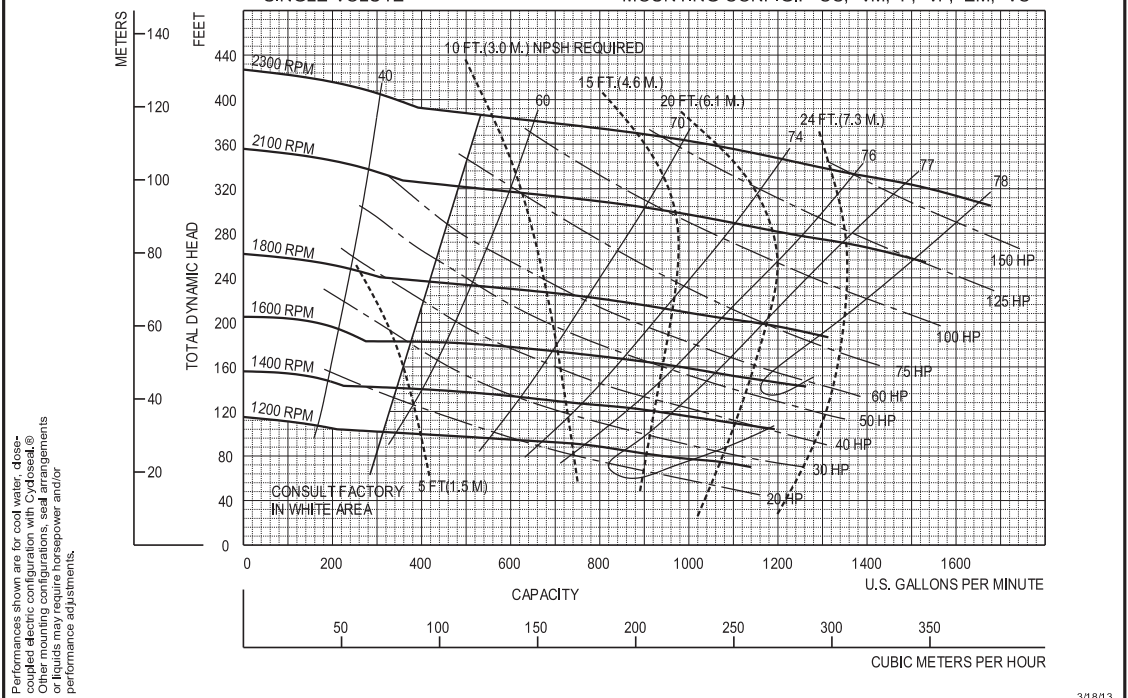


RENTAL

4414T-F18



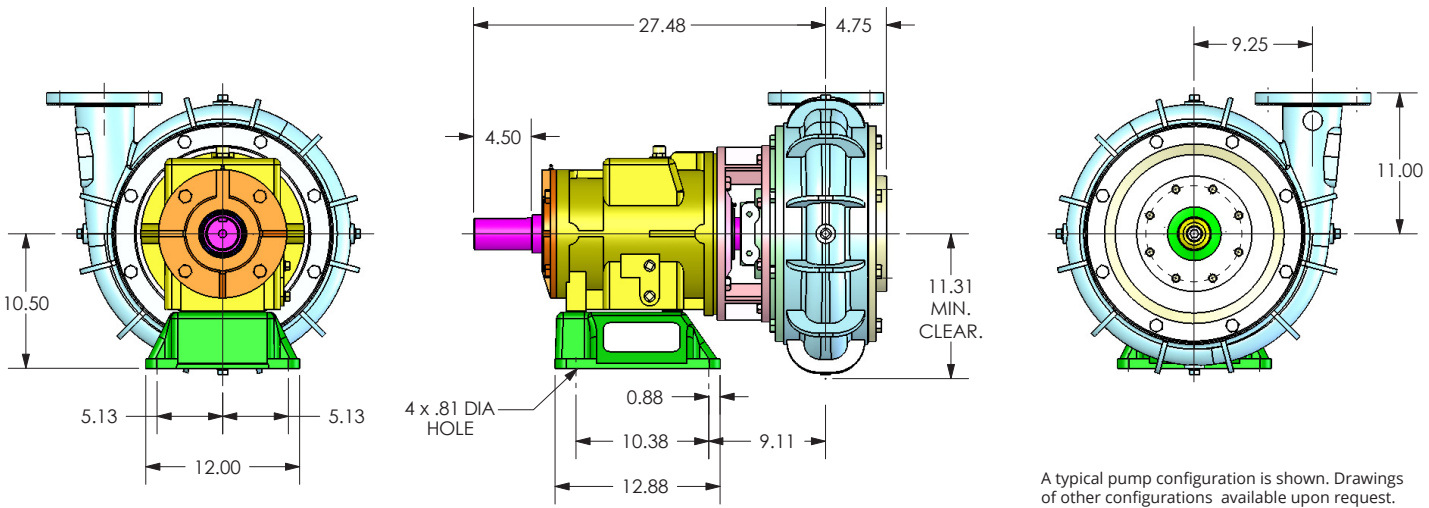
Speed	Impeller Dia.	Style	Solids Dia.	N _S	Suction	Discharge	No. vanes
VARIOUS	14"	ENCLOSED	3'	1310	4"	4"	2



NEW PAGE

4414T-V1

Cornell Pump Company • Portland, Oregon 4414T - VARIOUS RPM



A typical pump configuration is shown. Drawings of other configurations available upon request.

DS196-1511-GE