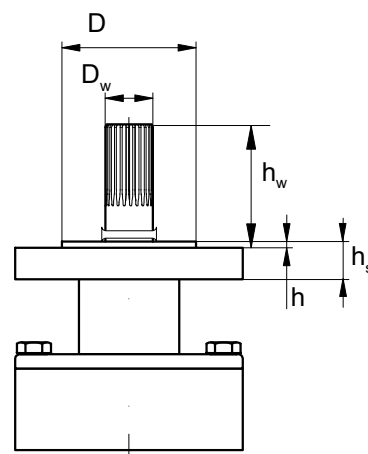
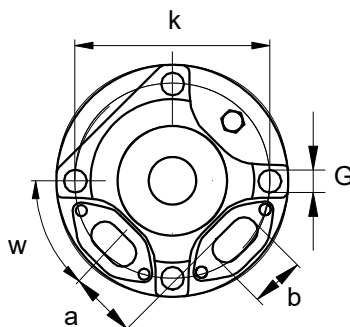
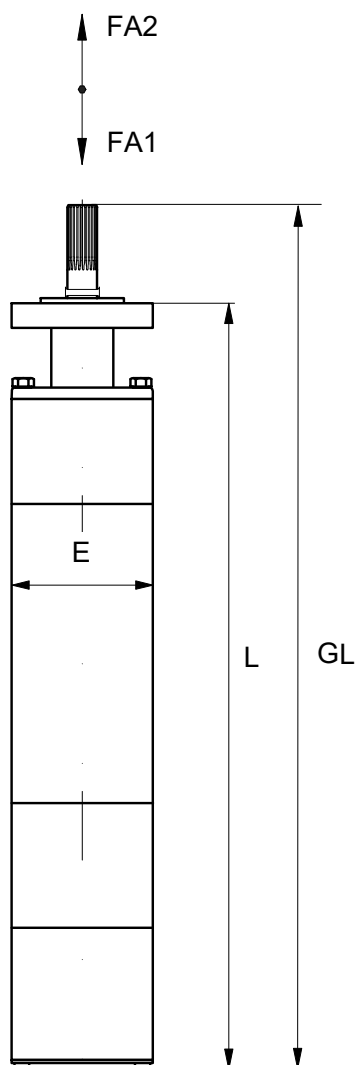


Motor

| | | | |
|-------------------|---------------------------|-----------------------|---------------|
| Motor execution | Submersible motor-8"-50°C | Rated power | 90 kW |
| Motor type | 8MX-9000/XP | Rated current | 124 A |
| Frame size | 8 Inch | Power factor | 0.84 |
| Winding execution | rewindable | Efficiency | 86 % |
| Rated voltage | 575 V | Motor cable | 4 m 1 fl 4G25 |
| Frequency | 60 Hz | Cooling flow | 1.00 m/s |
| Speed | 3440 1/min | Degree of protection | IP 68 |
| Starting mode | DOL or inverter | | |
| | | Installation length L | mm 1602 |
| | | Weight | kg 202 |

Materials

| | |
|-------------------|--------------------------|
| Motor casing | Stainless steel / 1.4571 |
| Shaft | Stainless steel / 1.4462 |
| Radial bearing | Steel / carbon |
| Axial bearing | Steel / carbon |
| Winding wire | PE2/PA |
| Mechanical seal | SiC / SiC |
| Connection flange | Stainless steel / 1.4571 |
| Fasteners | Stainless steel / 1.4401 |



| Dimensions | Value |
|------------|-------|
| E | 181 |
| FA1 | 45 kN |
| FA2 | 1 kN |
| GL | 1704 |
| L | 1602 |
| a | 58 |
| b | 44 |
| D | ø127 |
| Dw | ø38,1 |
| G | ø18 |
| h | 5 |
| hs | 25 |
| hw | 101,5 |
| k | ø152 |
| w | 45° |