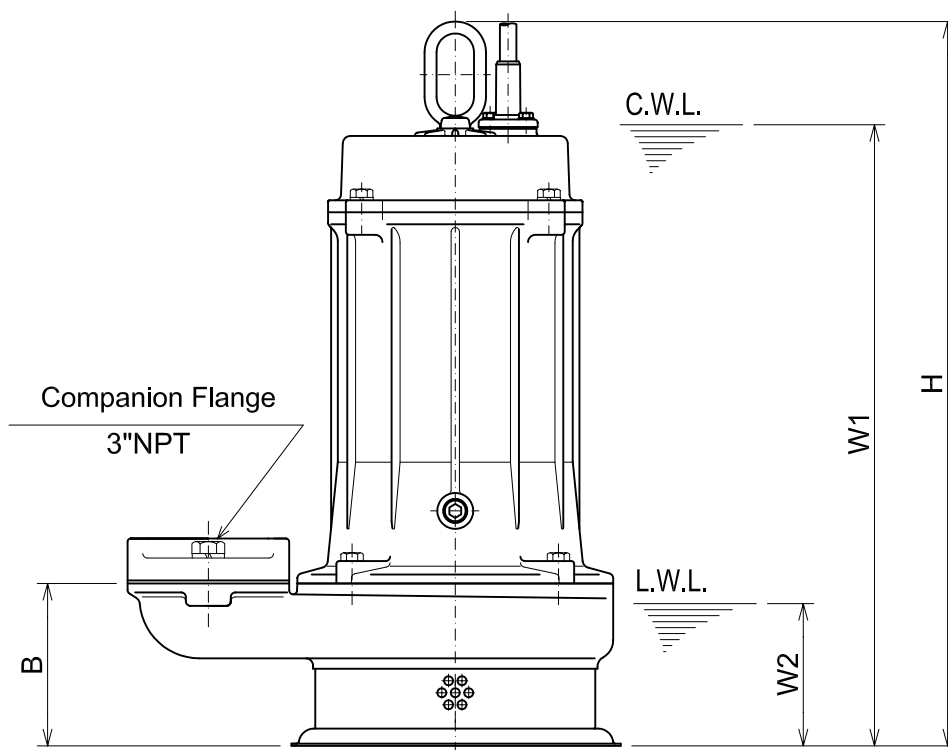
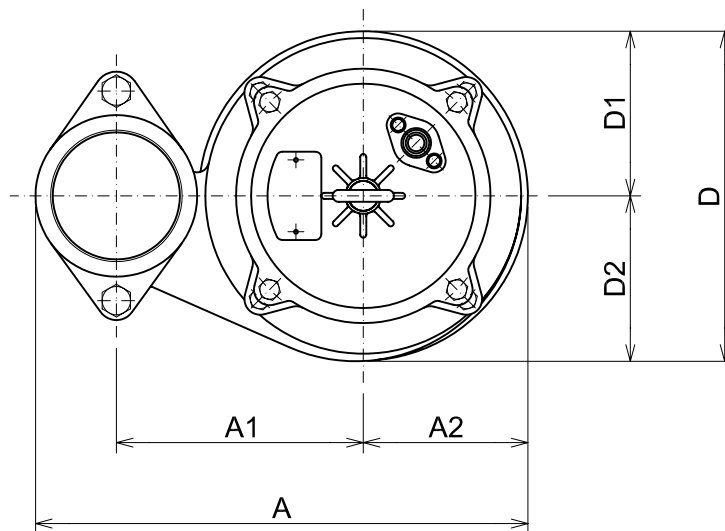




SFQ-SERIES
ALL316SS - DEWATERING PUMPS

DIMENSIONS

80SFQ21.5 -62



C.W.L. :Continuous running Water Level
L.W.L. :Lowest running Water Level

DIMENSIONS:USCS(Inch)

Model	HP	NOM. SIZE	Pump & Motor								C.W.L. W1	L.W.L. W2	Wt. (lbs.)
			A	A1	A2	B	D	D1	D2	H			
80SFQ21.5 -62	2	3"	12 15/16	6 1/2	4 5/16	4 5/16	8 11/16	4 5/16	4 3/8	19 1/16	16 3/8	3 3/4	79

DIMENSIONS:METRIC(mm)

Model	kW	NOM. SIZE	Pump & Motor								C.W.L. W1	L.W.L. W2	Wt. (kg)
			A	A1	A2	B	D	D1	D2	H			
80SFQ21.5 -62	1.5	80	329	165	110	109	221	110	111	484	415	95	36