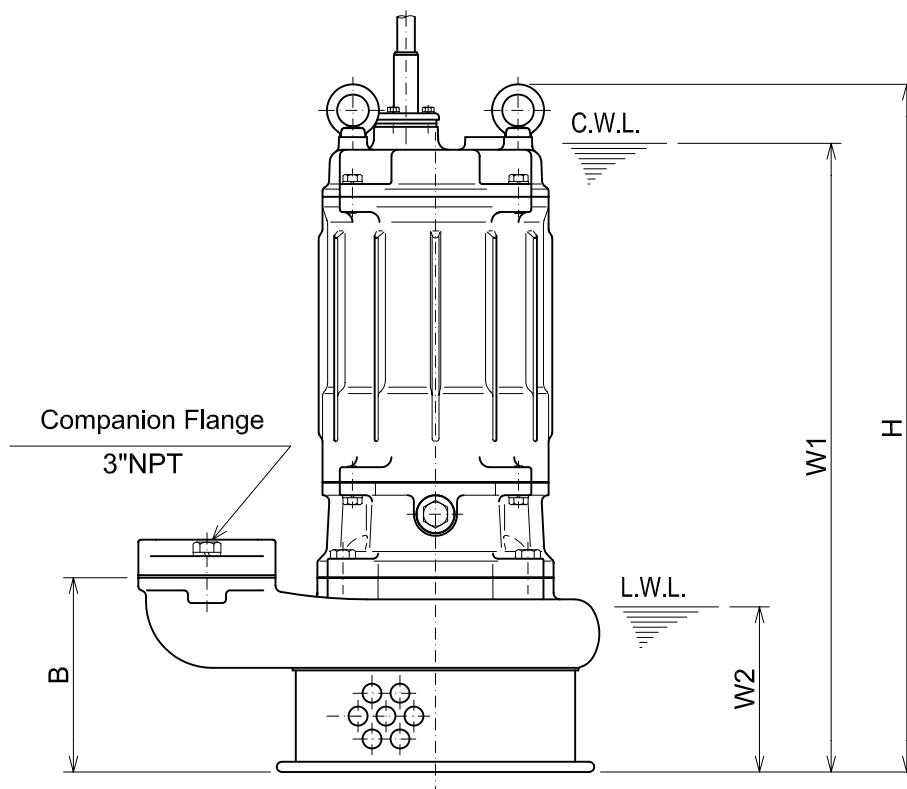
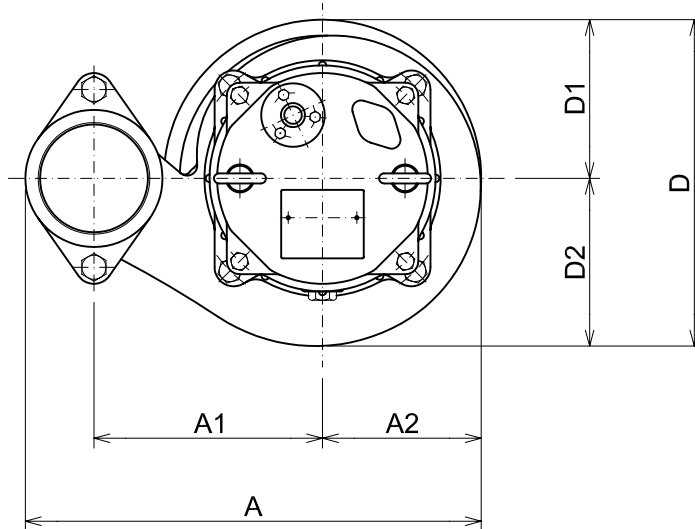




SFQ-SERIES
ALL316SS - DEWATERING PUMPS

DIMENSIONS

80SFQ23.7 -63



Companion Flange
3"NPT

C.W.L. :Continuous running Water Level
L.W.L. :Lowest running Water Level

DIMENSIONS:USCS(Inch)

Model	HP	NOM. SIZE	Pump & Motor							C.W.L.	L.W.L.	Wt. (lbs.)	
			A	A1	A2	B	D	D1	D2				H
80SFQ23.7 -63	5	3"	14 1/8	7 1/16	4 15/16	6	10 1/8	4 15/16	5 3/16	21 5/16	19 1/2	5 1/8	115

DIMENSIONS:METRIC(mm)

Model	kW	NOM. SIZE	Pump & Motor							C.W.L.	L.W.L.	Wt. (kg)	
			A	A1	A2	B	D	D1	D2				H
80SFQ23.7 -63	3.7	80	359	180	125	153	257	125	132	542	495	130	52