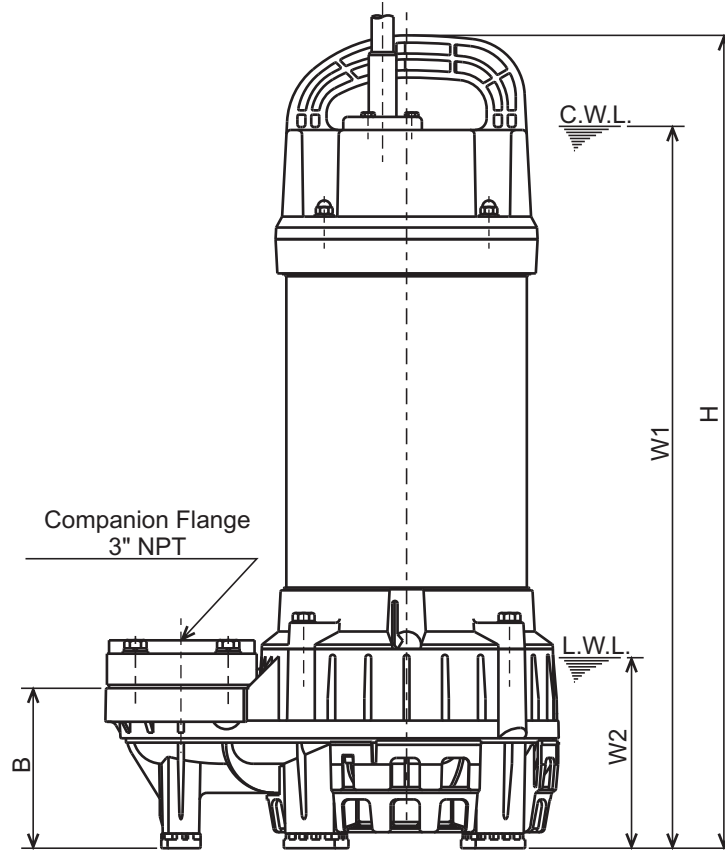
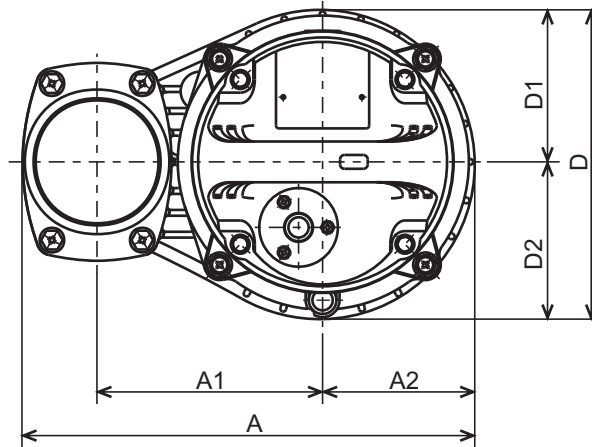




VANCS - SERIES - TM
(FRP) SEMI-VORTEX - SEAWATER PUMPS

DIMENSIONS

80TM22.2-61
80TM23.7-61



C.W.L. : Continuous running Water Level
L.W.L. : Lowest running Water Level

DIMENSIONS:USCS (Inch)

Model	HP	NOM. SIZE	Pump & Motor								C.W.L. W1	L.W.L. W2	Wt. (lbs.)
			A	A1	A2	B	D	D1	D2	H			
80TM22.2-61	3	3"	12 1/4	6 1/8	4 1/8	4 5/16	8 3/8	4 1/8	4 1/4	22	19 5/8	5 1/8	46
80TM23.7-61	5	3"	12 1/4	6 1/8	4 1/8	4 5/16	8 3/8	4 1/8	4 1/4	23 3/8	21 1/8	5 1/8	57

DIMENSIONS:METRIC (mm)

Model	kW	NOM. SIZE	Pump & Motor								C.W.L. W1	L.W.L. W2	Wt. (kg)
			A	A1	A2	B	D	D1	D2	H			
80TM22.2-61	2.2	80	311	155	105	110	212	104	108	559	500	130	21
80TM23.7-61	3.7	80	311	155	105	110	212	104	108	594	535	130	26