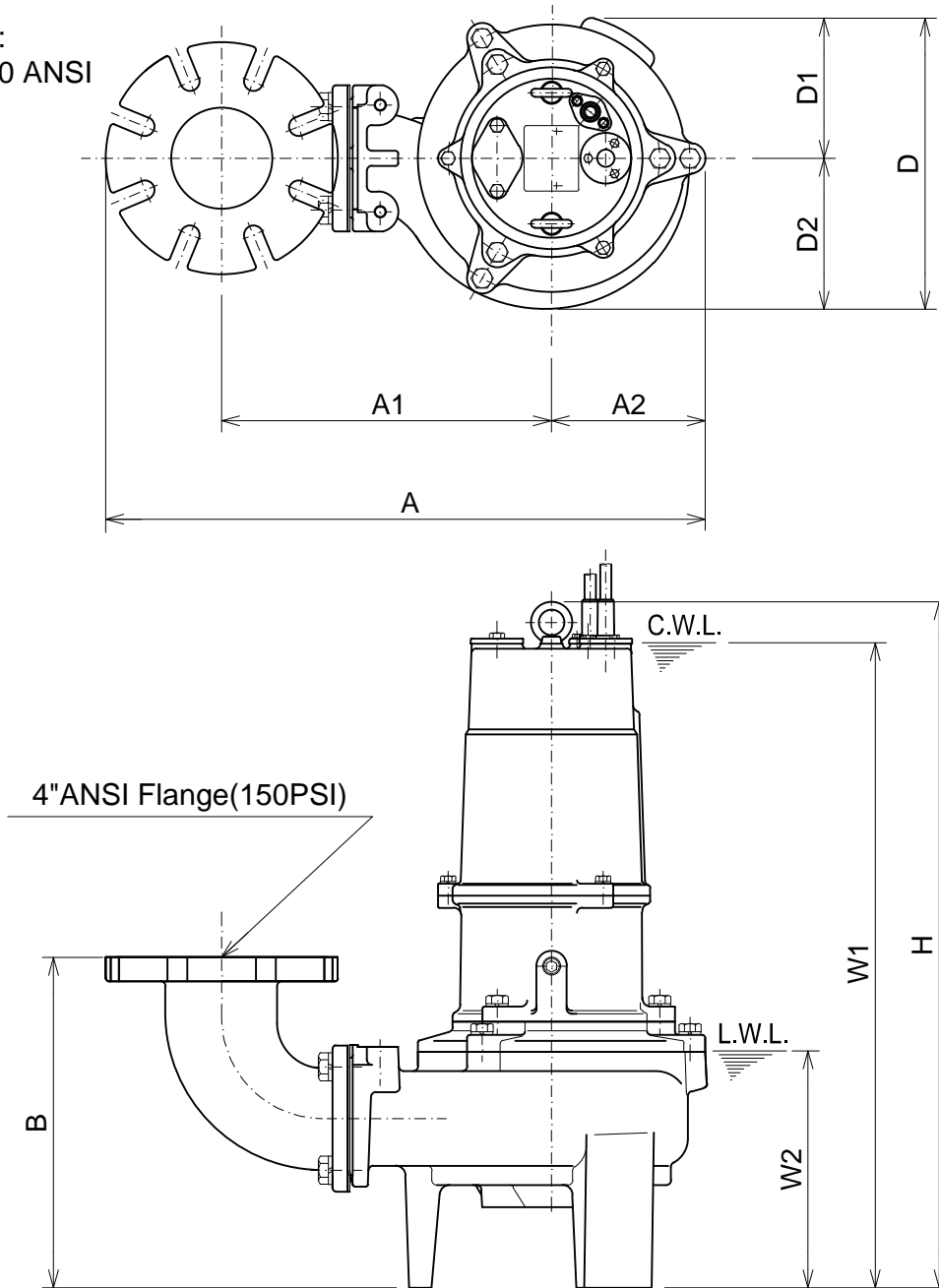


<b>TSURUMI PUMP</b>	<b>BZ-SERIES</b> <b>SEWAGE &amp; WASTEWATER PUMPS</b>	<b>DIMENSIONS</b>
---------------------	--	-------------------

**100BZ43.7 -61**

Bend model:  
BEND80-100 ANSI



C.W.L. :Continuous running Water Level  
L.W.L. :Lowest running Water Level

**DIMENSIONS:USCS(Inch)**

Model	HP	NOM. SIZE	Pump & Motor								C.W.L.	L.W.L.	*Wt.
			A	A1	A2	B	D	D1	D2	H	W1	W2	(lbs.)
100BZ43.7 -61	5	4"	23 3/4	13 1/4	6	12 15/16	11 3/8	5 1/2	5 7/8	26 13/16	25 1/4	9 1/4	214

**DIMENSIONS:METRIC(mm)**

\*Excluding Cable.

Model	kW	NOM. SIZE	Pump & Motor								C.W.L.	L.W.L.	*Wt.
			A	A1	A2	B	D	D1	D2	H	W1	W2	(kg)
100BZ43.7 -61	3.7	100	604	337	153	328	289	139	150	681	640	235	97