

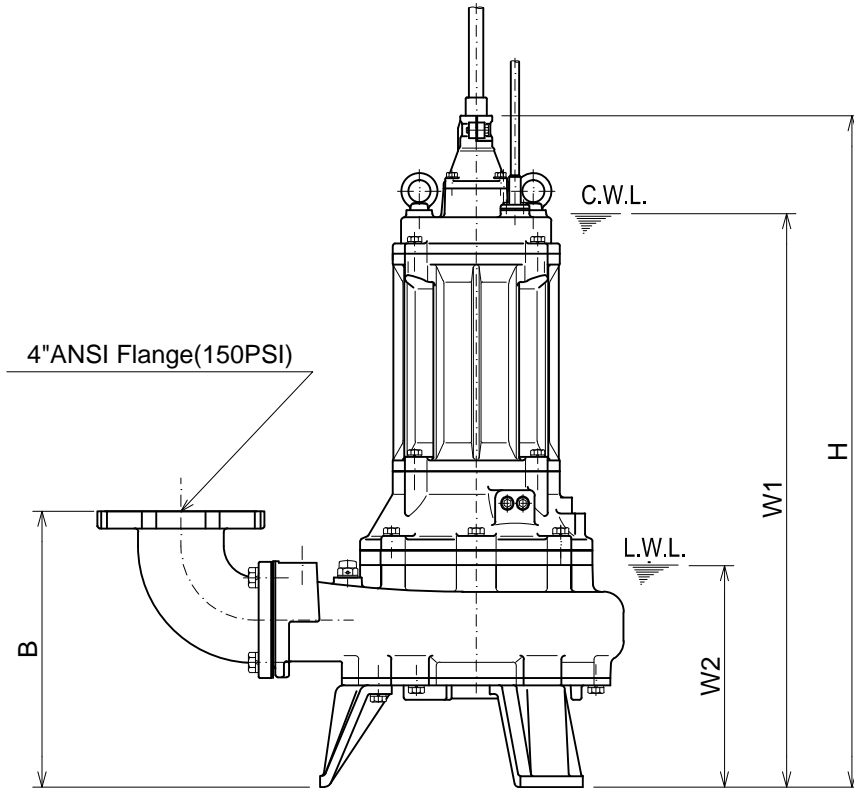
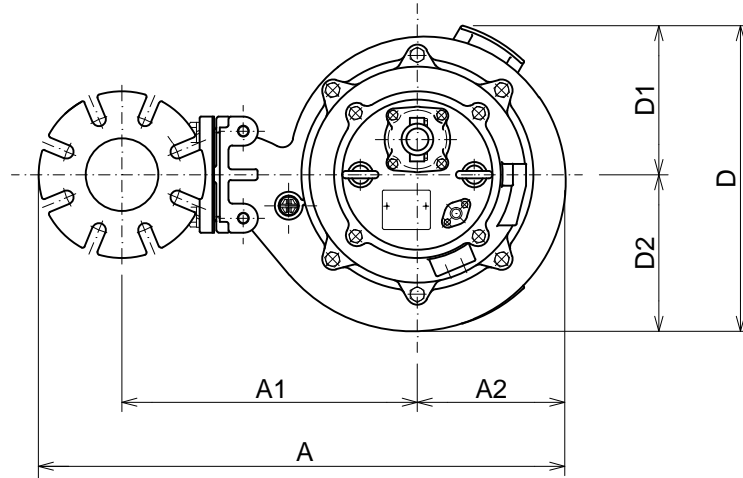


**BZ-SERIES**  
**SEWAGE & WASTEWATER PUMPS**

**DIMENSIONS**

**100BZ45.5 -63**  
**100BZ47.5 -63**

Bend model:  
BEND100-100 ANSI



C.W.L. :Continuous running Water Level  
L.W.L. :Lowest running Water Level

**DIMENSIONS:USCS(Inch)**

Model	HP	NOM. SIZE	Pump & Motor								C.W.L.	L.W.L.	*Wt. (lbs.)
			A	A1	A2	B	D	D1	D2	H			
100BZ45.5 -62	7.5	4"	29	16 7/16	8 1/16	14 15/16	16 9/16	8 1/16	8 1/2	36 7/16	31 1/8	12	375
100BZ47.5 -62	10	4"	29	16 7/16	8 1/16	14 15/16	16 9/16	8 1/16	8 1/2	37 1/4	32 1/4	12	417

**DIMENSIONS:METRIC(mm)**

Model	kW	NOM. SIZE	Pump & Motor								C.W.L.	L.W.L.	*Wt. (kg)
			A	A1	A2	B	D	D1	D2	H			
100BZ45.5 -62	5.5	100	736	417	204	380	421	205	216	925	790	305	170
100BZ47.5 -62	7.5	100	736	417	204	380	421	205	216	946	820	305	189

\*Excluding Cable.