

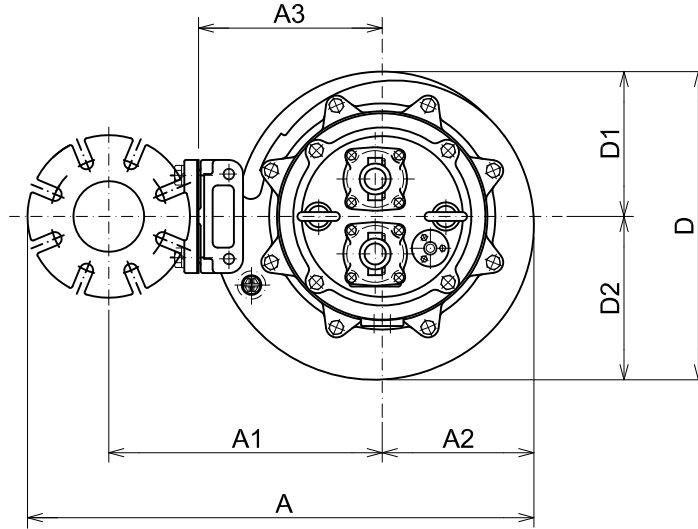


TSURUMI PUMP

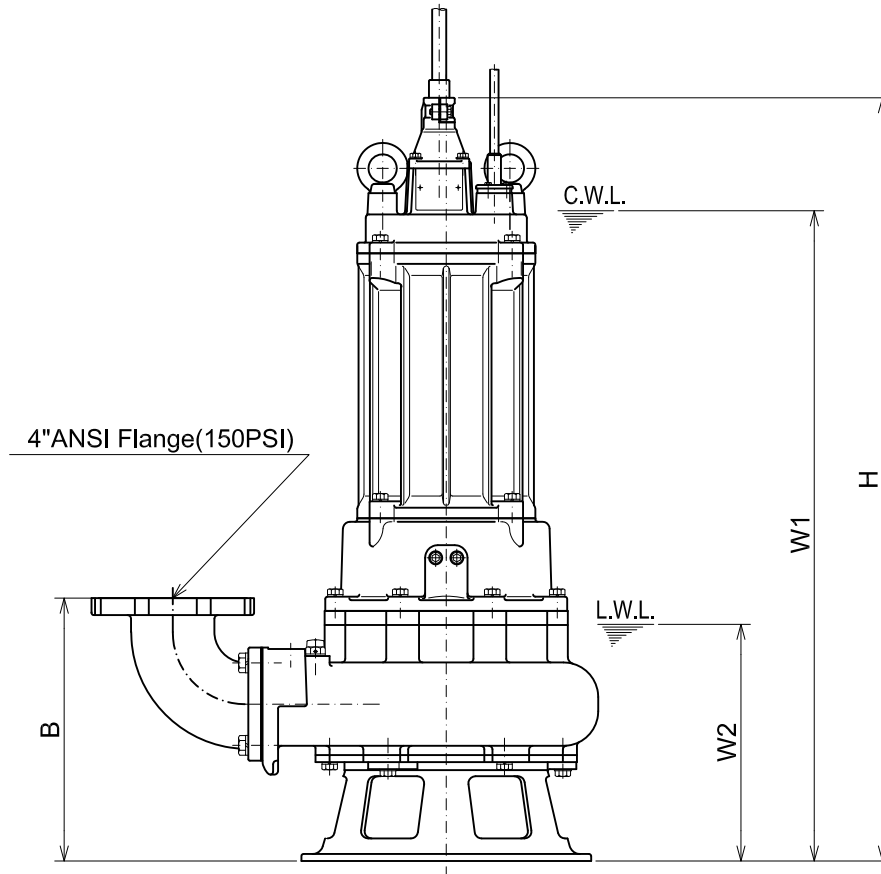
**C-SERIES
CUTTER - TYPE - SEWAGE & WASTEWATER PUMPS**

DIMENSIONS

Bend model:
BEND100-100 ANSI



100C415-CR -63



C.W.L. :Continuous running Water Level
L.W.L. :Lowest running Water Level

DIMENSIONS:USCS(Inch)

Model	HP	NOM. SIZE	Pump & Motor									C.W.L. W1	L.W.L. W2	*Wt. (lbs.)
			A	A1	A2	A3	B	D	D1	D2	H			
100C415-CR -63	20	4"	28 5/8	15 5/8	8 7/16	10 1/4	14 5/8	17 3/16	8 1/16	9 1/8	42 1/2	36 1/4	13 1/4	496

DIMENSIONS:METRIC(mm)

Model	kW	NOM. SIZE	Pump & Motor									C.W.L. W1	L.W.L. W2	*Wt. (kg)
			A	A1	A2	A3	B	D	D1	D2	H			
100C415-CR -63	15	100	727	397	215	260	372	436	205	231	1080	920	335	225

*Excluding Cable.