

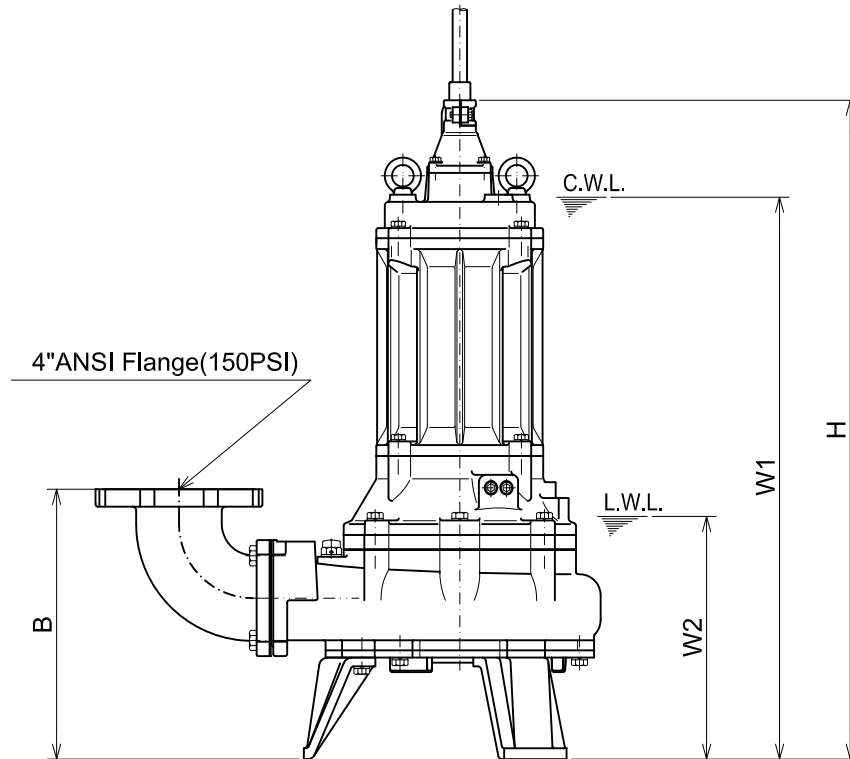
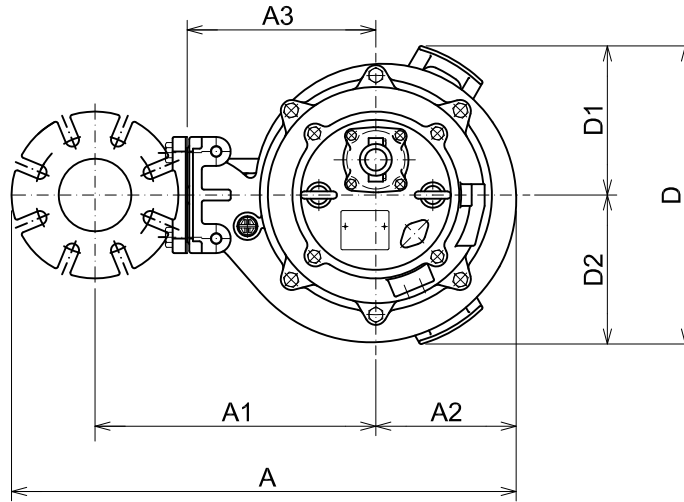


**C-SERIES
CUTTER - TYPE - SEWAGE & WASTEWATER PUMPS**

DIMENSIONS

**100C45.5-CR -63
100C47.5-CR -63**

Bend model:
BEND100-100 ANSI



C.W.L. :Continuous running Water Level
L.W.L. :Lowest running Water Level

DIMENSIONS:USCS(Inch)

Model	HP	NOM. SIZE	Pump & Motor									C.W.L. W1	L.W.L. W2	*Wt. (lbs.)
			A	A1	A2	A3	B	D	D1	D2	H			
100C45.5-CR -63	7.5	4"	27 13/16	15 5/8	7 5/8	10 1/4	14 5/8	16 1/8	8 1/16	8 1/16	35 3/4	30 1/2	13 1/4	298
100C47.5-CR -63	10	4"	27 13/16	15 5/8	7 5/8	10 1/4	14 5/8	16 1/8	8 1/16	8 1/16	36 9/16	31 1/2	13 1/4	340

*Excluding Cable.

DIMENSIONS:METRIC(mm)

Model	kW	NOM. SIZE	Pump & Motor									C.W.L. W1	L.W.L. W2	*Wt. (kg)
			A	A1	A2	A3	B	D	D1	D2	H			
100C45.5-CR -63	5.5	100	706	397	194	260	372	410	205	205	908	775	335	135
100C47.5-CR -63	7.5	100	706	397	194	260	372	410	205	205	929	800	335	154