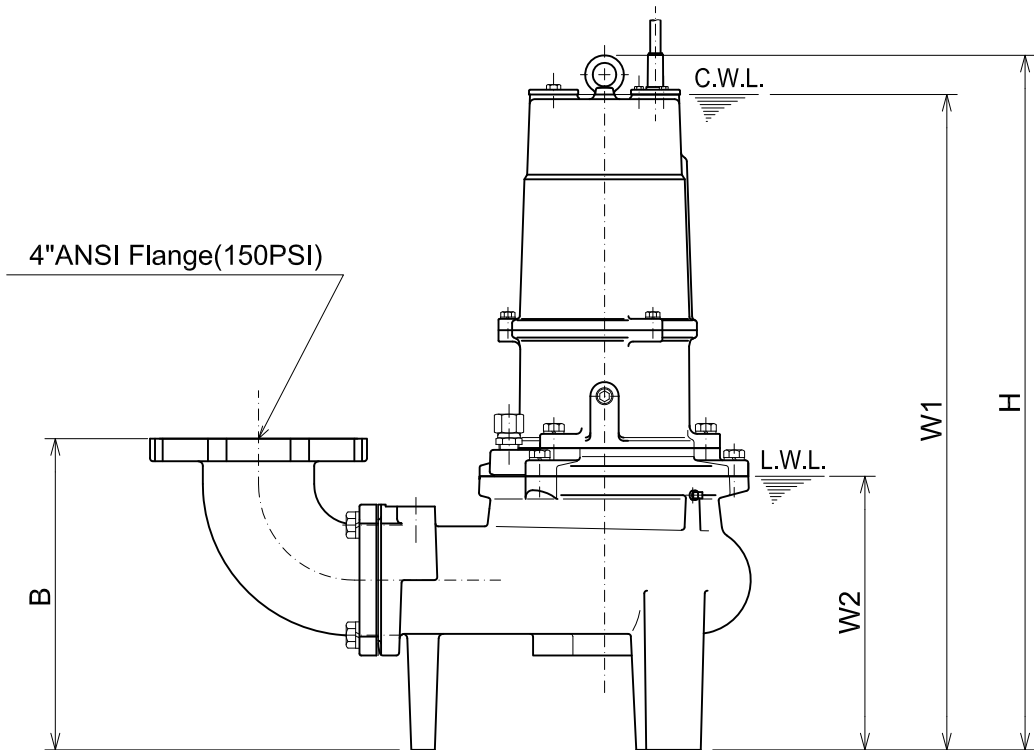
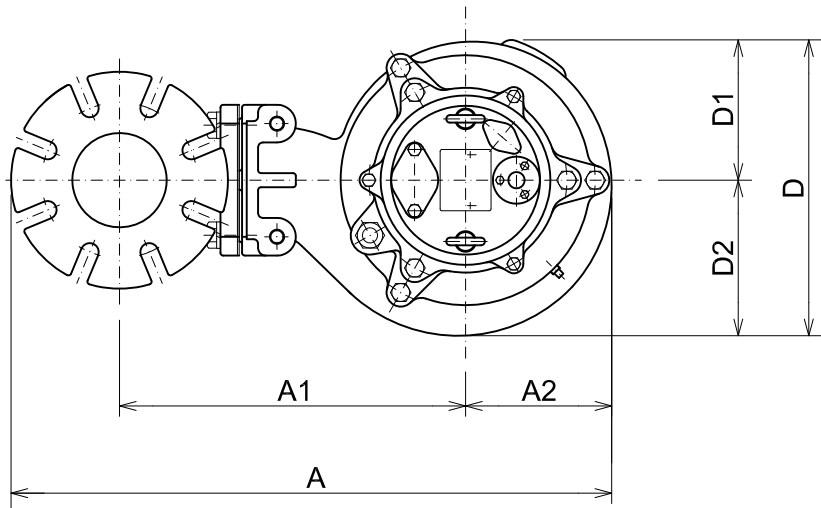


**100UZ43.7 -61**

Bend model:  
 BEND100-100 ANSI



C.W.L. :Continuous running Water Level  
 L.W.L. :Lowest running Water Level

**DIMENSIONS:USCS(Inch)**

Model	HP	NOM. SIZE	Pump & Motor								C.W.L. W1	L.W.L. W2	*Wt. (lbs.)
			A	A1	A2	B	D	D1	D2	H			
100UZ43.7 -61	5	4"	25 1/2	14 13/16	6 1/8	13	12 3/8	5 7/8	6 1/2	29	27 3/8	11 3/8	163

**DIMENSIONS:METRIC(mm)**

Model	kW	NOM. SIZE	Pump & Motor								C.W.L. W1	L.W.L. W2	*Wt. (kg)
			A	A1	A2	B	D	D1	D2	H			
100UZ43.7 -61	3.7	100	647	377	155	330	314	149	165	737	695	290	74

\*Excluding Cable.