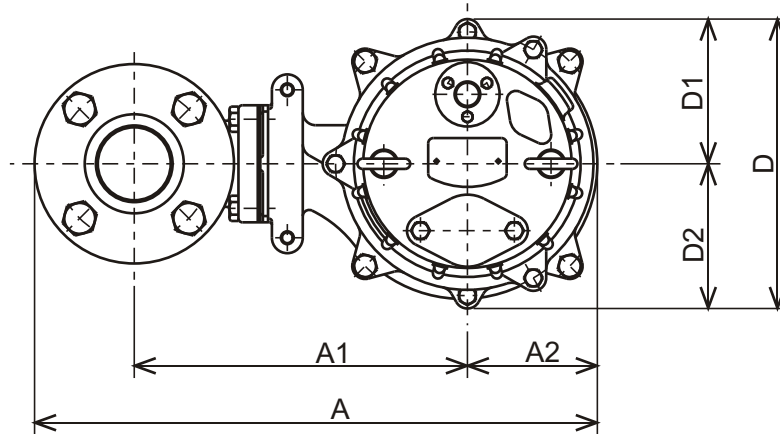


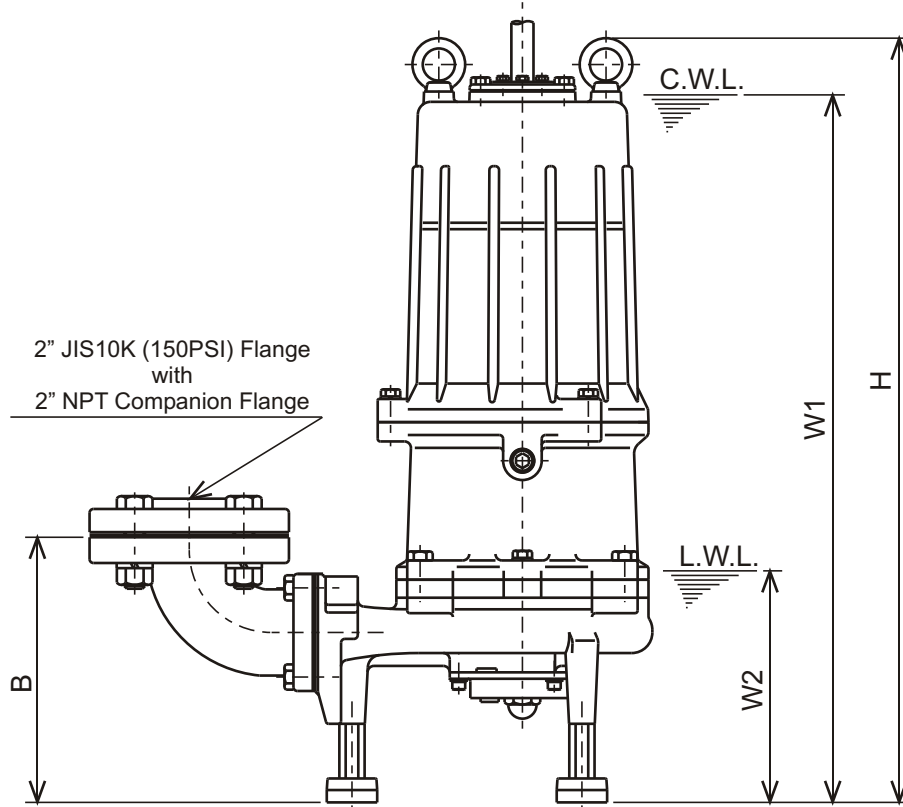


**MG - SERIES  
GRINDER PUMPS**

**DIMENSIONS**



**50MG22.2-63  
50MG23.7-63**



C.W.L. : Continuous running Water Level  
L.W.L. : Lowest running Water Level

**DIMENSIONS:USCS (Inch)**

Model	HP	NOM. SIZE	Pump & Motor								C.W.L. W1	L.W.L. W2	Wt. (lbs.)
			A	A1	A2	B	D	D1	D2	H			
50MG22.2-63	3	2"	17 1/4	10 3/16	4	8 1/8	8 7/8	4 7/16	4 7/16	23 3/8	21 5/8	7 1/8	170
50MG23.7-63	5	2"	17 1/4	10 3/16	4	8 1/8	8 7/8	4 7/16	4 7/16	23 3/8	21 5/8	7 1/8	172

**DIMENSIONS:METRIC (mm)**

Model	kW	NOM. SIZE	Pump & Motor								C.W.L. W1	L.W.L. W2	Wt. (kg)
			A	A1	A2	B	D	D1	D2	H			
50MG22.2-63	2.2	50	438	259	101	206	226	113	113	594	550	180	77
50MG23.7-63	3.7	50	438	259	101	206	226	113	113	594	550	180	78