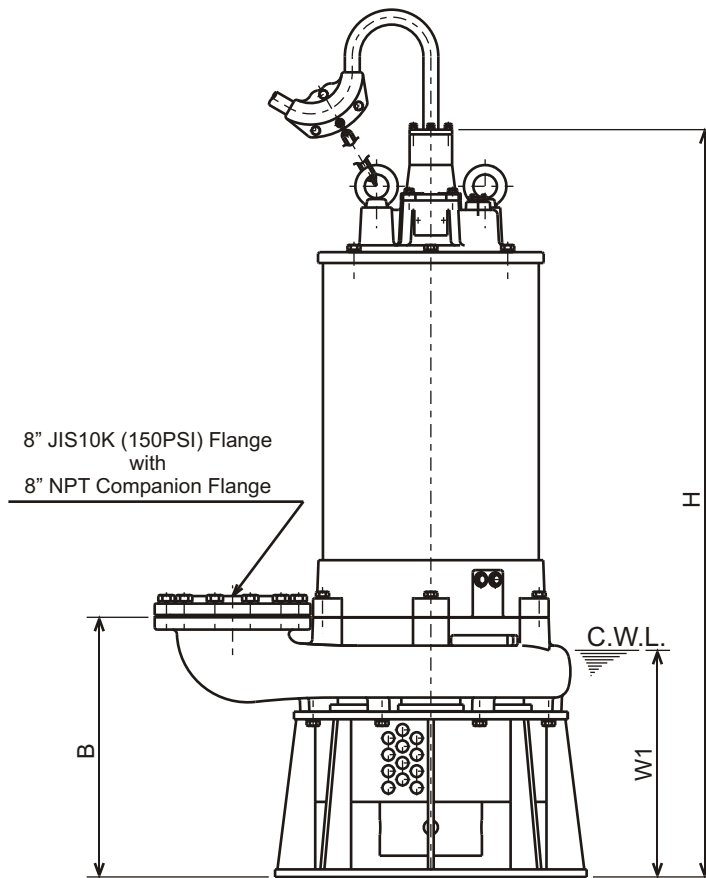
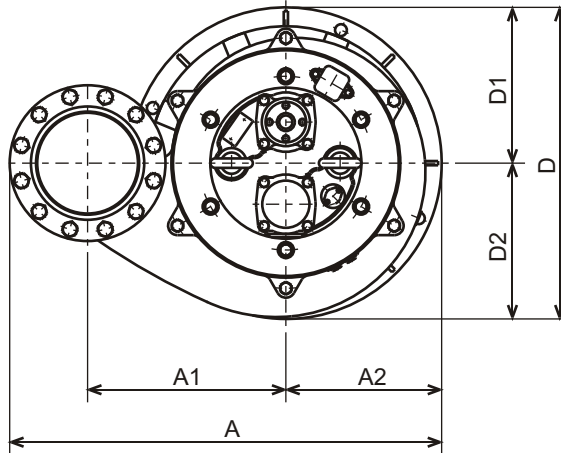




**GSD SERIES**  
HIGH VOLUME - SUBMERSIBLE AGITATOR PUMPS

**DIMENSIONS**

**GSD-37-4**



C.W.L. : Continuous running Water Level

**DIMENSIONS:USCS (Inch)**

Model	HP	NOM. SIZE	Pump & Motor								C.W.L. W1	*Wt. (lbs.)
			A	A1	A2	B	D	D1	D2	H		
GSD-37-4	50	8"	36	16 9/16	13	21 5/8	26	13	13	62 5/16	18 7/8	1290

**DIMENSIONS:METRIC (mm)**

\*Excluding Cable

Model	kW	NOM. SIZE	Pump & Motor								C.W.L. W1	*Wt. (kg)
			A	A1	A2	B	D	D1	D2	H		
GSD-37-4	37	200	915	420	330	550	660	330	330	1583	480	585