

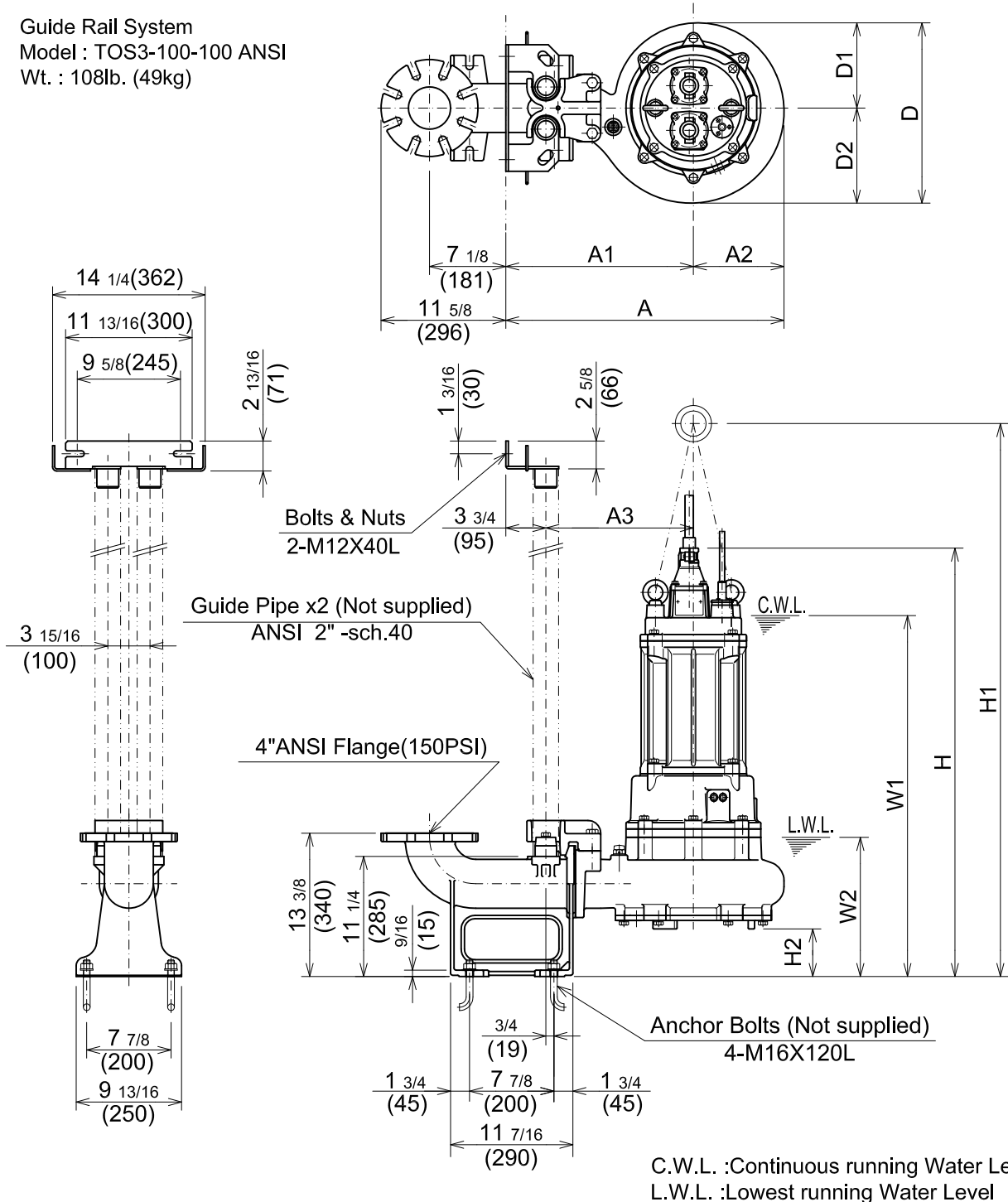


BZ-SERIES
SEWAGE & WASTEWATER PUMPS

DIMENSIONS

TOS100BZ411 -63

Guide Rail System
Model : TOS3-100-100 ANSI
Wt. : 108lb. (49kg)



DIMENSIONS:USCS(Inch)

Model	HP	NOM. SIZE	Pump & Motor									C.W.L. W1	L.W.L. W2	*Wt. (lbs.)	
			A	A1	A2	A3	D	D1	D2	H	H1				H2
TOS100BZ411 -63	15	4"	26	17 1/2	8 7/16	13 3/4	16 7/8	7 15/16	8 7/8	40	51 7/16	4 7/16	33 7/8	13	467

DIMENSIONS:METRIC(mm)

Model	kW	NOM. SIZE	Pump & Motor									C.W.L. W1	L.W.L. W2	*Wt. (kg)	
			A	A1	A2	A3	D	D1	D2	H	H1				H2
TOS100BZ411 -63	11	100	660	445	215	350	428	202	226	1016	1312	113	860	330	212

*Excluding TOS & Cable.