



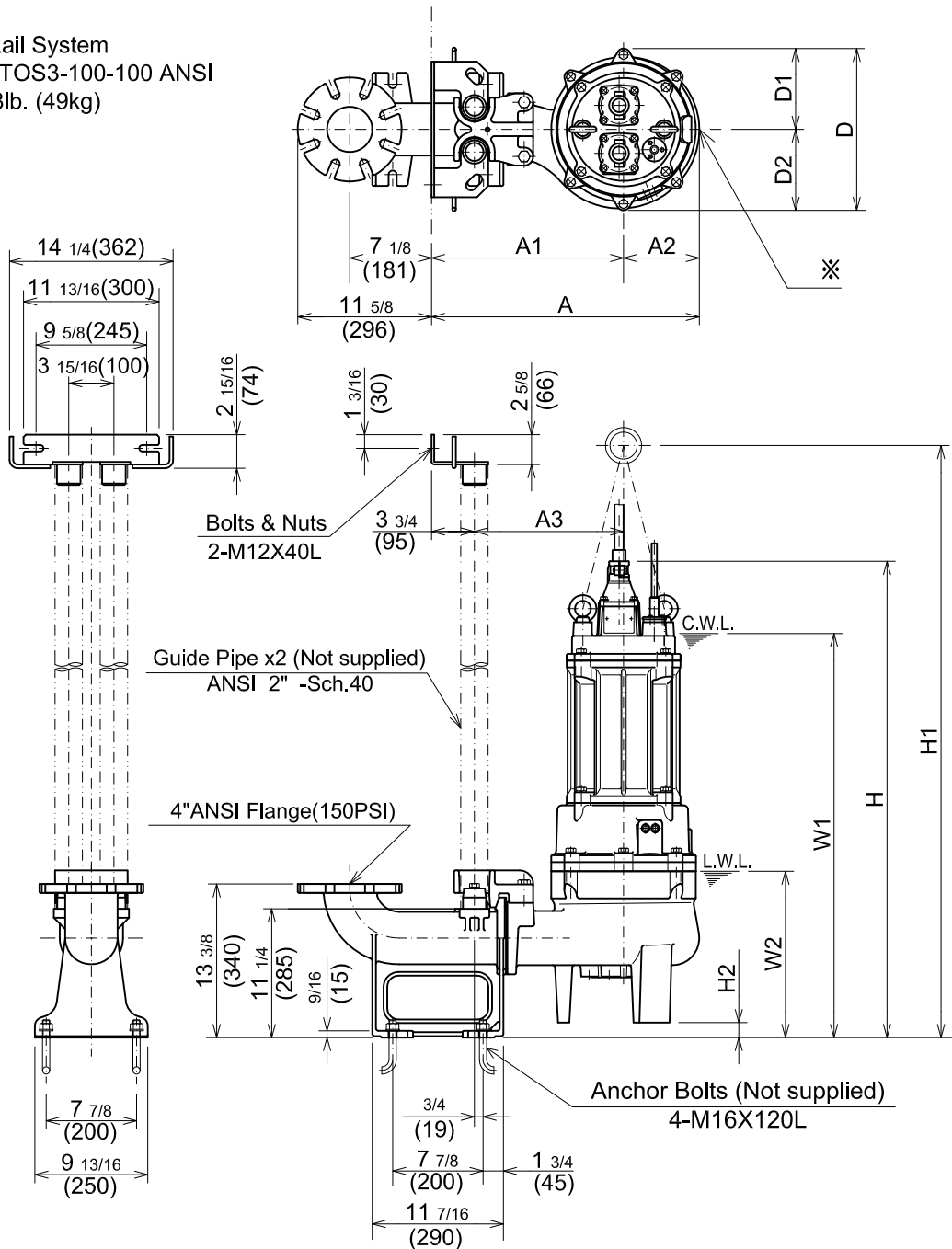
TSURUMI PUMP

UZ-SERIES
VORTEX - SEWAGE & WASTEWATER PUMPS

DIMENSIONS

TOS100UZ411 -64

Guide Rail System
 Model : TOS3-100-100 ANSI
 Wt : 108lb. (49kg)



※An air release hole is provided on the top of the pump casing.

C.W.L. :Continuous running Water Level
 L.W.L. :Lowest running Water Level

DIMENSIONS:USCS(Inch)

Model	HP	NOM. SIZE	Pump & Motor									C.W.L.	L.W.L.	*Wt. (lbs.)	
			A	A1	A2	A3	D	D1	D2	H	H1				H2
TOS100UZ411 -64	15	4"	23 3/8	16 3/4	6 5/8	13	14 1/8	7 1/16	7 1/16	41 1/2	54 1/2	1 5/16	35 1/4	14 5/8	392

DIMENSIONS:METRIC(mm)

Model	kW	NOM. SIZE	Pump & Motor									C.W.L.	L.W.L.	*Wt. (kg)	
			A	A1	A2	A3	D	D1	D2	H	H1				H2
TOS100UZ411 -64	11	100	593	425	168	330	358	179	179	1054	1385	33	895	370	178

*Excluding TOS & Cable.