

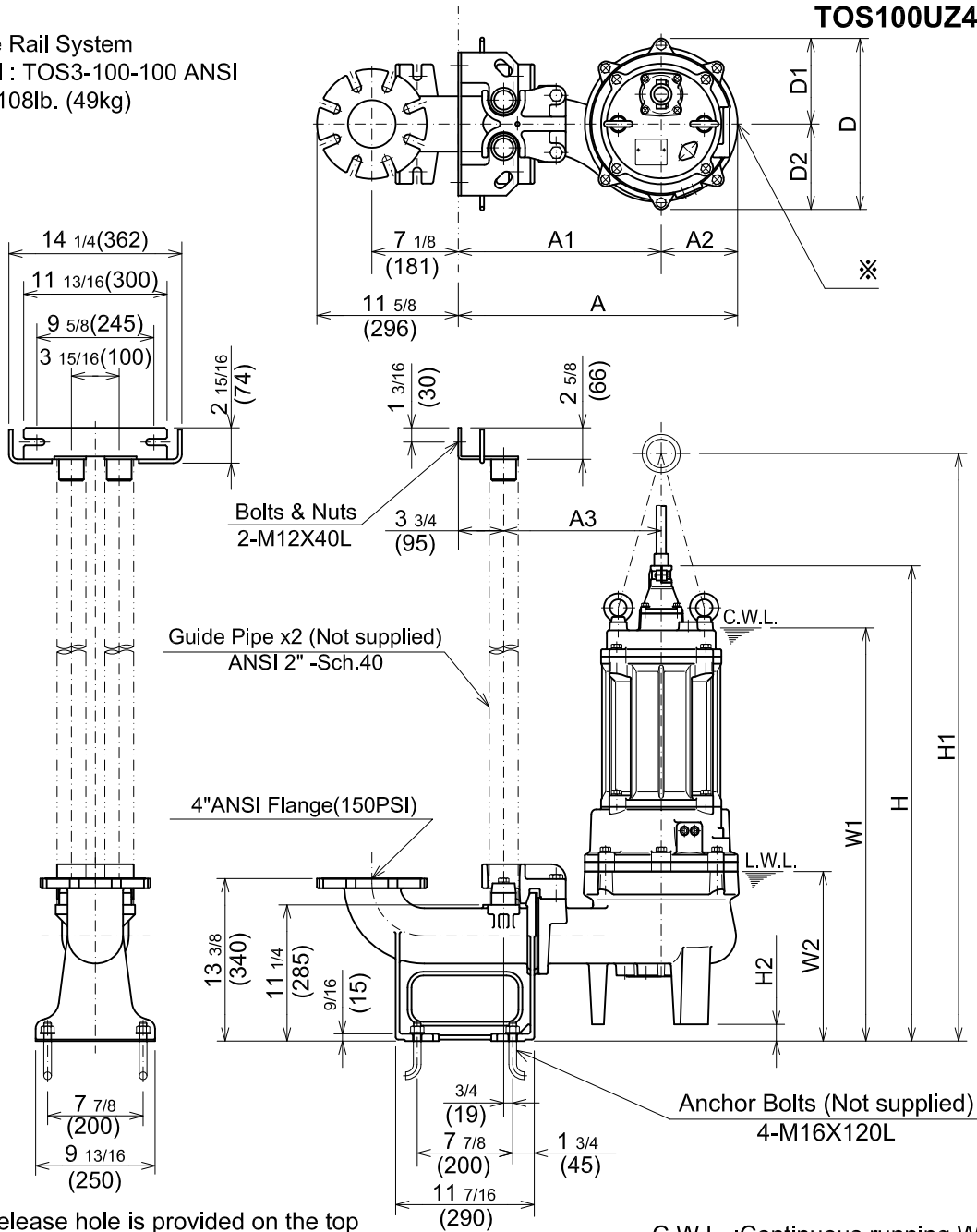


UZ-SERIES
VORTEX - SEWAGE & WASTEWATER PUMPS

DIMENSIONS

TOS100UZ45.5 -64
TOS100UZ47.5 -64

Guide Rail System
 Model : TOS3-100-100 ANSI
 Wt. : 108lb. (49kg)



※An air release hole is provided on the top of the pump casing.

C.W.L. :Continuous running Water Level
 L.W.L. :Lowest running Water Level

DIMENSIONS:USCS(Inch)

Model	HP	NOM. SIZE	Pump & Motor									C.W.L.	L.W.L.	*Wt. (lbs.)	
			A	A1	A2	A3	D	D1	D2	H	H1				H2
TOS100UZ45.5 -64	7.5	4"	23 1/16	16 3/4	6 5/16	13	14 1/8	7 1/16	7 1/16	38 3/8	51 3/8	1 3/8	33 1/4	14	295
TOS100UZ47.5 -64	7.5	4"	23 1/16	16 3/4	6 5/16	13	14 1/8	7 1/16	7 1/16	39 3/16	52 7/8	1 3/8	34	14	326

DIMENSIONS:METRIC(mm)

Model	kW	NOM. SIZE	Pump & Motor									C.W.L.	L.W.L.	*Wt. (kg)	
			A	A1	A2	A3	D	D1	D2	H	H1				H2
TOS100UZ45.5 -64	5.5	100	585	425	160	330	358	179	179	974	1305	35	845	355	134
TOS100UZ47.5 -64	5.5	100	585	425	160	330	358	179	179	995	1343	35	865	355	148

*Excluding TOS & Cable.