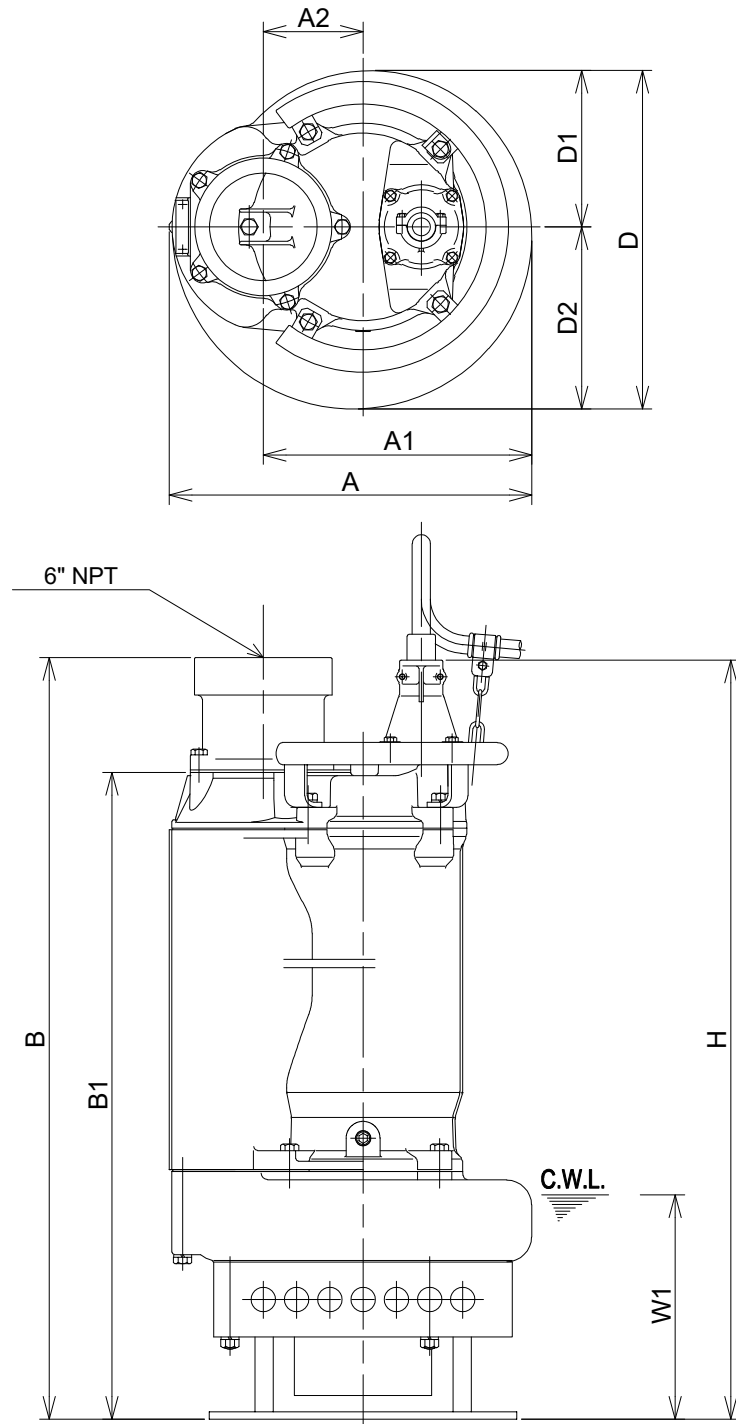


KRD611 -61



C.W.L. :Continuous running Water Level

DIMENSIONS:USCS (Inch)

Model	HP	NOM. SIZE	Pump & Motor									C.W.L.	*Wt.
			A	A1	A2	B	B1	D	D1	D2	H	W1	(lbs.)
KRD611 -61	15	6"	16 7/16	12	4 3/4	35 1/2	30 5/8	14 15/16	6 7/8	8 1/16	35 15/16	10 5/8	368

DIMENSIONS:METRIC (mm)

*Excluding Cable

Model	kW	NOM. SIZE	Pump & Motor									C.W.L.	*Wt.
			A	A1	A2	B	B1	D	D1	D2	H	W1	(kg)
KRD611 -61	11	150	418	305	120	901	778	379	175	204	913	270	167