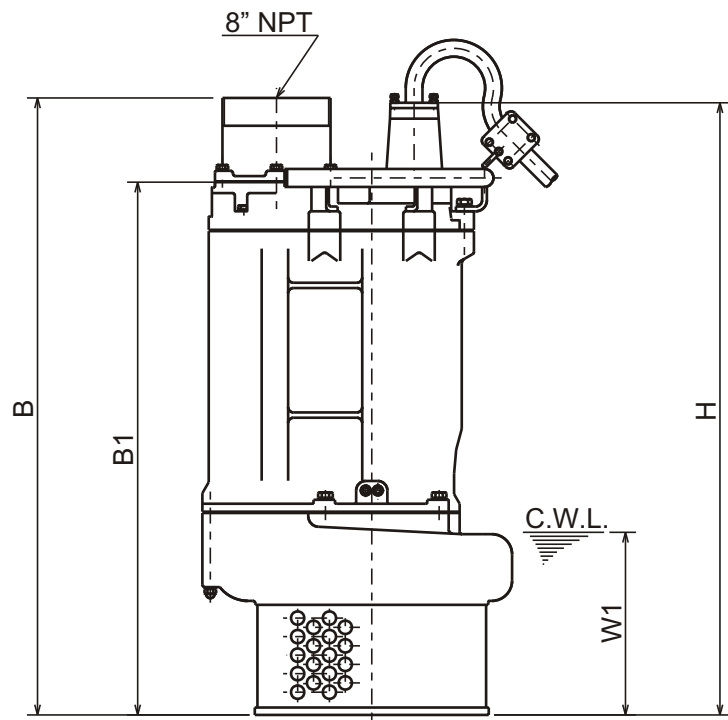
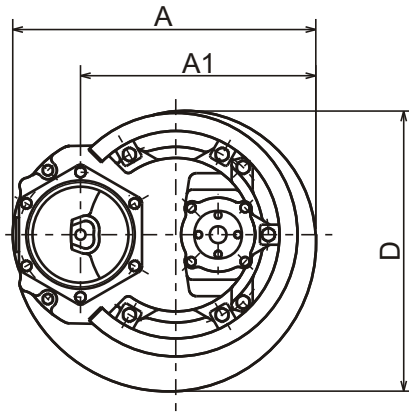




KRS - SERIES
HIGH VOLUME - DEWATERING PUMPS

DIMENSIONS

KRS819-60
KRS822-60
KRS822L-60



C.W.L. : Continuous running Water Level

DIMENSIONS:USCS (Inch)

Model	HP	NOM. SIZE	Pump & Motor						C.W.L.	Wt. (lbs.)
			A	A1	B	B1	D	H	W1	
KRS819-60	25	8"	22 1/2	17 1/2	45 3/8	39 5/8	20 7/8	45 1/2	13 5/8	850
KRS822-60	30	8"	22 1/2	17 1/2	45 3/8	39 5/8	20 7/8	45 1/2	13 5/8	860
KRS822L-60	30	8"	22 1/2	17 1/2	45 3/8	39 5/8	20 7/8	45 1/2	13 5/8	860

DIMENSIONS:METRIC (mm)

Model	kW	NOM. SIZE	Pump & Motor						C.W.L.	Wt. (kg)
			A	A1	B	B1	D	H	W1	
KRS819-60	18.5	200	572	445	1153	1006	530	1156	345	385
KRS822-60	22	200	572	445	1153	1006	530	1156	345	390
KRS822L-60	22	200	572	445	1153	1006	530	1156	345	390