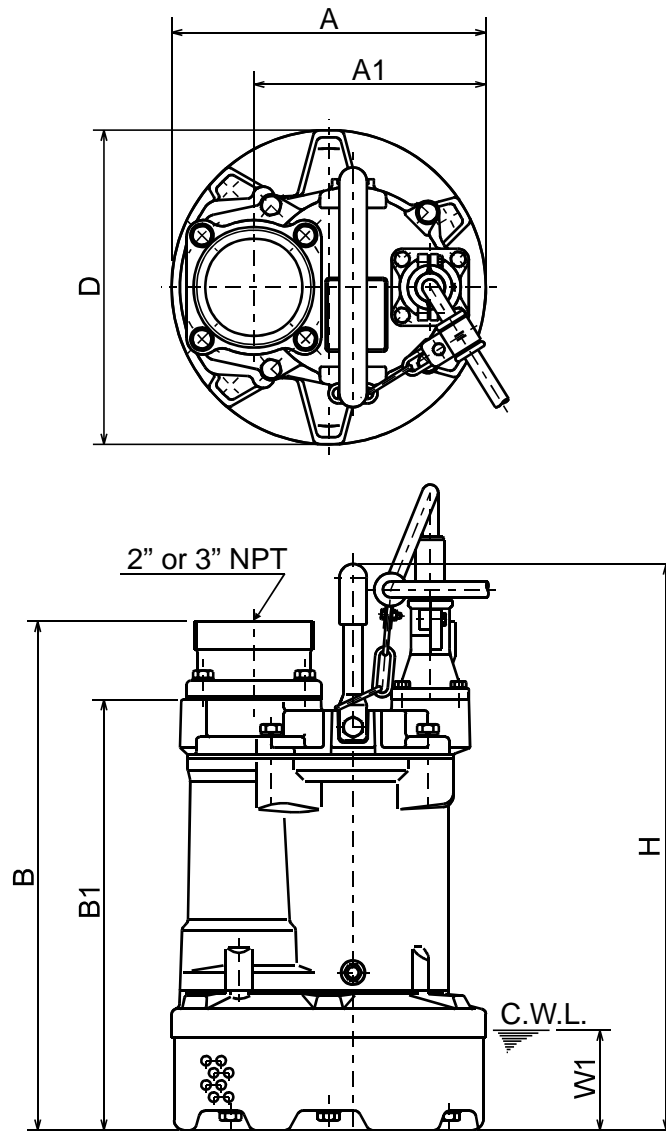




KTV - SERIES SEMI-VORTEX - DEWATERING PUMPS

DIMENSIONS

**KTV2-37H
KTV2-37
KTV2-55**



C.W.L. : Continuous running Water Level

DIMENSIONS:USCS (Inch)

Model	HP	NOM. SIZE	Pump & Motor						C.W.L. W1	Wt. (lbs.)
			A	A1	B	B1	D	H		
KTV2-37H	5	2"	11 1/4	8 5/16	17 11/16	15 1/4	11 1/4	20 1/16	3 1/2	79
KTV2-37	5	3"	11 1/4	8 5/16	17 11/16	15 1/4	11 1/4	20 1/16	3 1/2	79
KTV2-55	7.5	3"	11 13/16	9	19 1/8	16 5/8	11 13/16	21 7/16	3 1/2	104

DIMENSIONS:METRIC (mm)

Model	kW	NOM. SIZE	Pump & Motor						C.W.L. W1	Wt. (kg)
			A	A1	B	B1	D	H		
KTV2-37H	3.7	50	285	211	450	387	285	510	90	36.0
KTV2-37	3.7	80	285	211	450	387	285	510	90	36.0
KTV2-55	5.5	80	300	229	485	422	300	545	90	47.0