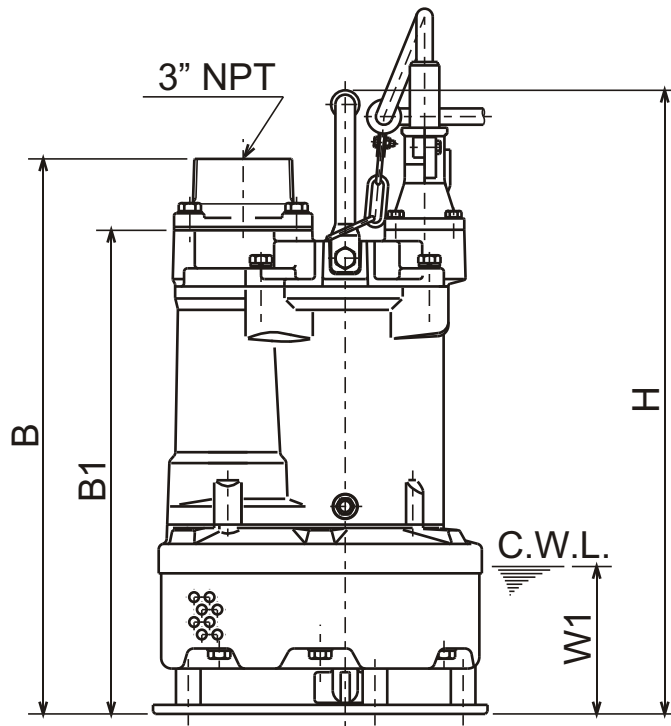
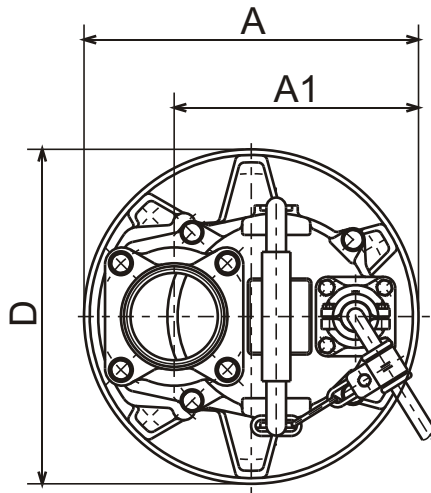




**KTV - SERIES (SAND)
SEMI-VORTEX - AGITATOR PUMPS**

DIMENSIONS

KTV2-80



C.W.L. : Continuous running Water Level

DIMENSIONS:USCS (Inch)

Model	HP	NOM. SIZE	Pump & Motor						C.W.L.	Wt. (lbs.)
			A	A1	B	B1	D	H	W1	
KTV2-80	4	3"	11 5/8	8 1/2	19 1/4	16 13/16	11 5/8	21 5/8	5 1/8	84

DIMENSIONS:METRIC (mm)

Model	kW	NOM. SIZE	Pump & Motor						C.W.L.	Wt. (kg)
			A	A1	B	B1	D	H	W1	
KTV2-80	3.0	80	295	216	490	427	295	550	130	38.0