

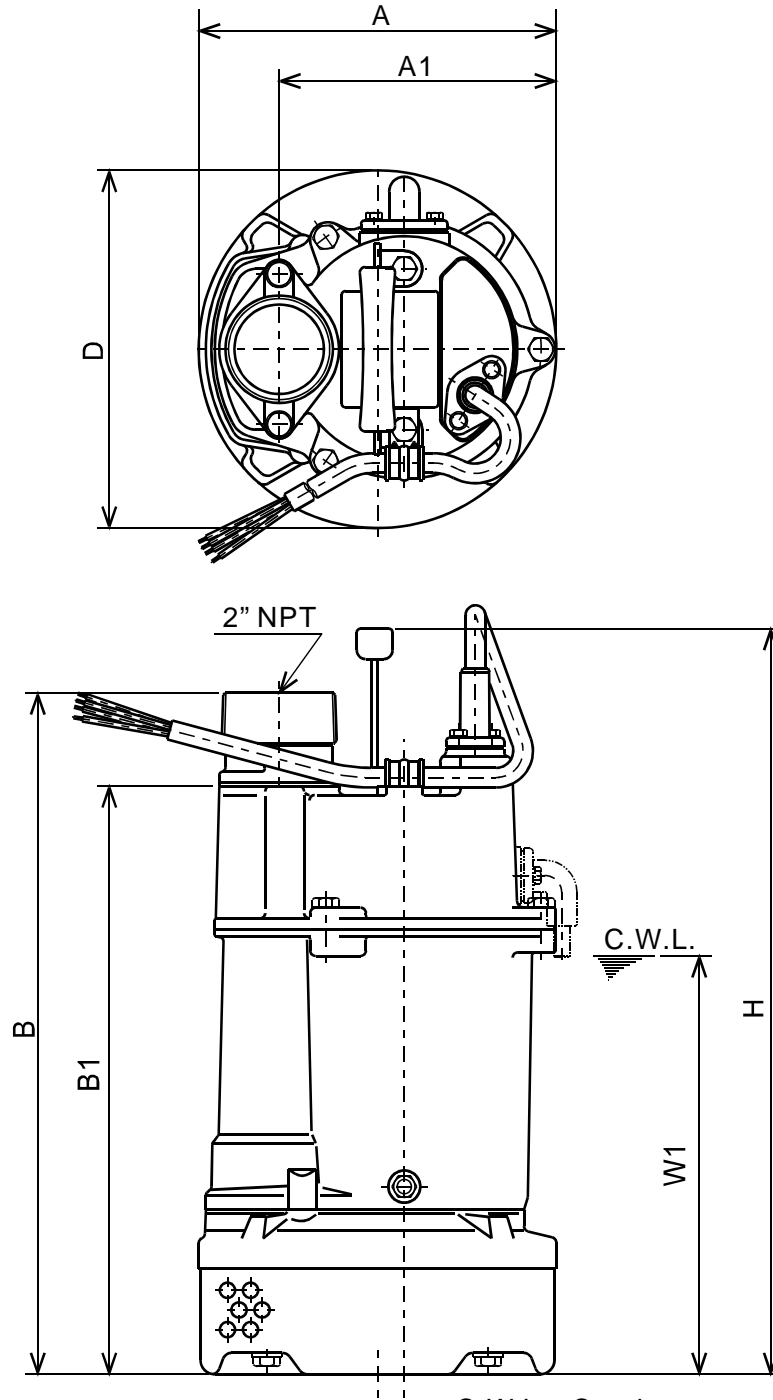


**TSURUMI PUMP**

**KTVE - SERIES**  
**SEMI-VORTEX - DEWATERING PUMPS (AUTO TYPE)**

**DIMENSIONS**

**KTVE2.75-60**



C.W.L. : Continuous running Water Level

**DIMENSIONS:USCS (Inch)**

Model	HP	NOM. SIZE	Pump & Motor						C.W.L.	Wt. (lbs.)
			A	A1	B	B1	D	H	W1	
KTVE2.75-60	1	2"	7 7/8	6 1/8	15	12 15/16	7 7/8	16 7/16	9 1/4	28

**DIMENSIONS:METRIC (mm)**

Model	kW	NOM. SIZE	Pump & Motor						C.W.L.	Wt. (kg)
			A	A1	B	B1	D	H	W1	
KTVE2.75-60	0.75	50	200	155	381	329	200	417	234	12.7