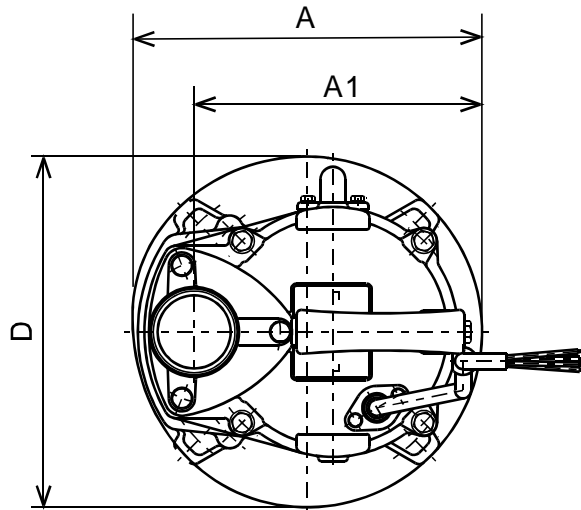
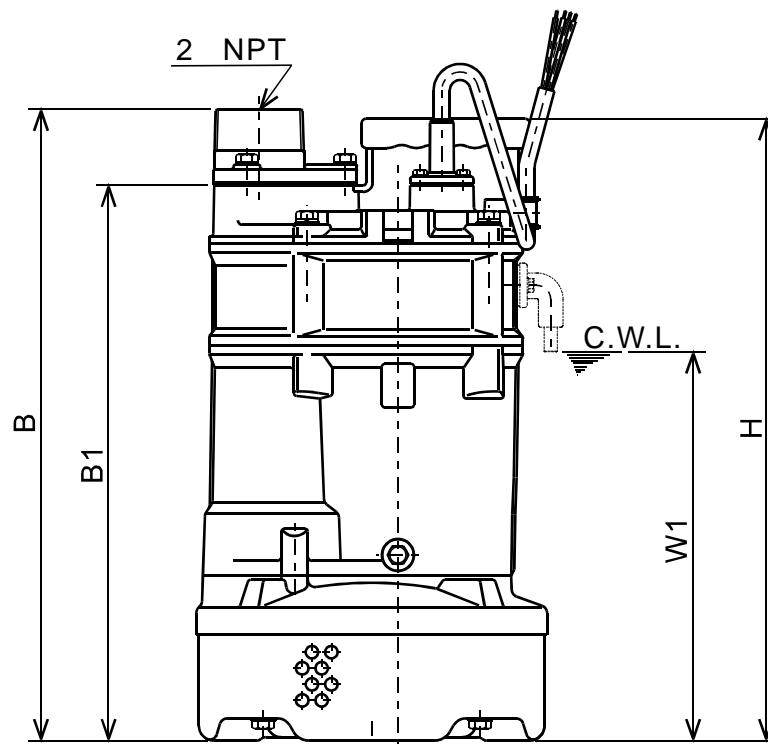


**TSURUMI PUMP**
KTVE - SERIES
SEMI-VORTEX - DEWATERING PUMPS (AUTO TYPE)
DIMENSIONS
KTVE21.5-61
KTVE22.2-61


C.W.L. : Continuous running WaterLevel

DIMENSIONS:USCS (Inch)

Model	HP	NOM. SIZE	Pump & Motor						C.W.L.	Wt. (lbs.)
			A	A1	B	B1	D	H	W1	
KTVE21.5-61	2	2"	9 7/16	7 3/4	17	14 15/16	9 7/16	16 3/4	10 1/2	48
KTVE22.2-61	3	2"	9 7/16	7 3/4	17	14 15/16	9 7/16	16 3/4	10 1/2	55

DIMENSIONS:METRIC (mm)

Model	kW	NOM. SIZE	Pump & Motor						C.W.L.	Wt. (kg)
			A	A1	B	B1	D	H	W1	
KTVE21.5-61	1.5	50	240	197	432	380	240	425.5	266	22.0
KTVE22.2-61	2.2	50	240	197	432	380	240	425.5	266	25.0