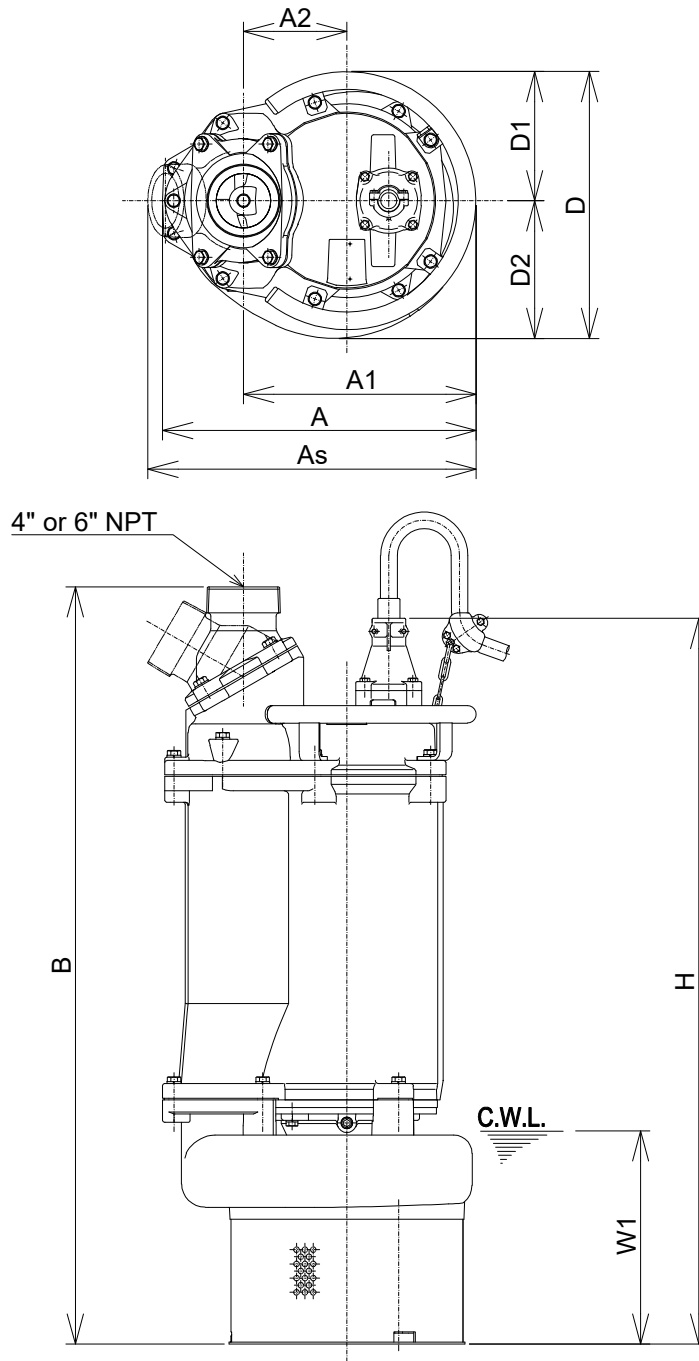


**KTZ422-61  
KTZ622-61**



**DIMENSIONS:USCS (Inch)**

Model	HP	NOM. SIZE	Pump & Motor									C.W.L. W1	Wt.* (lbs.)
			A	A1	A2	As	B	D	D1	D2	H		
KTZ422-61	30	4"	19 1/8	14 3/16	6 5/16	20	46 1/8	16 1/4	7 7/8	8 3/8	44 3/16	13	648
KTZ622-61	30	6"	19 1/8	14 3/16	6 5/16	21 1/4	46 15/16	16 1/4	7 7/8	8 3/8	44 3/16	13	650

**DIMENSIONS:METRIC (mm)**

\*Excluding Cable

Model	kW	NOM. SIZE	Pump & Motor									C.W.L. W1	Wt.* (kg)
			A	A1	A2	As	B	D	D1	D2	H		
KTZ422-61	22	100	485	360	160	508	1172	413	200	213	1123	330	294
KTZ622-61	22	150	485	360	160	539	1192	413	200	213	1123	330	295