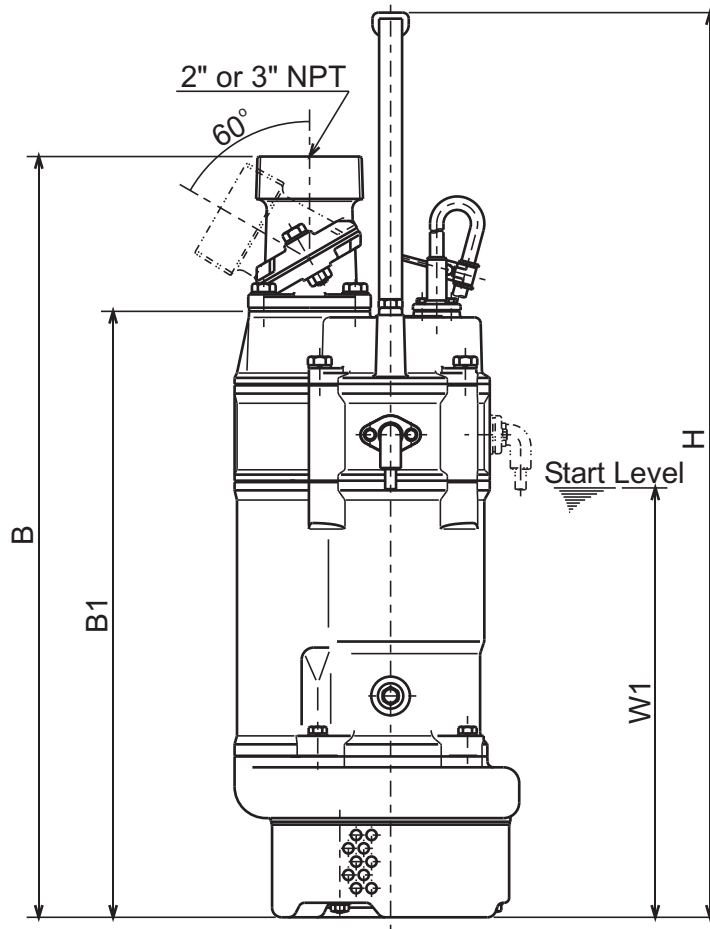
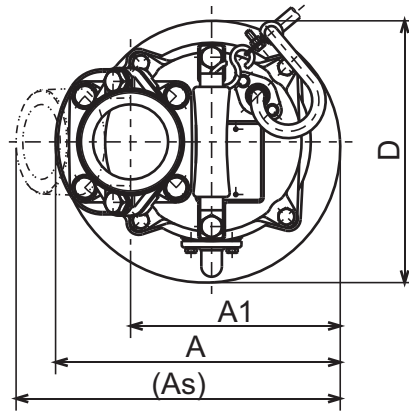




KTZE - SERIES
DEWATERING PUMPS (AUTO TYPE)

DIMENSIONS

KTZE22.2-61
KTZE32.2-61



DIMENSIONS:USCS (Inch)

Model	HP	NOM. SIZE	Pump & Motor							Start	Wt. (lbs.)
			A	As	A1	B	B1	D	H	W1	
KTZE22.2-61	3	2"	9 1/4	10 1/4	6 13/16	24 3/4	19 3/4	8 1/2	29 7/16	14	88
KTZE32.2-61	3	3"	9 1/4	10 9/16	6 13/16	24 3/4	19 3/4	8 1/2	29 7/16	14	86

DIMENSIONS:METRIC (mm)

Model	kW	NOM. SIZE	Pump & Motor							Start	Wt. (kg)
			A	As	A1	B	B1	D	H	W1	
KTZE22.2-61	2.2	50	235	261	173	629	501	216	748	355	40
KTZE32.2-61	2.2	80	235	268	173	629	501	216	748	355	39