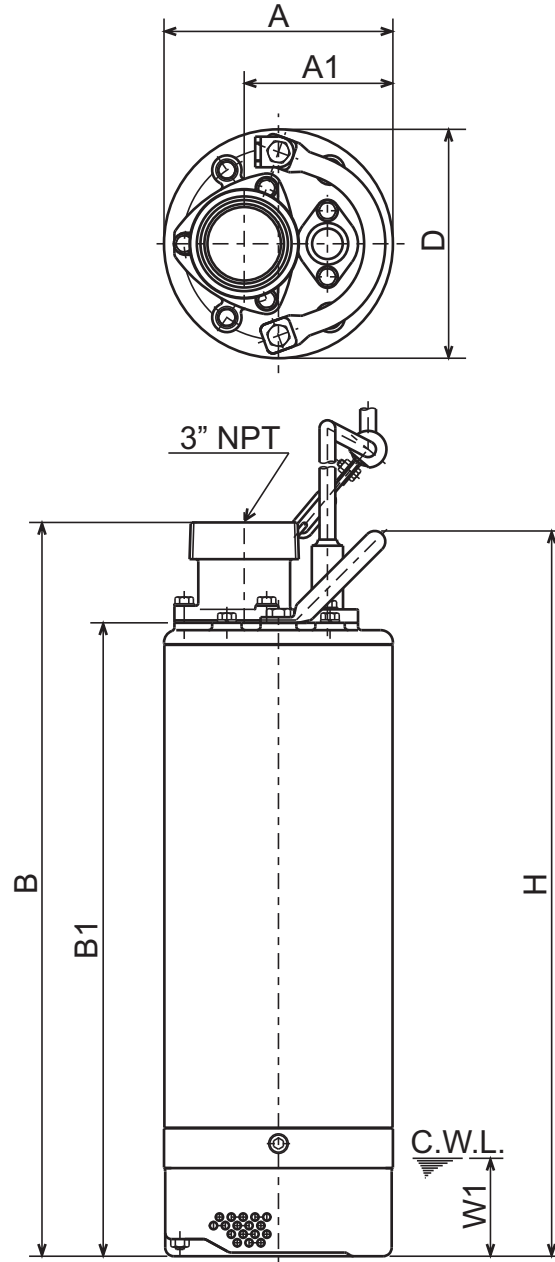




LB - SERIES
SEMI-VORTEX - DEWATERING PUMP

DIMENSIONS

LB-1500-60
LBT-1500-60



C.W.L. : Continuous running Water Level

DIMENSIONS:USCS (Inch)

| Model | HP | NOM. SIZE | Pump & Motor | | | | | | C.W.L. | Wt. (lbs.) |
|-------------|----|-----------|--------------|---------|--------|--------|-------|---------|--------|------------|
| | | | A | A1 | B | B1 | D | H | W1 | |
| LB-1500-60 | 2 | 3" | 7 3/8 | 4 13/16 | 23 5/8 | 20 3/8 | 7 3/8 | 23 5/16 | 3 1/8 | 72 |
| LBT-1500-60 | 2 | 3" | 7 3/8 | 4 13/16 | 23 5/8 | 20 3/8 | 7 3/8 | 23 5/16 | 3 1/8 | 70 |

DIMENSIONS:METRIC (mm)

| Model | kW | NOM. SIZE | Pump & Motor | | | | | | C.W.L. | Wt. (kg) |
|-------------|-----|-----------|--------------|-----|-----|-----|-----|-----|--------|----------|
| | | | A | A1 | B | B1 | D | H | W1 | |
| LB-1500-60 | 1.5 | 80 | 187 | 122 | 600 | 518 | 187 | 593 | 80 | 32.5 |
| LBT-1500-60 | 1.5 | 80 | 187 | 122 | 600 | 518 | 187 | 593 | 80 | 32.0 |