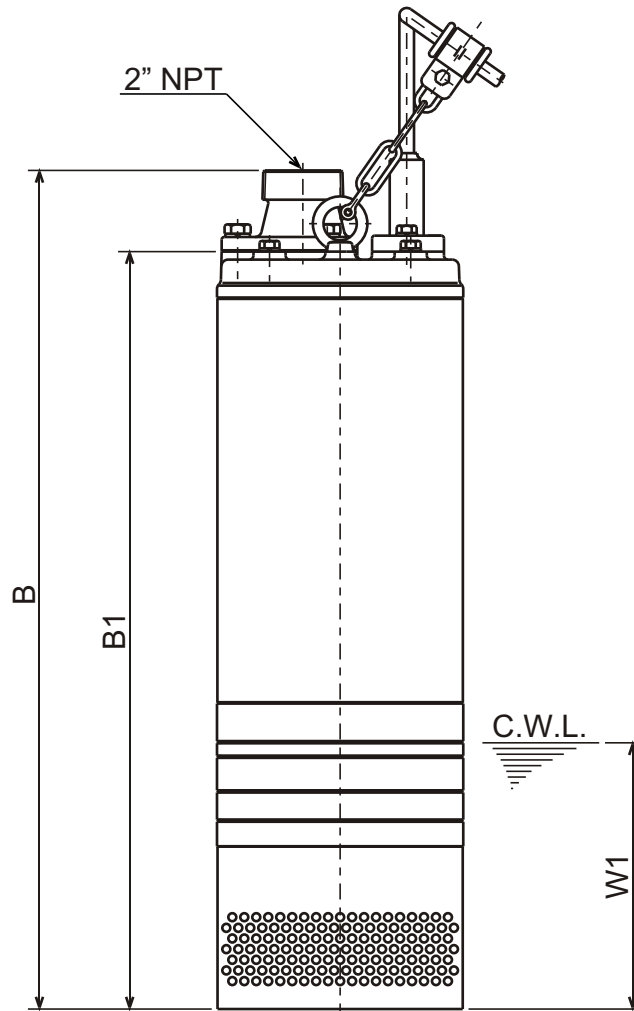
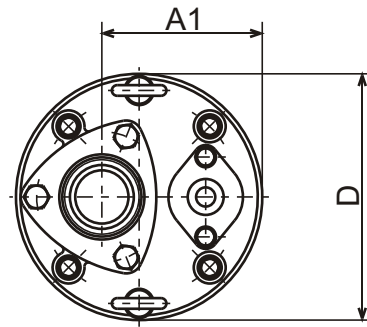




**LH - SERIES
DEWATERING PUMPS**

DIMENSIONS

LH23.0W-60



C.W.L. : Continuous running Water Level

DIMENSIONS:USCS (Inch)

Model	HP	NOM. SIZE	Pump & Motor				C.W.L.	Wt. (lbs.)
			A1	B	B1	D	W1	
LH23.0W-60	4	2"	4 3/4	24 13/16	22 3/8	7 5/16	7 7/8	101

DIMENSIONS:METRIC (mm)

Model	HP	NOM. SIZE	Pump & Motor				C.W.L.	Wt. (lbs.)
			A1	B	B1	D	W1	
LH23.0W-60	3	50	121	630	569	185	200	46