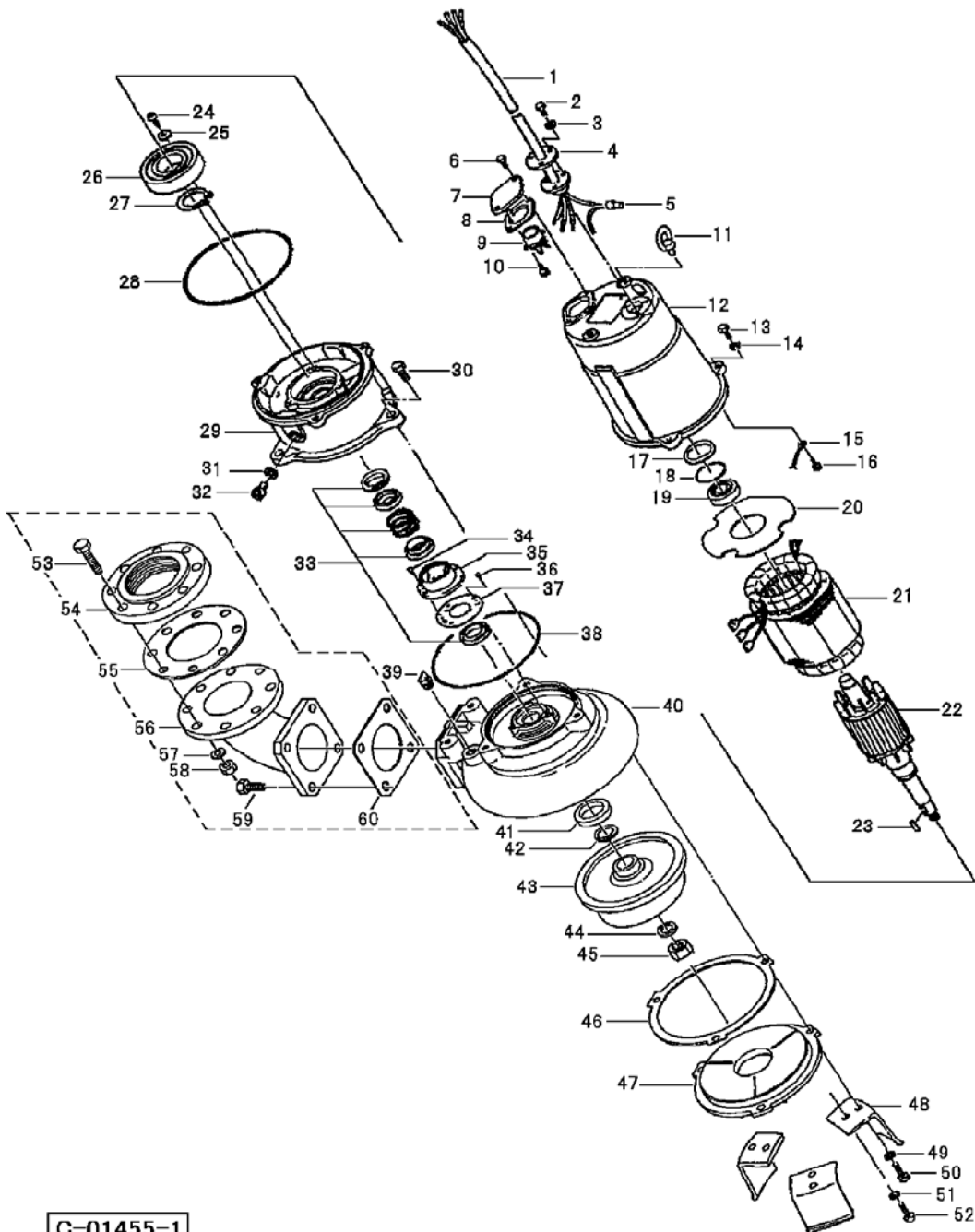


PARTS LIST		SEWAGE & WASTEWATER PUMPS			3/26/2013	
ITEM	PART No.	DESCRIPTION	QTY	SIZE	MATERIAL	NOTES

## EXPLODED VIEW

100B43.7-51/61(37-BE4)  
100B43.7H-51/61(37-BEH4)



C-01455-1

PARTS LIST		SEWAGE & WASTEWATER PUMPS			3/26/2013	
ITEM	PART No.	DESCRIPTION	QTY	SIZE	MATERIAL	NOTES
1		Cabtyre Cable Set				
1	001-150-25	Cabtyre Cable Set (10m)220V-60Hz(USA)	1	VCT4Cx3.5mm2	BE/CE	
1	001-150-25	Cabtyre Cable Set (10m)440V-60Hz(USA)	1	VCT4Cx3.5mm2	BE/CE	
1	001-178-29	Cabtyre Cable Set (6m)380/400/415V-50Hz	1	VCT4Cx2mm2	BE/CE	
1	001-178-29	Cabtyre Cable Set (6m)380V-50Hz(THA)	1	VCT4Cx2mm2	BE/CE	
1	001-178-29	Cabtyre Cable Set (6m)380V-60Hz(TWN)	1	VCT4Cx2mm2	BE/CE	
1	001-178-29	Cabtyre Cable Set (6m)440V-60Hz	1	VCT4Cx2mm2	BE/CE	
1	001-179-20	Cabtyre Cable Set (6m)220V-60Hz(TWN)	1	VCT4Cx3.5mm2	BE/CE	
1	001-004-92	Cabtyre Cable Set (10m)380/400/415V-50Hz(EUR)	1	H07RN4Cx1.5mm2(CEE.Gray)	BE(HAR)	
2	140-021-17	Hex.Bolt	3	M5x20	SUS304	
3	142-422-18	Seal Washer	3	PM-5	SUS+NBR	
4	003-111-20	Gland	1		SUS304	
5	009-150-16	Terminal	4	8-SD	CU	
6	140-052-17	Hex.Bolt	2	M8x16	SUS304	
7	127-195-12	Protector Fixing Plate	1	22/37-BE2	SUS304	
8	121-446-13	Packing	1	22/37-BE2	NBR	
9		Motor Protector				
9	053-478-10	Motor Protector 220V-60Hz	1	KA313-GGZL110	(T.C)	
9	053-473-15	Motor Protector 380/400/415V-50Hz	1	KA313-GDZL103	(T.C)	
9	053-473-15	Motor Protector 400/440V-50Hz	1	KA313-GDZL103	(T.C)	
9	053-420-17	Motor Protector 440/460/480V-60Hz	1	KA313-GCXL103	(T.C)	
9	053-420-17	Motor Protector 525V-50Hz	1	KA313-GCXL103	(T.C)	
9	053-473-15	Motor Protector 380V-60Hz	1	KA313-GDZL103	(T.C)	
10	143-126-12	Pan Screw (w/Spring Washer/Plain Washer)	2	M4x12	SWRM	
11	072-100-17	Eye Bolt	2	M10	SF	
12	064-514-13	Motor Frame (2nd)	1		FC	
13	140-055-10	Hex.Bolt	3	M8x25	SUS304	
14	142-163-18	Spring Washer	3	M8	SUS304	
15	009-116-10	Terminal	1	R-2-4	CU	
16	143-124-10	Pan Screw (w/Spring Washer/Plain Washer)	1	M4x6	SWRM	
17	142-196-10	Wave Washer	1	6205/6304	SK5	
18	122-367-12	O-Ring	1	52xd3.1	NBR	
19	052-107-12	Bearing (1st)	1	6304ZZC3		
19	052-188-17	Bearing (w/O-ring)(2nd)	1	AC-6304ZZC3		
20	058-117-13	Lead Wire Protection Plate	1	d70xd140x1.6t	Bakelite	
21		Stator				
22	055-669-16	Rotor (1st)	1Set	w/Bearing		
22	055-731-10	Rotor (2nd)	1Set	w/Bearing		
23	147-066-15	Impeller Key	1	10x8x22L	SUS420	
24	143-042-13	Pan Screw	3	M6x10	SWRM	
25	062-196-19	Bearing Fixing Washer	3	d8xd20.5x2.3t	SS	
26	052-112-10	Bearing	1	6309ZZC3		
27	146-027-11	Retaining Ring	1	C45	SK5	
28	122-333-19	O-Ring	1	170xd3.1	NBR	

PARTS LIST		SEWAGE & WASTEWATER PUMPS			3/26/2013	
ITEM	PART No.	DESCRIPTION	QTY	SIZE	MATERIAL	NOTES
29	060-456-14	Bearing Housing	1		FC	
30	140-098-15	Hex.Bolt	3	M12x35	SUS304	
31	121-247-12	Packing	1	d12.3xd18x2t	PE	
32	035-113-18	Oil Plug	1	M12x14	SUS304	
33	025-280-16	Mechanical Seal	1	H-35A	SIC+CCBN	
34	143-070-23	Pan Screw	2	M5x6	SWRM	
35	030-156-18	Oil Lifter	1	H-35(A)(T)	Resin	
36	143-070-10	Pan Screw	3	M5x6	SWRM	
37	030-150-12	Seal Stopper	1	H-35(A)(T)	SPCC	
38	122-246-14	O-Ring	1	180xd3.1	NBR	
39	046-107-13	Air Release Valve	1	PT-1/2	Nylon	
40	020-527-13	Pump Casing	1	37-BE2/CE2	FC	
41	026-143-19	Oil Seal	1	TC-507212	NBR	
42	040-113-14	Impeller Shim		d32.5xd48x0.3t	SUS304	
43	021-008-02	Impeller (50Hz)	1	100B43.7-51	FC	
43	021-798-10	Impeller (60Hz)	1	100B43.7-61	FC	
44	142-170-18	Spring Washer	1	M24	SUS304	
45	141-011-17	Hex.Nut	1	M24	SUS304	
46	120-104-13	Packing (S.Cover)		d230.5xd258x0.3t	M-Sheet	
47	022-737-14	Suction Cover	1	22/37-BE3	FC	
48	023-469-15	Pump Stand	3	22/37-BE3	SPHC	
49	142-165-10	Spring Washer	3	M12	SUS304	
50	140-098-15	Hex.Bolt	3	M12x35	SUS304	
51	142-163-18	Spring Washer	3	M8	SUS304	
52	140-054-19	Hex.Bolt	3	M8x20	SUS304	
53	140-000-56	Hex.Bolt(For 100mm)	8	M16x75	SWRM	
53	140-130-36	Hex.Bolt(For 80mm)	8	M16x70	SWRM	
54	048-109-11	Screwed Flange(For 100mm)	1	JIS10Kx100mm(PF)	FC	
54	048-000-40	Screwed Flange(For 100mm)	1	JIS10Kx100mm(PT)	FC	
54	048-108-10	Screwed Flange(For 80mm)	1	JIS10Kx80mm(PF)	FC	
54	048-000-39	Screwed Flange(For 80mm)	1	JIS10Kx80mm(PT)	FC	
54	048-139-10	Screwed Flange	1	NPT-4(JIS10K)	FC	
55	121-105-33	Packing(For 80mm)	1	JIS10Kx80mm	NR	
55	121-106-34	Packing(For 100mm)	1	JIS10Kx100mm	NR	
56	037-169-15	Discharge Bend(For 80mm)	1	80x80mm	FC	
56	037-170-19	Discharge Bend(For 100mm)	1	80x100mm	FC	
57	142-166-37	Spring Washer	8	M16	SWRH	
58	141-008-11	Hex.Nut	8	M16	SUS304	
59	140-124-11	Hex.Bolt	4	M16x40	SUS304	
60	121-152-19	Packing	1	145mm2(P.C.145)	NBR	
		<Packing O-Ring Set>				
	173-474-11	Packing O-Ring Set	1Set	(Marked by *)		
		Lubricant		Turbine Oil VG32 1.300ml		