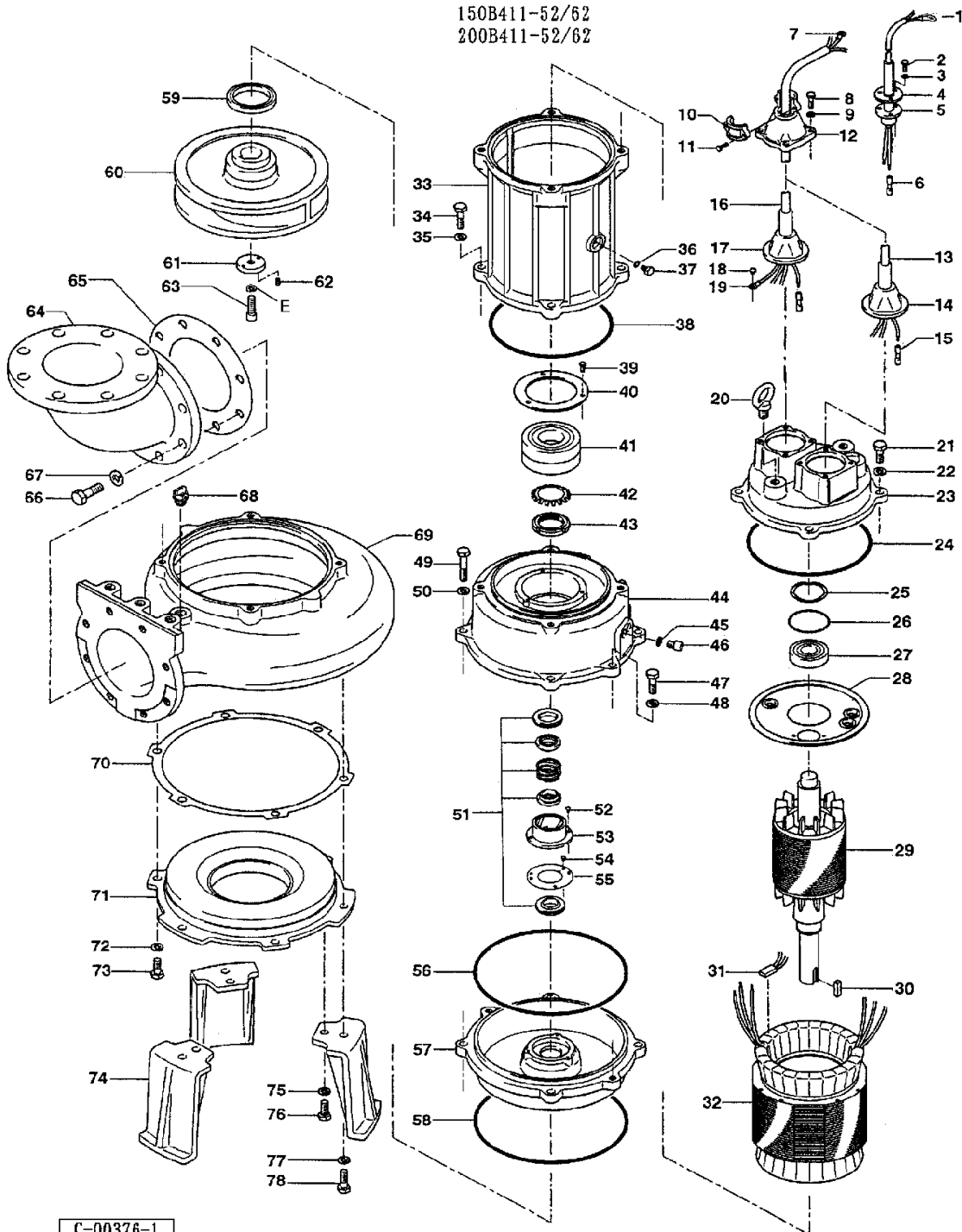


PARTS LIST		SEWAGE & WASTEWATER PUMPS			2/20/2014	
ITEM	PART No.	DESCRIPTION	QTY	SIZE	MATERIAL	NOTES

## EXPLODED VIEW



C-00376-1

PARTS LIST		SEWAGE & WASTEWATER PUMPS			2/20/2014	
ITEM	PART No.	DESCRIPTION	QTY	SIZE	MATERIAL	NOTES
1	009-127-14	Terminal	2	R-1.25-4	CU	
2	140-018-11	Hex.Bolt	3	M5x15	SUS304	
3	142-422-18	Seal Washer	3	PM-5	SUS+NBR	
4	003-111-20	Gland	1		SUS304	
5	001-005-66	Cabtyre Cable Set (32') 60Hz(USA)	1	2PNCT2Cx1.25mm2	BE/CE	control cable
6	009-274-17	Compression type Terminal	2	TMNB-2.2(Insulated)		
7	009-131-11	Terminal	7	R-5.5-6	CU	
8	140-055-10	Hex.Bolt	8	M8x25	SUS304	
9	142-163-18	Spring Washer	8	M8	SUS304	
10	070-107-18	Cable Clamp	2		FC	
11	140-035-14	Hex.Bolt	4	M6x20	SUS304	
12	006-126-14	Stuffing Box	2	No.2	FC	
13	001-936-23	Cabtyre Cable Set (32') 60Hz (USA)	1	2PNCT4Cx3.5mm2	KR-2	power cable 1 (with ground); reference 001-315-20
14	008-154-17	Mould Cover	1	KR2-10	CR	
15	009-275-18	Compression type Terminal	6	TGNB-5.5(Insulated)	CU	
16	001-937-24	Cabtyre Cable Set (32') 60Hz (USA)	1	2PNCT3Cx3.5mm2	KR-2	power cable 2
17	008-142-12	Mould Cover	1	KR2-7	CR	
18	143-085-21	Pan Screw (w/Spring Washer)	1	M4x6	SWRM	
19	009-122-19	Terminal	1	R-3.5-4	CU	
20	072-107-14	Eye Bolt	2	M16	SS	
21	140-098-15	Hex.Bolt	4	M12x35	SUS304	
22	142-165-10	Spring Washer	4	M12	SUS304	
23	050-437-18	Motor Bracket	1		FC	
24	122-173-19	O-Ring	1	V-225(222.5xd6)	NBR	
25	142-198-12	Wave Washer	1	For #6306	SK5	
26	122-245-13	O-Ring	1	71.4xd3.1	NBR	
27	052-109-14	Bearing	1	6306ZZC3		
28	058-000-09	Lead Wire Protection Plate	1	d86xd224x1.6t	SPHC	
29	055-000-69	Rotor	1Set			
30	147-005-16	Impeller Key	1	12x8x40l	SUS304	
31	053-310-13	Motor Protector	3	9700K-76-215	(H)	
32		Stator	1Set			
33	064-506-12	Motor Frame	1		FC	
34	140-100-11	Hex.Bolt	4	M12x45	SUS304	
35	142-165-10	Spring Washer	4	M12	SUS304	
36	122-006-10	O-Ring	1	P-8(7.8xd1.9)	NBR	
37	144-550-12	Stator Set Bolt	1	M8x12.5	SUS304	
38	122-173-19	O-Ring	1	V-225(222.5xd6)	NBR	
39	140-032-37	Hex.Bolt	3	M6x15	SWRM	
40	062-224-17	Bearing Fixing Plate	1	d98xd140x4.5t	SS	
41	052-141-18	Bearing	1Set	6310ZZD2C3		
42	142-393-19	Bearing Washer	1	AW10	SUS	
43	141-000-02	Bearing Nut	1	AN10	SUS304	
44	060-431-13	Bearing Housing	1		FC	

PARTS LIST		SEWAGE & WASTEWATER PUMPS			2/20/2014	
ITEM	PART No.	DESCRIPTION	QTY	SIZE	MATERIAL	NOTES
45	121-247-12	Packing	2	d12.3xd18x2t	PE	
46	035-113-18	Oil Plug	2	M12x14	SUS304	
47	140-099-16	Hex.Bolt	2	M12x40	SUS304	
48	142-165-10	Spring Washer	2	M12	SUS304	
49	140-104-15	Hex.Bolt	4	M12x65	SUS304	
50	142-165-10	Spring Washer	4	M12	SUS304	
51	025-000-38	Mechanical Seal	1	H-40	SiC	
52	143-070-23	Pan Screw	2	M5x6	SWRM	
53	030-141-10	Oil Lifter	1	For H-40(T)	Resin	
54	143-070-10	Pan Screw	3	M5x6	SWRM	
55	030-149-18	Seal Stopper	1	For H-40/45	SPCC	
56	122-159-19	O-Ring	1	G-280(279.3xd5.7)	NBR	
57	029-191-11	Oil Casing	1	110-CE2 Type	FC	
58	122-159-19	O-Ring	1	G-280(279.3xd5.7)	NBR	
59	026-117-14	Oil Seal	1	TC-709212	NBR	
60	021-831-16	Impeller (50Hz)	1	For 150B411-52	FC	
60	021-832-17	Impeller (60Hz)	1	For 150B411-62	FC	
61	142-202-10	Impeller Fixing Washer	1	d13xd50x15t	SUS304	
62	144-293-27	Hex.Socket Set Screw	2	M6x12	SUS304	
63	140-303-16	Hex. Socket Cap Bolt	1	M12x40	SUS304	
64	037-119-10	Discharge Bend	1	150x150mm	FC	
65	121-165-28	Packing	1	JIS5Kx150mm	NR	
66	140-127-14	Hex.Bolt	8	M16x55	SUS304	
67	142-166-11	Spring Washer	8	M16	SUS304	
68	046-107-13	Air Release Valve	1	PT-1/2	Nylon	
69	020-693-11	Pump Casing	1	150-11-4B3 Type	FC	
70	120-173-13	Packing (S.Cover)		d321xd348x0.5t	PE	
71	022-528-10	Suction Cover	1	150-11-4B2 Type	FC	
72	142-165-10	Spring Washer	3	M12	SUS304	
73	140-097-14	Hex.Bolt	3	M12x30	SUS304	
74	023-289-19	Pump Stand	3	200-11-4B2 Type	FCD	
75	142-165-10	Spring Washer	3	M12	SUS304	
76	140-097-14	Hex.Bolt	3	M12x30	SUS304	
77	142-165-10	Spring Washer	3	M12	SUS304	
78	140-103-14	Hex.Bolt	3	M12x60	SUS304	
		<Packing O-Ring Set>				
	173-532-18	Packing O-Ring Set	1Set	(Marked by *)		
24	122-173-19	O-Ring (M.Bracket/M.Frame)	1	V-225(222.5xd6)	NBR	
26	122-245-13	O-Ring (Upp. Bearing)	1	71.4xd3.1	NBR	
36	122-006-10	O-Ring (Stator Set Bolt)	1	P-8(7.8xd1.9)	NBR	
38	122-173-19	O-Ring (M.Frame/Brq.Housing)	1	V-225(222.5xd6)	NBR	
45	121-247-12	Packing (Oil Plug)	2	d12.3xd18x2t	PE	
56	122-159-19	O-Ring (Brq.Housing/O.Casing)	1	G-280(279.3xd5.7)	NBR	
58	122-159-19	O-Ring (O.Casing/P.Casing)	1	G-280(279.3xd5.7)	NBR	



MODEL 150B411-62

PARTS LIST		SEWAGE & WASTEWATER PUMPS				2/20/2014
ITEM	PART No.	DESCRIPTION	QTY	SIZE	MATERIAL	NOTES
		Lubricant		Turbine Oil VG32	6,400ml	
		Parts for guide rail fittings are shown in the following Control No.				
		TOS-150(TOS-14-1-1)				
		<Impeller Puller>				
	183-013-19	Impeller Puller		BE Type No.13	2"	SGPSS