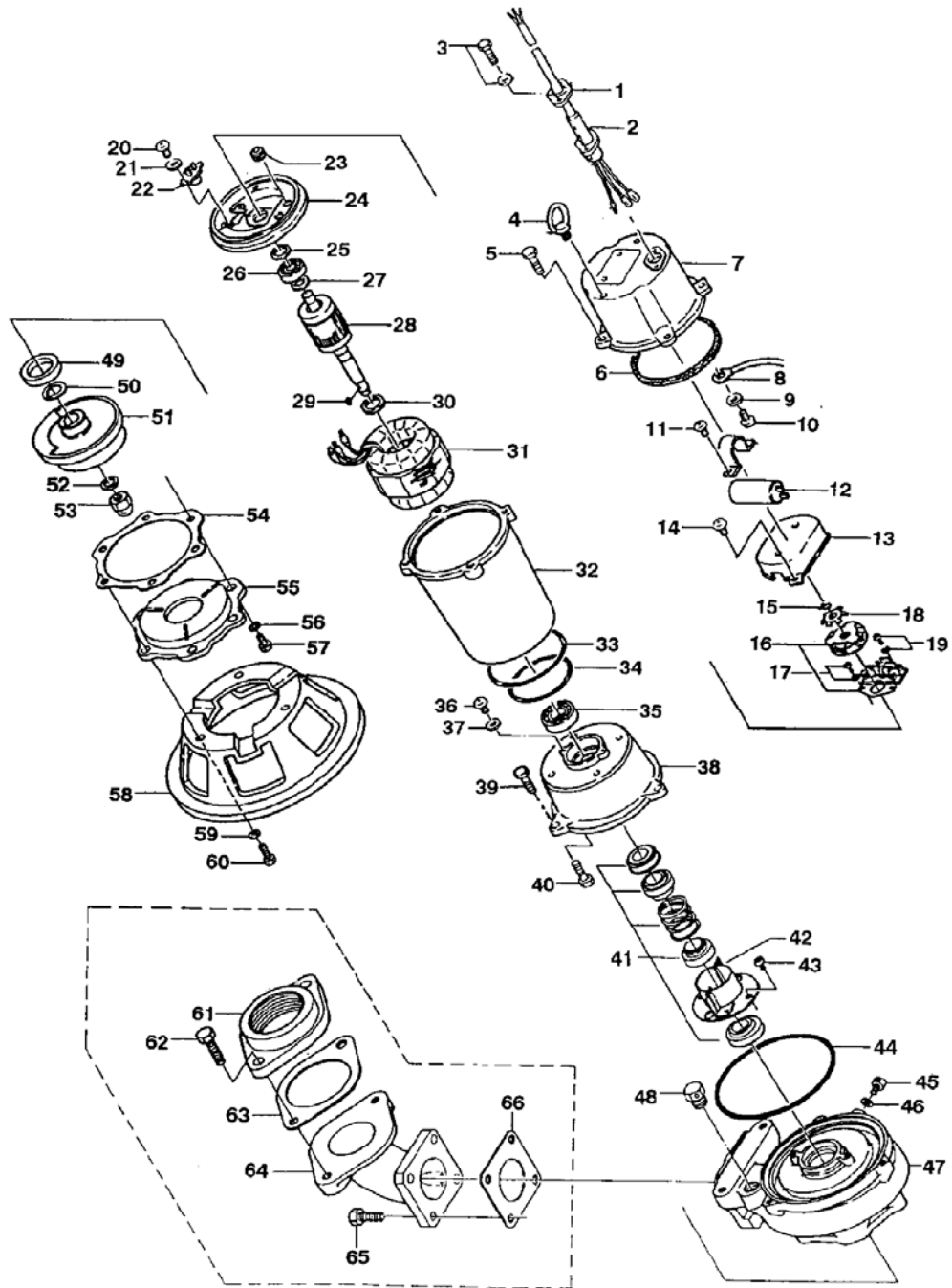


PARTS LIST		SEWAGE & WASTEWATER PUMPS			3/26/2013	
ITEM	PART No.	DESCRIPTION	QTY	SIZE	MATERIAL	NOTES

EXPLODED VIEW

50B2.75-51/61(8B-S2)



PARTS LIST		SEWAGE & WASTEWATER PUMPS			3/26/2013	
ITEM	PART No.	DESCRIPTION	QTY	SIZE	MATERIAL	NOTES
1	003-190-10	Gland	1		SUS316	
2	001-216-20	Cabletyre Cable Set (10m)110/220V-60Hz	1	VCT3Cx2mm2	S	
3	140-427-17	Hex.Bolt (w/Plain Washer)	2	M5x15	SUS304	
4	072-120-26	Eye Bolt	2	M6	SUS304	
5	140-022-18	Hex.Bolt	4	M5x25	SUS304	
6	121-252-10	Packing	1	d127.3xd144.8x3.5t	NBR	
7	051-156-13	Motor Head Cover	1		FC	
8	009-112-16	Earth Terminal	1Set	1.25mm2		
9	142-124-46	Plain Washer	1	M4	C3604	
10	143-086-22	Pan Screw (w/Spring Washer)	1	M4x8	SWRM	
11	143-085-21	Pan Screw (w/Spring Washer)	1	M4x6	SWRM	
12	076-000-11	Capacitor	1	240MF-125VAC(L=80)	(T)	
13	078-105-10	Centrifugal Switch Cover	1	MS-5-4	SPC	
14	143-086-22	Pan Screw (w/Spring Washer)	2	M4x8	SWRM	
15	145-002-17	Snap Retainer	1	d10	SK5	
16	077-110-15	Centrifugal Switch	1Set	MS-5-2T		
17	143-086-22	Pan Screw (w/Spring Washer)	2	M4x8	SWRM	
18	142-207-15	Finger Spring	1	d10.5	SK5	
19	143-076-29	Pan Screw (w/Spring Washer)	2	M3x6	SWRM	
20	143-016-18	Pan Screw	2	M4x12	SWRM	
21	142-124-20	Plain Washer	2	M4	SPC	
22	053-282-15	Motor Protector 110/115/120V-60Hz	1	KA112-ABVL17	(H)	
22	053-263-10	Motor Protector 220V-60Hz	1	KA112-BATL09	(H)	
23	016-100-13	Lead Wire Protection Bush	2	S-400(E)	NBR	
24	050-273-14	Motor Bracket	1		FC	
25	142-194-18	Wave Washer	1	6203	SK5	
26	052-102-17	Bearing	1	6203ZZC3		
27	061-152-10	Bearing Collar	1	d17.1xd23x1.6t	SPC	
28	055-399-12	Rotor	1Set	w/Bearing		
29	147-040-13	Impeller Key	1	5x5x16l	SUS304	
30	061-158-16	Bearing Collar	1	d20.1xd28x1.6t	SPC	
31		Stator 110V-60Hz	1Set			
31	056-833-16	Stator 220V-60Hz	1Set			
32	064-320-10	Motor Frame	1		FC	
33	122-134-18	O-Ring	1	G-115(114.4xd3.1)	NBR	
34	122-128-19	O-Ring	1	G-85(84.4xd3.1)	NBR	
35	052-107-12	Bearing	1	6304ZZC3		
36	143-028-13	Pan Screw	2	M5x10	SWRM	
37	062-187-17	Bearing Fixing Washer	2	d5.5xd18x2.3t	SPC	
38	060-261-10	Bearing Housing	1		FC	
39	140-056-11	Hex.Bolt	3	M8x30	SUS304	
40	140-021-17	Hex.Bolt	4	M5x20	SUS304	
41	025-192-10	Mechanical Seal	1	H-20	SiC	
42	030-118-21	Oil Ring	1	H-20	SPC	

