

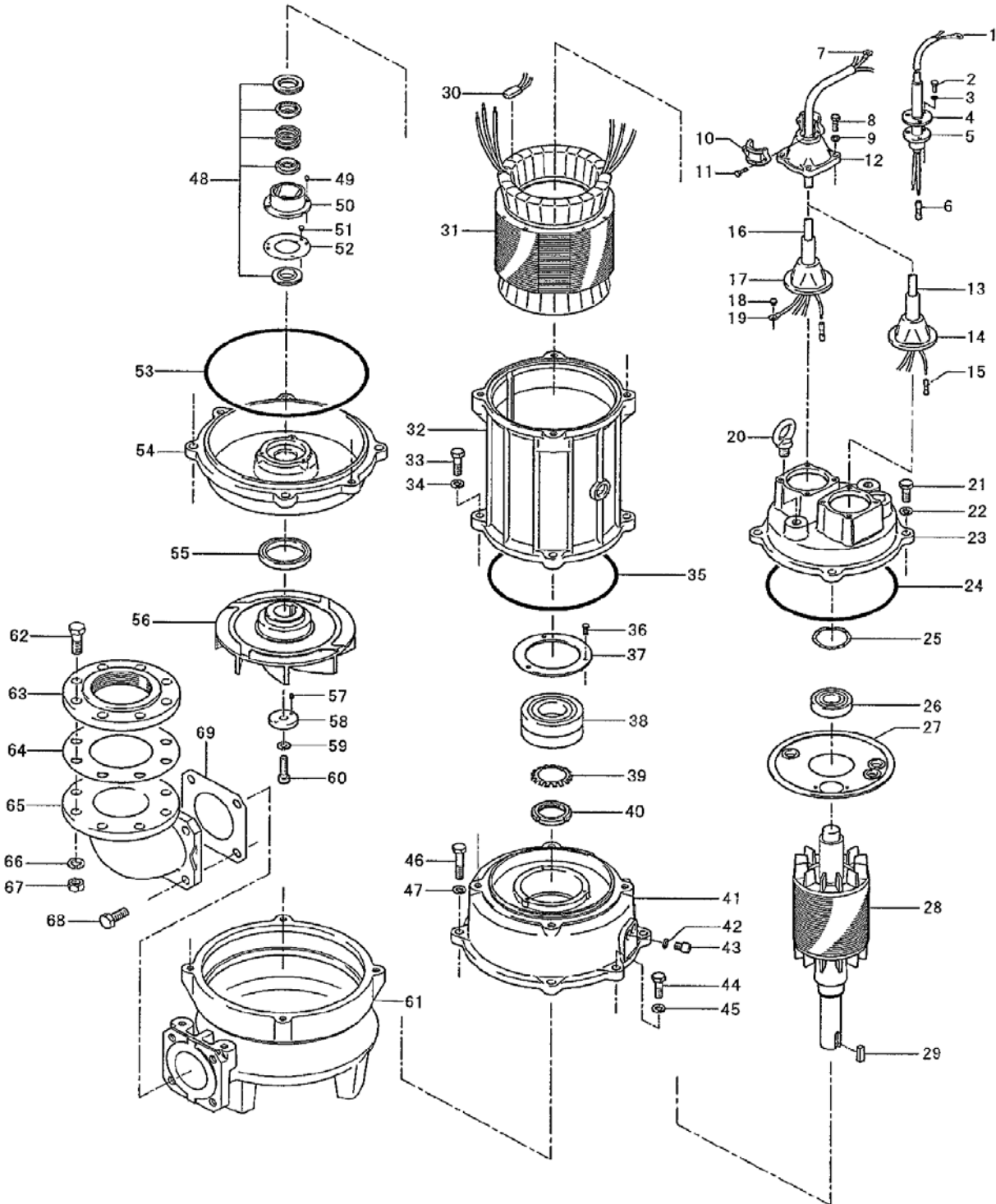
PARTS LIST		SEWAGE & WASTEWATER PUMP				10/26/2017
ITEM	PART No.	DESCRIPTION	QTY	SIZE	MATERIAL	NOTES
1	009-127-14	Terminal	2	R-1.25-4	CU	
2	140-018-11	Hex.Bolt	3	M5x15	SUS304	
3	142-422-18	Seal Washer	3	PM-5	SUS+NBR	
4	003-111-20	Gland	1		SUS304	
5	001-005-66	Cabtyre Cable Set (32')60Hz(USA)	1	2PNCT2Cx1.25mm2	BE/CE	
6	009-274-17	Compression type Terminal	2	TMNB-2(Insulated)		
7	009-131-11	Terminal	7	R-5.5-6	CU	
8	140-055-10	Hex.Bolt	8	M8x25	SUS304	
9	142-163-18	Spring Washer	8	M8	SUS304	
10	070-107-18	Cable Clamp	2		FC	
11	140-035-14	Hex.Bolt	4	M6x20	SUS304	
12	006-126-14	Stuffing Box	2	No.2	FC	
13	001-937-24	Cabtyre Cable Set (32') 60Hz(USA)	1	2PNCT3Cx3.5mm2	KR-2	
14	008-154-17	Mould Cover 60Hz(USA)	1	KR2-10	CR	
15	009-275-18	Compression type Terminal	6	TGNB-5.5(Insulated)	CU	
16	001-936-23	Cabtyre Cable Set (32') 60Hz(USA)	1	2PNCT4Cx3.5mm2	KR-2	
17	008-142-12	Mould Cover 60Hz(USA)	1	KR2-7	CR	
18	143-085-21	Pan Screw (w/Spring Washer)	1	M4x6	SWRM	
19	009-122-19	Terminal	1	R-3.5-4	CU	
20	072-107-14	Eye Bolt	2	M16	SS	can substitute 072-107-27 (SUS304)
	142-399-15	Washer		d17xd29x0.1t	SUS304	
	142-400-10	Washer		d17xd29x0.3t	SUS304	
21	140-098-15	Hex.Bolt	4	M12x35	SUS304	
22	142-165-10	Spring Washer	4	M12	SUS304	
23	050-000-80	Motor Bracket	1		FC	
24	122-173-19	O-Ring	1	V-225(222.5xd6)	NBR	*
25	142-000-08	Wave Washer	1	6306B(d71xd59x4.0t)	SK5	
26	052-000-25	Bearing (w/O-ring)	1	AC-6306ZZC3		
27	058-000-09	Lead Wire Protection Plate	1	d86xd224x1.6t	SPHC	
28	055-000-69	Rotor	1Set			
29	147-011-15	Impeller Key	1	12x8x40	SUS420	
30	053-310-13	Motor Protector	3	9700K-76-215	(H)	
31	056-B91-15	Stator 208/230V-60Hz(USA)	1Set			
31	056-B92-16	Stator 460V-60Hz(USA)	1Set			
32	064-000-12	Motor Frame	1		FC	
33	140-100-11	Hex.Bolt	4	M12x45	SUS304	
34	142-165-10	Spring Washer	4	M12	SUS304	
35	122-173-19	O-Ring	1	V-225(222.5xd6)	NBR	*
36	140-032-37	Hex.Bolt	3	M6x15	SWRM	
37	062-224-17	Bearing Fixing Plate	1	d98xd140x4.5t	SS	
38	052-141-18	Bearing	1Set	6310ZZD2C3		

PARTS LIST		SEWAGE & WASTEWATER PUMP				10/26/2017
ITEM	PART No.	DESCRIPTION	QTY	SIZE	MATERIAL	NOTES
39	142-000-09	Bearing Washer	1	50x61x74x1.2t	SUS	
40	141-000-03	Bearing Nut	1	70x2.5x11	SUS304	
41	060-431-13	Bearing Housing	1		FC	
42	121-247-12	Packing	2	d12.3xd18x2t	PE	*
43	035-113-18	Oil Plug	2	M12x14	SUS304	
44	140-099-16	Hex.Bolt	2	M12x40	SUS304	
45	142-165-10	Spring Washer	2	M12	SUS304	
46	140-104-15	Hex.Bolt	4	M12x65	SUS304	
47	142-165-10	Spring Washer	4	M12	SUS304	
48	025-000-61	Mechanical Seal	1	H-40X(E )	SiC	interchangeable with OLD part# 025-000-38
49	143-070-23	Pan Screw	2	M5x6	SWRM	
50	030-141-10	Oil Lifter	1	H-40(T)	Resin	
51	143-070-10	Pan Screw	3	M5x6	SWRM	
52	030-149-18	Seal Stopper	1	H-40/45	SPCC	
53	122-159-19	O-Ring	1	G-280(279.3xd5.7)	NBR	*
54	029-191-11	Oil Casing	1	110-CE2	FC	
55	026-117-14	Oil Seal	1	TC-709212	NBR	
56	021M6714	Impeller (60Hz)	1	80UZ411-64	FC	
57	144-293-27	Hex.Socket Set Screw	2	M6x12	SUS304	
58	142-202-10	Impeller Fixing Washer	1	d13xd50x15t	SUS304	
59	142-000-22	Spring Washer	1	M12(CP)	SUS304	
60	140-303-16	Hex.Socket Cap Bolt	1	M12x40	SUS304	
61	020-002-50	Pump Casing	1	80US411L-50/60	FC	interchangeable with OLD part# 020-A40-17
62	140-130-36	Hex.Bolt	8	M16x70	SWRM	
63	048-000-54	Screwed Flange	1	NPT-3(JIS10K)	FC	
64	121-105-33	Packing	1	JIS10Kx80mm	NR	
65	037-169-15	Discharge Bend	1	80x80mm	FC	
66	142-166-37	Spring Washer	8	M16	SWRH	
67	141-008-11	Hex.Nut	8	M16	SUS304	
68	140-124-11	Hex.Bolt	4	M16x40	SUS304	
69	121-152-19	Packing	1	145mm2(P.C.145)	NBR	*
	173-002-59	<b>Packing O-Ring Set</b>	1Set	(Marked by *)		
24	122-173-19	O-Ring (M.Bracket/M.Frame)	1	V-225(222.5xd6)	NBR	*
35	122-173-19	O-Ring (M.Frame/Brg.Housing)	1	V-225(222.5xd6)	NBR	*
42	121-247-12	Packing (Oil Plug)	2	d12.3xd18x2t	PE	*
53	122-159-19	O-Ring (Brg.Housing/O.Casing)	1	G-280(279.3xd5.7)	NBR	*
69	121-152-19	Packing (Discharge Bend)	1	145mm2(P.C.145)	NBR	*
		Lubricant		Turbine Oil VG32 6,500ml		

PARTS LIST		SEWAGE & WASTEWATER PUMP				10/26/2017
ITEM	PART No.	DESCRIPTION	QTY	SIZE	MATERIAL	NOTES

## EXPLODED VIEW

80UZ411-54/64



C-01263-1