

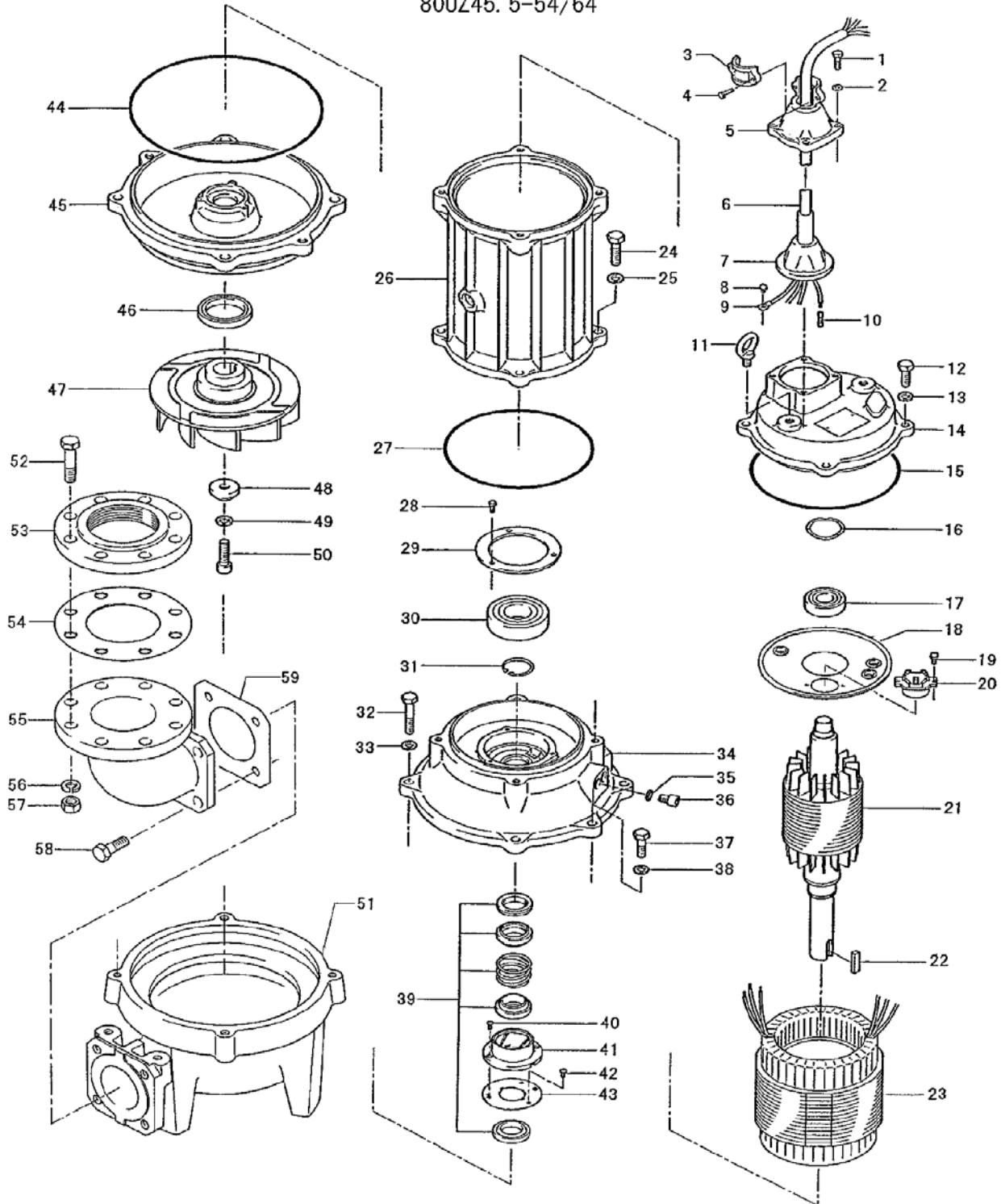
PARTS LIST		SEWAGE & WASTEWATER PUMP			10/26/2017	
ITEM	PART No.	DESCRIPTION	QTY	SIZE	MATERIAL	NOTES
1	140-055-10	Hex.Bolt	4	M8x25	SUS304	
2	142-163-18	Spring Washer	4	M8	SUS304	
3	070-107-18	Cable Clamp	1		FC	
4	140-035-14	Hex.Bolt	2	M6x20	SUS304	
5	006-126-14	Stuffing Box	1	No.2	FC	
6	001-936-23	Cabletyre Cable Set (32') 60Hz (USA)	1	2PNCT4Cx3.5mm2	KR-2	
7	008-142-12	Mould Cover 60Hz (USA)	1	KR2-7	CR	
8	143-085-21	Pan Screw (w/Spring Washer)	1	M4x6	SWRM	
9	009-122-19	Terminal	1	R-3.5-4	CU	
10	009-275-18	Compression type Terminal	3	TGNB-5.5(Insulated)	CU	
11	072-102-48	Eye Bolt	2	M12	SS	can substitute 072-102-22 (SUS304)
	142-397-13	Washer		d13xd24x0.1t	SUS304	
	142-398-14	Washer		d13xd24x0.3t	SUS304	
12	140-078-19	Hex.Bolt	4	M10x35	SUS304	
13	142-164-19	Spring Washer	4	M10	SUS304	
14	050-000-78	Motor Bracket	1		FC	
15	122-151-11	O-Ring	1	G-200(199.3xd5.7)	NBR	*
16	142-000-07	Wave Washer	1	6305(d61xd51x4.5t)	SK5	
17	052-000-21	Bearing (w/O-ring)	1	AC-6305ZZC3		
18	058-184-11	Lead Wire Protection Plate	1	d90xd224x1.6t	SPHC	
19	143-126-12	Pan Screw (w/Spring Washer/Plain Washer)	2	M4x12	SWRM	
20	053-498-16	Motor Protector 208/230V-60Hz(USA)	1	KA314-HLXL203	(B.C)	
20	053-506-18	Motor Protector 460V-60Hz(USA)	1	KA314-HMXL00	(B.C)	replaces OLD part# 053-439-22
21	055-000-67	Rotor	1Set			
22	147-067-16	Impeller Key	1	10x8x32l	SUS420	
23	056-C11-12	Stator 208/230V-60Hz(USA)	1Set			
23	056-C12-13	Stator 460V-60Hz(USA)	1Set			
24	140-079-10	Hex.Bolt	4	M10x40	SUS304	
25	142-164-19	Spring Washer	4	M10	SUS304	
26	064-000-11	Motor Frame	1		FC	
27	122-151-11	O-Ring	1	G-200(199.3xd5.7)	NBR	*
28	140-032-37	Hex.Bolt	3	M6x15	SWRM	
29	062-223-16	Bearing Fixing Plate	1	d92xd130x4.5t	SS	
30	052-112-10	Bearing	1	6309ZZC3		
31	146-027-11	Retaining Ring	1	C45	SK5	
32	140-104-15	Hex.Bolt	4	M12x65	SUS304	
33	142-165-10	Spring Washer	4	M12	SUS304	
34	060-429-18	Bearing Housing	1		FC	

PARTS LIST		SEWAGE & WASTEWATER PUMP				10/26/2017
ITEM	PART No.	DESCRIPTION	QTY	SIZE	MATERIAL	NOTES
35	121-247-12	Packing	2	d12.3xd18x2t	PE	*
36	035-113-18	Oil Plug	2	M12x14	SUS304	
37	140-099-16	Hex.Bolt	2	M12x40	SUS304	
38	142-165-10	Spring Washer	2	M12	SUS304	
39	025-280-16	Mechanical Seal	1	H-35A	SiC+CCBN	
40	143-070-23	Pan Screw	2	M5x6	SWRM	
41	030-156-18	Oil Lifter	1	H-35(A)(T)	Resin	
42	143-070-10	Pan Screw	3	M5x6	SWRM	
43	030-150-12	Seal Stopper	1	H-35(A)(T)	SPCC	
44	122-159-19	O-Ring	1	G-280(279.3xd5.7)	NBR	*
45	029-187-14	Oil Casing	1	100-5.5/7.5-4B2	FC	
46	026-115-12	Oil Seal	1	TC-608212	NBR	
47	021M5812	Impeller (60Hz)	1	80UZ45.5-64	FC	
48	142-366-13	Impeller Washer	1	d20xd40x16l	SUS304	
49	142-000-22	Spring Washer	1	M12(CP)	SUS304	
50	140-303-16	Hex.Socket Cap Bolt	1	M12x40	SUS304	
51	020-002-48	Pump Casing	1	80US45.5L-50/60	FC	interchangable with OLD part# 020-A34-18
52	140-130-36	Hex.Bolt	8	M16x70	SWRM	included in BEND80x80 kit (specify ANSI or NPT)
53	048-000-54	Screwed Flange	1	NPT-3(JIS10K)	FC	included in BEND80x80 kit (specify ANSI or NPT)
54	121-105-33	Packing	1	JIS10Kx80mm	NR	included in BEND80x80 kit (specify ANSI or NPT)
55	037-169-15	Discharge Bend	1	80x80mm	FC	included in BEND80x80 kit (specify ANSI or NPT)
56	142-166-37	Spring Washer	8	M16	SWRH	included in BEND80x80 kit (specify ANSI or NPT)
57	141-008-11	Hex.Nut	8	M16	SUS304	included in BEND80x80 kit (specify ANSI or NPT)
58	140-124-11	Hex.Bolt	4	M16x40	SUS304	included in BEND80x80 kit (specify ANSI or NPT)
59	121-152-19	Packing	1	145mm2(P.C.145)	NBR	* included in BEND80x80 kit (specify ANSI or NPT)
	173-002-58	Packing O-Ring Set	1Set	(Marked by *)		
15	122-151-11	O-Ring (M.Bracket/M.Frame)	1	G-200(199.3xd5.7)	NBR	*
27	122-151-11	O-Ring (M.Frame/Brg.Housing)	1	G-200(199.3xd5.7)	NBR	*
35	121-247-12	Packing (Oil Plug)	2	d12.3xd18x2t	PE	*
44	122-159-19	O-Ring (Brg.Housing/O.Casing)	1	G-280(279.3xd5.7)	NBR	*
59	121-152-19	Packing (Discharge Bend)	1	145mm2(P.C.145)	NBR	*
		Lubricant		Turbine Oil VG32 4,300ml		

PARTS LIST		SEWAGE & WASTEWATER PUMP				10/26/2017
ITEM	PART No.	DESCRIPTION	QTY	SIZE	MATERIAL	NOTES

EXPLODED VIEW

80UZ45.5-54/64



C-01229-1