

PARTS LIST		HIGH VOLUME DEWATERING PUMP			11/8/2019	
ITEM	PART No.	DESCRIPTION	QTY	SIZE	MATERIAL	NOTES
1	001-509-36	Cabtyre Cable Set (50') 60Hz(USA)	1	2PNCTF4Cx3.5mm2	KR-2	interchangable w/OLD# 001-312-30
2	070-107-18	Cable Clamp	1		FC	included with ITEM#1 Cable Ass'y
3	140-035-14	Hex.Bolt	2	M6x20	SUS304	included with ITEM#1 Cable Ass'y
4	006-126-14	Stuffing Box	1	No.2	FC	included with ITEM#1 Cable Ass'y
5	140-055-10	Hex.Bolt	4	M8x25	SUS304	
6	008-143-13	Mould Cover	1	KR2-8	CR	included with ITEM#1 Cable Ass'y
7	141-004-17	Hex.Nut	1	M6	SUS304	
8	010-120-18	Cable Clip	1	No.2-1	SPC	
9	010-121-19	Cable Clip Rubber	1	No.1	NBR	
10	011-110-11	Shackle	1	6mm(M8,SC)	SS	
11	140-081-15	Hex.Bolt	4	M10x50	SUS304	
12	142-164-19	Spring Washer	4	M10	SUS304	
13	142-128-24	Plain Washer	1	M10	SPC	
14	095-000-95	Chain	1	4mm(4L)	SS	replaces OLD# 095-131-18 (3L)
15	070-103-10	L-Shape Fitting	1	KT-55	SPC	
16	140-033-12	Hex.Bolt	1	M6x16	SUS304	
17	002-129-15	Heat Shrink Tube (Sold per meter)	m	EVA(d14x1t)	(Vm)	
18	002-132-11	Heat Shrink Tube (Sold per meter)	m	A4(d17x0.27t)	(Vm)	
19	053-196-11	Motor Protector 208/230V-60Hz(USA)	1	KA314-HLXL00	(B.C)	
	053-222-17	Motor Protector 460V-60Hz(USA)	1	KA314-HRXL202	(H.C)	
	053-254-18	Motor Protector 575V-60Hz(USA)	1	KA313-GCXL103	(H.C)	
20	143-126-12	Pan Screw (w/Spring Washer/Plain Washer)	2	M4x12	SWRM	
21	009-123-10	Terminal	3	P-5.5	CU	included with ITEM#1 Cable Ass'y
22	009-101-12	Terminal(C/W Screw)	3	d12x(d6.6xd6.6)x25l	C3604	
23	009-123-10	Terminal	3	P-5.5	CU	
24	143-085-21	Pan Screw (w/Spring Washer)	1	M4x6	SWRM	
25						
26	009-143-16	Terminal	1	R-3.5-5S	CU	included with ITEM#1 Cable Ass'y
27	050-363-12	Motor Bracket	1		FC	
28	142-197-11	Wave Washer	1	6305	SK5	
29	052-108-13	Bearing	1	6305ZZC3		
30	058-155-13	Lead Wire Protection Plate	1	d78xd180x1.6t	Bakelite	
31	055-453-15	Rotor	1Set			
32	147-019-13	Impeller Key	1	7x7x32l	SUS420	
33	140-000-01	Hex.Bolt	4	M10x30(B=14)	SUS304	
34	032-162-13	Hose Coupling 4"	1	GH-37L(NPT-4)	FC	
	032-163-14	Hose Coupling 6" OPTION	1	NPT-6	FC	6" OPTIONAL discharge
35	122-132-16	O-Ring	1	G-105(104.4xd3.1)	NBR	*

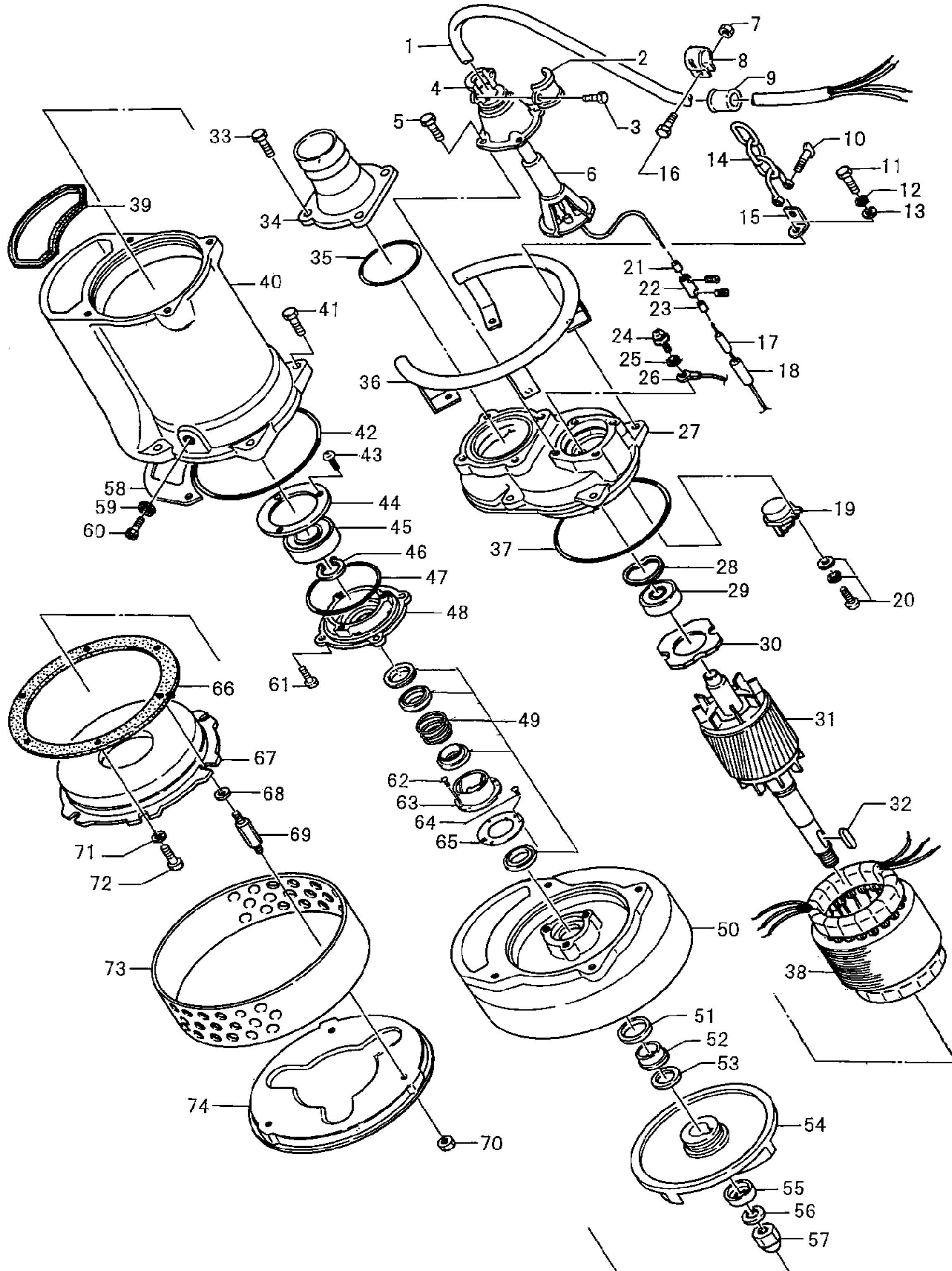
PARTS LIST		HIGH VOLUME DEWATERING PUMP			11/8/2019	
ITEM	PART No.	DESCRIPTION	QTY	SIZE	MATERIAL	NOTES
36	068-235-19	Handle	1	KRS2-5.5KW	SGP+SP	
37	122-410-11	O-Ring	1	190xd3.8	NBR	*
38		Stator 208/230V-60Hz(USA)	1Set			
	056-001-94	Stator 460V-60Hz(USA)	1Set			
		Stator 575V-60Hz(USA)	1Set			
39	121-409-14	Packing (Water Way, Upp.)	1	KRS2-5.5KW	NBR	*
40	064-443-10	Motor Frame	1		FC	
41	140-099-16	Hex.Bolt	4	M12x40	SUS304	
42	122-310-10	O-Ring	1	200xd3.5	NBR	*
43	143-042-13	Pan Screw	3	M6x10	SWRM	
44	062-116-15	Bearing Fixing Plate	1	d80xd115x3.2t	SS	
45	052-111-19	Bearing	1	6308ZZC3		
46	146-025-19	Retaining Ring	1	C40	SK5	
47	122-134-18	O-Ring	1	G-115(114.4xd3.1)	NBR	*
48	060-272-14	Bearing Housing	1		FC	
49	025-194-12	Mechanical Seal	1	H-30	SiC	
50	020-379-18	Pump Casing	1	KRS-B4	FC	
51	026-109-13	Oil Seal	1	TC-355511	NBR	
52	071-127-46	Shaft Sleeve	1	KRS-3.7/5.5KW	SUS403	
53	040-109-20	Impeller Shim		d27.5xd52x0.3t	SUS304	
54	021-539-37	Impeller (60Hz)	1	KRS-B4	FCD	
	021-539-40	Impeller (60Hz) HiCR OPTION	1	KRS-B4	HiCR	OPTIONAL HiCR impeller
55	047-106-15	Impeller Thread Protect.Cover	1	No.5(26)	SPC	
56	142-170-18	Spring Washer	1	M24	SUS304	
57	157-006-18	Impeller Nut	1	M24,P3(B=35,Hex.Cap Nut)	S35C	
58	121-128-16	Packing (Water Way, Low.)	1	KRS-3.7/5.5	NBR	*
59	121-247-12	Packing	1	d12.3xd18x2t	PE	*
60	035-113-18	Oil Plug	1	M12x14	SUS304	
61	140-054-48	Hex.Bolt	4	M8x20	SWRM	
62	143-070-23	Pan Screw	2	M5x6	SWRM	
63	030-142-11	Oil Lifter	1	H-30(A)(T)	Resin	
64	143-070-10	Pan Screw	3	M5x6	SWRM	
65	030-151-13	Seal Stopper	1	H-30(A)(T)	SPCC	
66	120-129-14	Packing (S.Cover)		d230xd288x0.5t	PE	
67	022-369-24	Suction Cover	1	KRS-B4	FC	
68	142-129-12	Plain Washer	3	M12	SUS304	
69	144-121-23	Stud Bolt	3	M12x86(16/20)	SUS403	
70	141-007-10	Hex.Nut	3	M12	SUS304	

PARTS LIST		HIGH VOLUME DEWATERING PUMP				11/8/2019
ITEM	PART No.	DESCRIPTION	QTY	SIZE	MATERIAL	NOTES
71	142-129-12	Plain Washer	3	M12	SUS304	
72	140-096-13	Hex.Bolt	3	M12x25	SUS304	
73	023-212-11	Strainer	1	KRS-B3/B4	SPC	
74	049-134-18	Bottom Plate	1	KRS-C4/A4	SPC	
	173-435-10	<b>Packing O-Ring Set</b>	1Set	(Marked by *)		
35	122-132-16	O-Ring (Hose Coupling)	1	G-105(104.4xd3.1)	NBR	*
37	122-410-11	O-Ring (M.Bracket/M.Frame)	1	190xd3.8	NBR	*
39	121-409-14	Packing (Water Way, Upp.)	1	KRS2-5.5KW	NBR	*
42	122-310-10	O-Ring (M.Frame/P.Casing)	1	200xd3.5	NBR	*
47	122-134-18	O-Ring (M.Frame/Brg.Housing)	1	G-115(114.4xd3.1)	NBR	*
58	121-128-16	Packing (Water Way, Low.)	1	KRS-3.7/5.5	NBR	*
59	121-247-12	Packing (Oil Plug)	1	d12.3xd18x2t	PE	*
		Lubricant		Turbine Oil VG32 1,850ml		
	183-010-16	Impeller Puller		A No.5 1"1/2"	FC	

PARTS LIST		HIGH VOLUME DEWATERING PUMP		11/8/2019		
ITEM	PART No.	DESCRIPTION	QTY	SIZE	MATERIAL	NOTES

## EXPLODED VIEW

KRS2-D4/B4



\* Indicates items included in set



MODEL **KRS2-B4**

PARTS LIST		HIGH VOLUME DEWATERING PUMP				11/8/2019
ITEM	PART No.	DESCRIPTION	QTY	SIZE	MATERIAL	NOTES