

PARTS LIST		DEWATERING PUMP				1/21/2020
ITEM	PART No.	DESCRIPTION	QTY	SIZE	MATERIAL	NOTES
1	001-007-57	Cabletyre Cable Assembly (50') 460/575V-60Hz (USA)	1	2PNCTF4Cx14mm2	(Vm)	
2	140-056-53	Hex.Bolt	4	M8x30	SUS304	
3	141-005-18	Hex.Nut	4	M8	SUS304	
4	003-000-15	Gland	1	KRS-819/822	FC	
5	004-134-19	Cable Bush	1	d33xd58.5x24l	NBR	
6	005-123-18	Bush Washer	1	d35xd57x3.2t	SPC	
7	140-076-17	Hex.Bolt	4	M10x30	SUS304	
8	142-164-19	Spring Washer	4	M10	SUS304	
9	006-119-27	Stuffing Box	1	KRS-8L	FC	
10	122-135-19	O-Ring	1	G-120(119.4xd3.1)	NBR	*
11	008-132-19	Mould Cover	1	KRS-819/822(L)	NBR	
12	010-143-10	Cable Clip	2	No.5	SPC	
13	141-005-18	Hex.Nut	4	M8	SUS304	
14	140-057-12	Hex.Bolt	1	M8x35	SUS304	
15	142-127-23	Plain Washer	2	M8	SPC	
16	140-054-19	Hex.Bolt	3	M8x20	SUS304	
17	095-100-18	Chain	1	d5(9-Link)	SS	
18	141-004-46	Hex.Nut	3	M6	C3604	
19	009-168-17	Terminal	3	R-22-S6	CU	
20	009-168-17	Terminal	3	R-22-S6	CU	
21	140-029-31	Hex.Bolt	3	M6x10	C3604	
22	002-115-18	Heat Shrink Tube (Sold per meter)	m	EVA(d16.5x1t)	(Vm)	
23	002-116-19	Heat Shrink Tube (Sold per meter)	m	A4(d20x0.35t)	(Vm)	
24	003-149-14	Gland (Lower)	1	No.5	FC	
25	009-168-17	Terminal	1	R-22-S6	CU	
26	140-033-25	Hex.Bolt	4	M6x16	SWRM	
27	140-098-15	Hex.Bolt	6	M12x35	SUS304	
28	032-255-14	Hose Coupling 8" NPT	1	NPT-8(KRS)	FC	
	032-395-17	Hose Coupling 6" NPT (option)	1	NPT-6(KRS)	FC	6" NPT OPTION
29	121-144-18	Packing	1	KRZ8(P.C.236xd190)	NBR	*
30	140-132-12	Hex.Bolt	5	M16x80	SUS304	
31	142-166-11	Spring Washer	5	M16	SUS304	
32	068-267-10	Handle	1	KRS819/822(L)-50/60	SGP+SS	
33	140-127-14	Hex.Bolt	1	M16x55	SUS304	
34	142-166-11	Spring Washer	1	M16	SUS304	
35	140-101-12	Hex.Bolt	2	M12x50	SUS304	
36	142-165-10	Spring Washer	2	M12	SUS304	
37	050-425-13	Motor Bracket	1		FC	DISCONTINUED

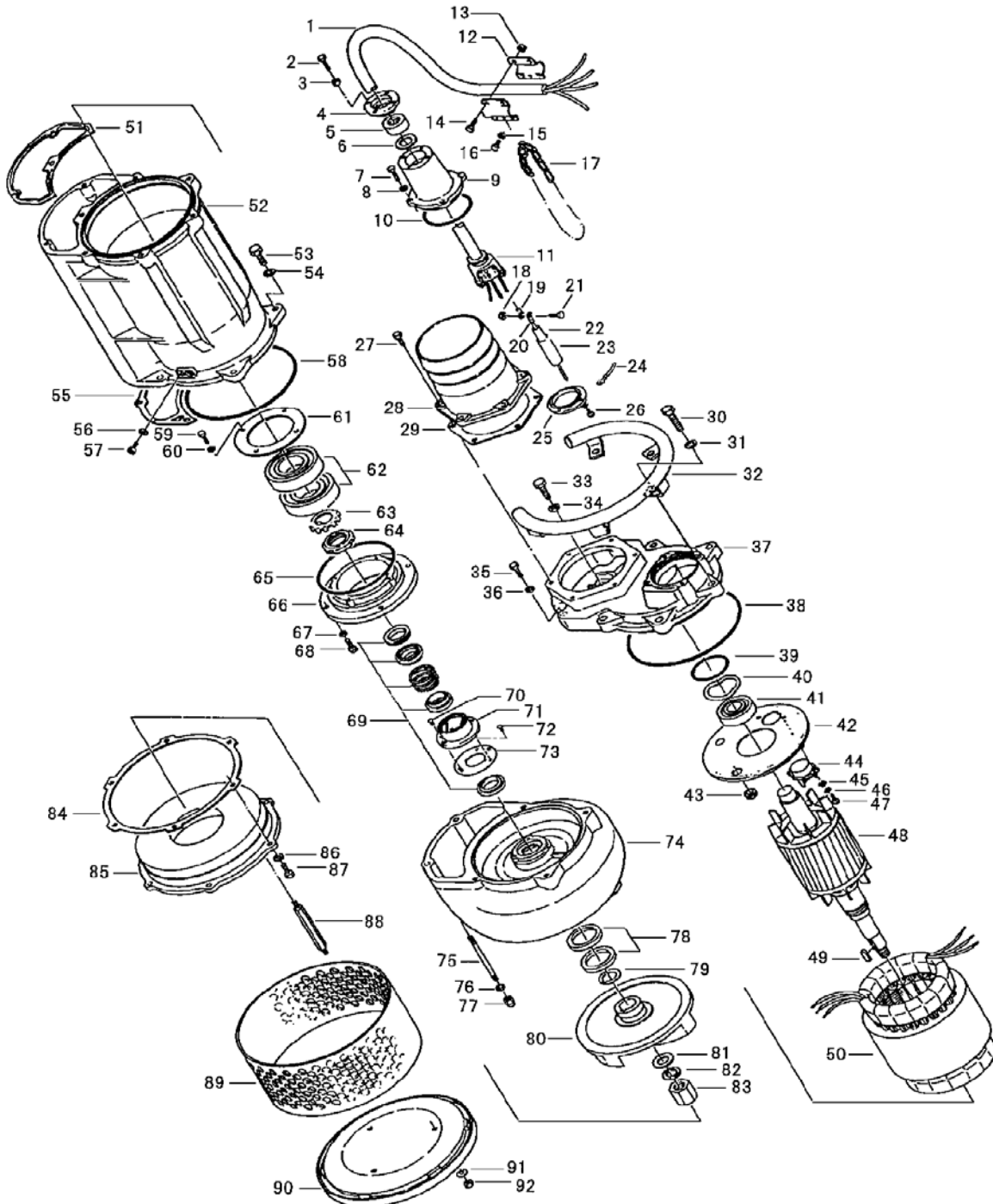
PARTS LIST		DEWATERING PUMP			1/21/2020	
ITEM	PART No.	DESCRIPTION	QTY	SIZE	MATERIAL	NOTES
38	122-468-14	O-Ring	1	304.3xd5.7	NBR	*
39	122-131-15	O-Ring	1	G-100(99.4xd3.1)	NBR	*
40	142-201-19	Wave Washer	1	6309	SK5	
41	052-112-10	Bearing	1	6309ZZC3		
42	058-181-18	Lead Wire Protection Plate	1	d110xd304x3.2t	SPHC	
43	016-135-17	Lead Wire Protection Bush	2	KG-032(L=120)	Nylon	
44		Motor Protector	1			
45	142-112-25	Plain Washer	2	M5	SPC	
46	142-161-32	Spring Washer	2	M5	SWRH	
47	143-032-10	Pan Screw	2	M5x16	SWRM	
48	055-714-17	Rotor	1Set			
49	147-007-18	Impeller Key	1	12x8x50l	SUS304	
50		Stator	1Set			
51	121-510-19	Packing (Water Way, Upp.)	1	KRS819/822(L)-50/60	CR	*
52	064-494-29	Motor Frame	1		FC	
53	140-126-13	Hex.Bolt	4	M16x50	SUS304	
54	142-166-11	Spring Washer	4	M16	SUS304	
55	121-132-13	Packing (Water Way, Low.)	1	KRS-8H/8M	NBR	*
56	121-247-12	Packing	2	d12.3xd18x2t	PE	*
57	035-113-18	Oil Plug	2	M12x14	SUS304	
58	122-161-14	O-Ring	1	G-300(299.3xd5.7)	NBR	*
59	140-054-48	Hex.Bolt	4	M8x20	SWRM	
60	142-163-34	Spring Washer	4	M8	SWRH	
61	062-216-16	Bearing Fixing Plate	1	KRS819/822(L)-50/60	SS	
62	052-145-12	Bearing	1Set	6314ZZD2C3		
63	142-247-17	Bearing Washer	1	AW14	SPCC	
64	141-079-13	Bearing Nut	1	AN14	SS	
65	122-152-12	O-Ring	1	G-210(209.3xd5.7)	NBR	*
66	060-413-19	Bearing Housing	1		FC	
67	142-164-19	Spring Washer	4	M10	SUS304	
68	140-078-19	Hex.Bolt	4	M10x35	SUS304	
69	025-000-62	Mechanical Seal	1	H-45X	SiC	changed from 025-197-15 by TB M63-003
70	143-070-23	Pan Screw	2	M5x6	SWRM	
71	030-140-19	Oil Lifter	1	H-45	Resin	
72	030-149-18	Seal Stopper	1	H-40/45	SPCC	
73	143-070-10	Pan Screw	3	M5x6	SWRM	
74	020-464-11	Pump Casing	1	KRS-8H/8M	FC	
75	144-148-13	Stud Bolt	2	M12x175(18/18)	SUS403	

PARTS LIST		DEWATERING PUMP				1/21/2020
ITEM	PART No.	DESCRIPTION	QTY	SIZE	MATERIAL	NOTES
76	142-165-10	Spring Washer	2	M12	SUS304	
77	141-032-14	Hex.Cap Nut	2	M12	SUS304	
78	026-117-14	Oil Seal	2	TC-709212	NBR	
79	040-111-12	Impeller Shim		d42.5xd59x0.3t	SUS304	
80	021-737-24	Impeller (60Hz)	1	KRS819-60	FCD	
81	142-387-10	Impeller Fixing Washer	1	d31xd8x13t	SUS304	
82	142-171-19	Spring Washer	1	M30	SUS304	
83	157-005-17	Impeller Nut	1	M30,P3.5(Hex.Cap)	S35C	
84	120-106-15	Packing (S.Cover)		d360xd390x0.5t	PE	
85	022-144-21	Suction Cover	1	KRZ-19/22H	FC	
86	142-129-25	Plain Washer	6	M12	SPC	
87	140-098-15	Hex.Bolt	6	M12x35	SUS304	
88	144-000-88	Stud Bolt	3	M12x211(20/24)	SUS403	
89	023-120-11	Strainer	1	KRZ-19/22KW	SPC	
90	049-117-15	Bottom Plate	1		FCD	
91	142-129-25	Plain Washer	3	M12	SPC	
92	141-007-10	Hex.Nut	3	M12	SUS304	
	173-519-19	<b>Packing O-Ring Set</b>	1Set	(Marked by *)		
10	122-135-19	O-Ring (S.Box)	1	G-120(119.4xd3.1)	NBR	*
29	121-144-18	Packing (Hose Coupling)	1	KRZ8(P.C.236xd190)	NBR	*
38	122-468-14	O-Ring (M.Bracket/M.Frame)	1	304.3xd5.7	NBR	*
39	122-131-15	O-Ring (Upp. Bearing)	1	G-100(99.4xd3.1)	NBR	*
51	121-510-19	Packing (Water Way, Upp.)	1	KRS819/822(L)-50/60	CR	*
55	121-132-13	Packing (Water Way, Low.)	1	KRS-8H/8M	NBR	*
56	121-247-12	Packing (Oil Plug)	2	d12.3xd18x2t	PE	*
58	122-161-14	O-Ring (M.Frame/P.Casing)	1	G-300(299.3xd5.7)	NBR	*
65	122-152-12	O-Ring (M.Frame/Brq.Housing)	1	G-210(209.3xd5.7)	NBR	*
		Lubricant		Turbine Oil VG32 6,500ml		
	183-003-16	Impeller Puller		B No.3	FCD	

PARTS LIST		DEWATERING PUMP				1/21/2020
ITEM	PART No.	DESCRIPTION	QTY	SIZE	MATERIAL	NOTES

## EXPLODED VIEW

KRS819-50/60  
KRS822-50/60  
KRS822L-50/60



C-01362-1