

PARTS LIST		AUTOMATIC DEWATERING PUMP				10/27/2017
ITEM	PART No.	DESCRIPTION	QTY	SIZE	MATERIAL	NOTES
1	140-074-15	Hex.Bolt	2	M10x20	SUS304	
2	068-000-34	Handle	1	KTZ21.5/32.2 (w/Shackle)H=150	SPC+NBR	
3	010-126-17	Cable Clip Rubber	1	HS2	NBR	
4	010-105-10	Cable Clip	1	SB	SPC	
5	140-018-37	Hex.Bolt	1	M5x15	SWRM	
6	141-003-58	Hex.Nut	1	M5	SWRM	
7	140-427-17	Hex.Bolt (w/Plain Washer)	2	M5x15	SUS304	
8	003-190-10	Gland	1		SUS316	
9	001-803-33	Cabtyre Cable Set (50') 60Hz(USA)	1	VCT4Cx1.25mm2	LBT	
10	140-080-14	Hex.Bolt	2	M10x45	SUS304	
11	142-128-24	Plain Washer	2	M10	SPC	
12	032-000-88	Hose Coupling	1	NPT-3(KTZ,PC100)	FC	
13	121-001-47	Packing	1	KTZ-1.5/2.2	NBR	*
14	032-000-81	Hose Coupling(Attachment)	1	KTZ-1.5/2.2,PC107	ADC	
15	141-006-19	Hex.Nut	2	M10	SUS304	
16	140-000-01	Hex.Bolt	4	M10x30(B=14)	SUS304	
17	142-128-24	Plain Washer	4	M10	SPC	
18	121-181-17	Packing	1	KT-15	NBR	*
19	140-068-16	Hex.Bolt	4	M8x90	SUS304	
20	142-163-18	Spring Washer	4	M8	SUS304	
21	051-000-49	Motor Head Cover	1		FC	
22	122-140-17	O-Ring	1	G-145(144.4xd3.1)	NBR	*
23	009-292-11	Earth Terminal	1Set	1.25mm2x140L		
24	143-085-21	Pan Screw (w/Spring Washer)	1	M4x6	SWRM	
25	009-000-27	Intermediate Lead Wire 208/220V-60Hz(USA)	1Set	2mm2x160L (Black,TMEV2-4)		
	009-001-36	Intermediate Lead Wire 460V-60Hz(USA)	1Set	2mm2x160L (Black,TMEV2-3.5)		
26	009-000-26	Intermediate Lead Wire 208/220V-60Hz(USA)	1Set	2mm2x160L (Red,TMEV2-4)		
	009-001-35	Intermediate Lead Wire 460V-60Hz(USA)	1Set	2mm2x160L (Red,TMEV2-3.5)		
27	009-000-28	Intermediate Lead Wire Solderless Terminal 208/220V-60Hz(USA)	1Set	2mm2x120L(White)		
28	009-285-11	Solderless Terminal 208/220V-60Hz(USA)	2	TMEV-2-4	CU	
	009-001-37	Solderless Terminal 460V-60Hz(USA)	2	TMEV2-3.5	CU	
29	009-001-32	Intermediate Lead Wire	1Set	AWG22x130L (Orange/Yellow)		
30	114-170-11	Electromagnetic Contactor 208/220V-60Hz(USA)	1	G7L-2A-B(DC24V)		
	114-000-86	Electromagnetic Contactor 460V-60Hz(USA)	1	SD-Q11		
31	143-085-21	Pan Screw (w/Spring Washer) 208/220V-60Hz(USA)	2	M4x6	SWRM	
	143-000-61	Pan Screw (w/Spring Washer/Plain Washer) 460V-60Hz(USA)	2	M4x16	SWRM	
32	116-000-01	Fixing Plate	1	G7L-2A-B		
33	115-000-66	Transformer 208/220V-60Hz(USA)	1	EK200/20M		

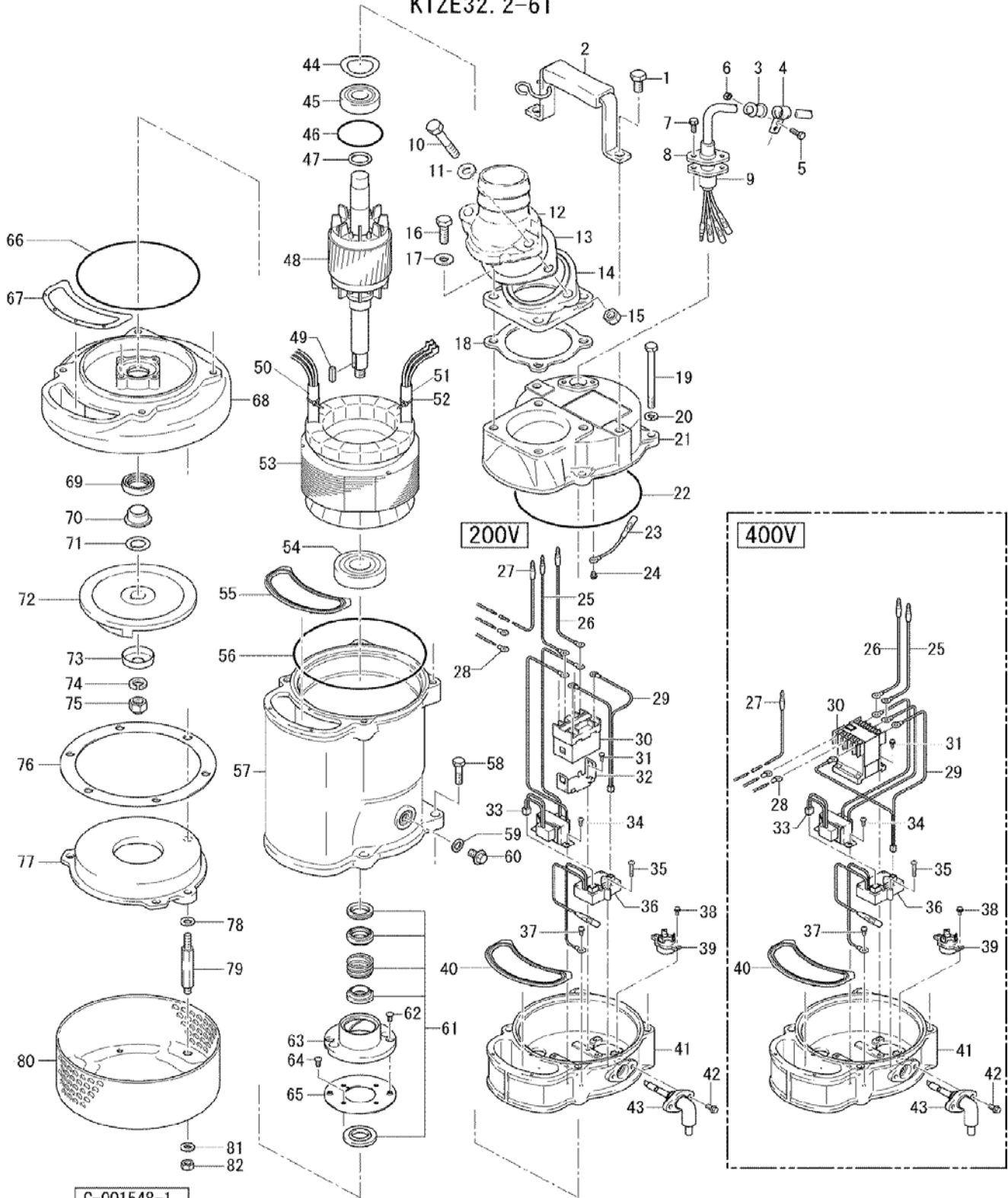
PARTS LIST		AUTOMATIC DEWATERING PUMP				10/27/2017
ITEM	PART No.	DESCRIPTION	QTY	SIZE	MATERIAL	NOTES
	115-000-71	Transformer 460V-60Hz(USA)	1	EK460/20M		
	115-000-72	Transformer 575V-60Hz(USA)	1	EK525/20M		
34	143-169-17	Truss Screw	2	M3x8	SWRM	
35	143-183-17	Truss Screw	3	M3x20	SUS304	
36	114-000-90	Relay Unit	1	ME0K1-IA4		
37	143-085-21	Pan Screw (w/Spring Washer)	1	M4x6	SWRM	
38	143-126-12	Pan Screw (w/Spring Washer/Plain Washer)	2	M4x12	SWRM	
39	053-001-37	Motor Protector 208/220V-60Hz(USA)	1	KA313-GQZL101	(T.C)	
	053-000-13	Motor Protector 460V-60Hz(USA)	1	KA311-DPZL78	(T.C)	
	053-001-94	Motor Protector 575V-60Hz(USA)	1	KA311-DPZN62A	(T.C)	
40	121-507-13	Packing (Water Way, Upp.)	1	KTZ21.5/32.2	NBR	*
41	050-001-02	Middle Bracket	1		FC	
42	140-427-17	Hex.Bolt (w/Plain Washer)	2	M5x15	SUS304	
43	090-000-43	Electrode Level Sensor	1Set	EK-4	CR	interchangable with OLD part# 090-000-40
	090-124-13	Probe Extension (OPTION)	1		SUS304	OPTIONAL ACCESSORY
44	142-389-12	Wave Washer	1	6204	SK5	
45	052-103-18	Bearing	1	6204ZZC3		
46	122-293-16	O-Ring	1	47xd3.1	NBR	*
47	061-174-18	Slinger	1	d20xd27x2t	SPC	
48	055-705-15	Rotor	1Set			
49	147-017-11	Impeller Key	1	5x5x20l	SUS420	
50	002-000-04	Cable Protection Tube	m	NFG-1A,d8	(V/m)	
51	002-000-19	Cable Protection Tube	1	NFG-1AC,d12		
52	181-072-10	Cable Tie	2	T18S,80Lx2.2Bx16D	Nylon	
53	056-001-12	Stator 208/220V-60Hz(USA)	1Set			
	056-001-14	Stator 460V-60Hz(USA)	1Set			
54	052-108-13	Bearing	1	6305ZZC3		
55	121-507-13	Packing (Water Way, Mid)	1	KTZ21.5/32.2	NBR	*
56	122-140-17	O-Ring	1	G-145(144.4xd3.1)	NBR	*
57	064-000-10	Motor Frame	1		FC	
58	140-488-16	Hex.Bolt (w/Spring Washer)	4	M8x30	SUS304	
59	121-246-11	Packing	1	d10.3xd16x2t	PE	*
60	035-125-13	Oil Plug	1	M10x20(B=13)	SUS304	
61	025-243-17	Mechanical Seal	1	H-20T	SIC	
62	143-070-23	Pan Screw	2	M5x6	SWRM	
63	030-144-13	Oil Lifter	1	H-20(A)(T)	Resin	
64	143-070-10	Pan Screw	4	M5x6	SWRM	
65	030-154-16	Seal Stopper	1	H-20T	SPCC	

PARTS LIST		AUTOMATIC DEWATERING PUMP			10/27/2017	
ITEM	PART No.	DESCRIPTION	QTY	SIZE	MATERIAL	NOTES
66	122-139-13	O-Ring	1	G-140(139.4xd3.1)	NBR	*
67	121-501-17	Packing (Water Way, Low.)	1	KTZ21.5/22.2	NBR	*
68	020-001-01	Pump Casing	1	KTZ21.5/32.2	FC	
69	026-105-19	Oil Seal	1	TC-25388	NBR	
70	071-314-13	Shaft Sleeve	1	d20xd25x16l	SUS304	
71	040-104-25	Impeller Shim		d18.2xd29x0.3t	SUS304	
72	021-553-24	Impeller (60Hz)	1	KTZE31.5-61	HiCrFC	
73	047-113-28	Impeller Thread Protect.Cover	1	No.3A(13.5)	SUS304	
74	142-165-10	Spring Washer	1	M12	SUS304	
75	141-032-14	Hex.Cap Nut	1	M12	SUS304	
76	120-110-12	Packing (S.Cover)		d150xd186x0.3t	PE	
77	022-000-53	Suction Cover	1	KTZ31.5/32.2	FCD	
78	142-127-23	Plain Washer	3	M8	SPC	
79	144-000-56	Stud Bolt	3	M8x85(23/12)	SUS410	
80	023-472-11	Strainer Stand	1	KTZ21.5/32.2	SPCC	
81	142-127-23	Plain Washer	3	M8	SPC	
82	141-005-89	Hex.Nut	3	M8	SWRM	
	173-003-36	Packing O-Ring Set	1Set	(Marked by *)		
13	121-001-47	Packing (Hose Coupling)	1	KTZ-1.5/2.2	NBR	*
18	121-181-17	Packing (Hose Coupling)	1	KT-15	NBR	*
22	122-140-17	O-Ring (M.Head Cover/Middle Bracket)	1	G-145(144.4xd3.1)	NBR	*
40	121-507-13	Packing (Water Way, Upp.)	1	KTZ21.5/32.2	NBR	*
46	122-293-16	O-Ring (Upp. Bearing)	1	47xd3.1	NBR	*
55	121-507-13	Packing (Water Way, Mid.)	1	KTZ21.5/32.2	NBR	*
56	122-140-17	O-Ring (Middle Bracket/M.Frame)	1	G-145(144.4xd3.1)	NBR	*
59	121-246-11	Packing (Oil Plug)	1	d10.3xd16x2t	PE	*
66	122-139-13	O-Ring (M.Frame/P.Casing)	1	G-140(139.4xd3.1)	NBR	*
67	121-501-17	Packing (Water Way, Low.)	1	KTZ21.5/22.2	NBR	*
		Lubricant		Turbine Oil VG32 740ml		

PARTS LIST		AUTOMATIC DEWATERING PUMP		10/27/2017		
ITEM	PART No.	DESCRIPTION	QTY	SIZE	MATERIAL	NOTES

EXPLODED VIEW

KTZE31.5-61
KTZE32.2-61



* Indicates items included in set