

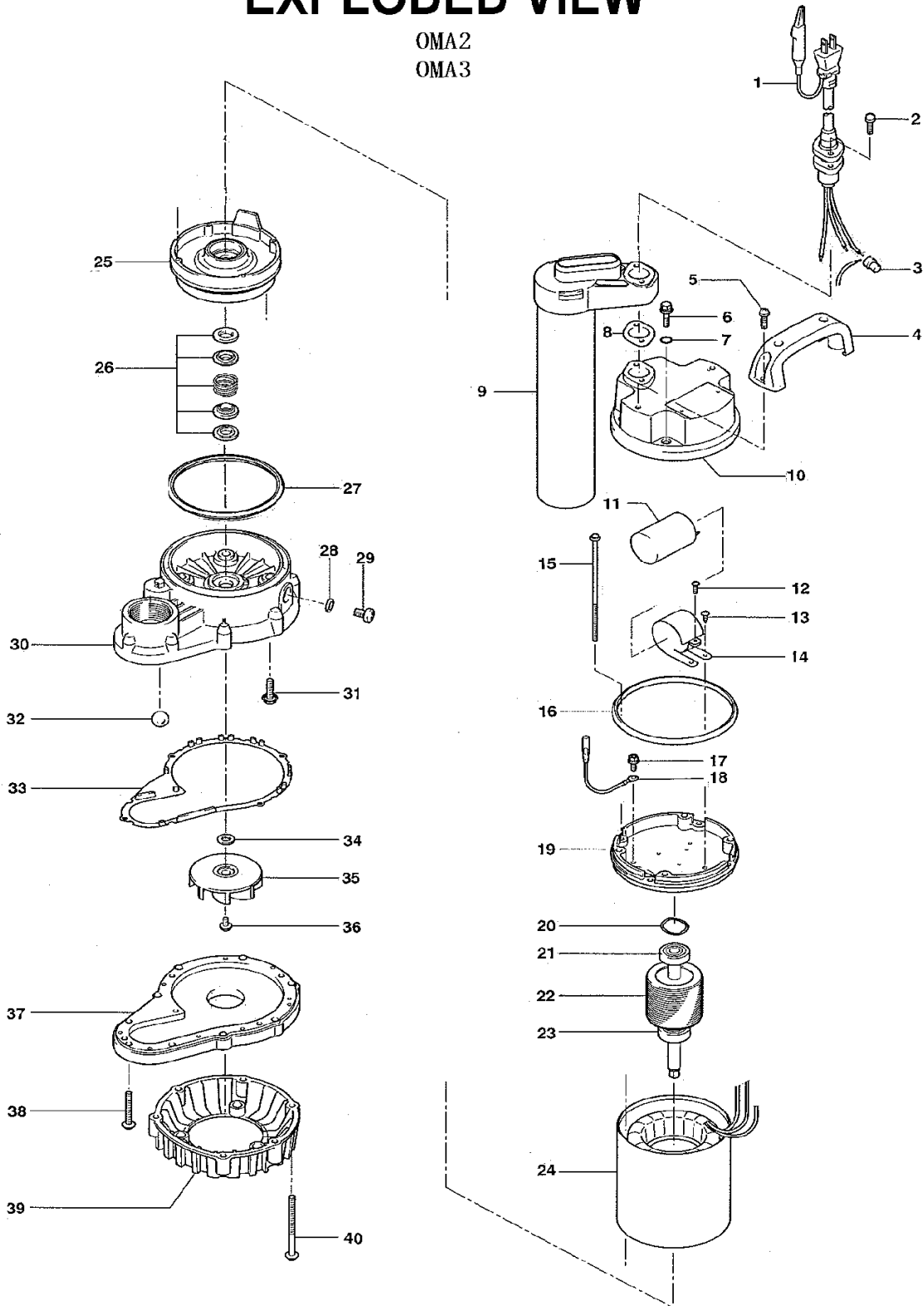
PARTS LIST		AUTOMATIC SUBMERSIBLE PUMP			8/15/2014	
ITEM	PART No.	DESCRIPTION	QTY	SIZE	MATERIAL	NOTES
1	001-002-46	Cabtyre Cable Set (20') 115V-60Hz(USA)	1	VCT3Cx0.75mm2(USA3P)	F-14	
	001-004-32	Cabtyre Cable Set (20') 230V-60Hz(USA)	1	VCT3Cx0.75mm2	TF-18	
2	143-000-20	Tapping Screw (w/Plain Washer)	2	M5x38	SUS304	
3	009-120-17	Terminal	3	1-SD	CU	
4	068-000-19	Handle	1		Resin	
5	143-146-18	Tapping Screw (w/Plain Washer)	2	M5x20	SUS304	
6	140-000-34	Hex.Bolt (w/Spring/Plain Washer)	4	M5x25(14L)	SUS304	
7	122-003-17	O-Ring	4	P-5(4.8xd1.9)	NBR	*
8	121-239-11	Packing	1	FAMILY-10A(P.C.28)	Slicon	*
9	106-000-34	Float Set 115V-60Hz(USA)	1Set	TF-PKM	Resin	interchangable with OLD part# 106-000-11
	106-000-34	Float Set 230V-60Hz(USA)	1Set	TF-PKM	Resin	interchangable with OLD part# 106-000-11
10	051-000-14	Motor Head Cover	1		Resin	
11	076-000-55	Capacitor 115V-60Hz(USA)	1	28MF-220VAC(85)	(T)	
	076-000-24	Capacitor 230V-60Hz(USA)	1	28MF-220VAC		
12	143-000-22	Pan Tapping Screw	1	M3x10	SWCH	
13	143-086-22	Pan Screw (w/Spring Washer)	2	M4x8	SWRM	
14	127-000-23	Capacitor Fixing Plate	1		SPCC	
15	143-000-21	Pan Screw	4	M4x115(30L)	SS	
16	121-001-06	Packing	1	d110.5xd115.5x4.5t	NBR	*
17	140-452-11	Hex.Bolt (w/Spring/Plain Washer)	1	M4x8	C3604	
18	009-000-46	Earth Terminal	1Set	1.25mm2x175L		
19	050-000-34	Motor Bracket	1		ADC	
20	142-388-11	Wave Washer	2	6201(D=30.6)	S65CM	
21	052-100-15	Bearing	1	6201ZZC3		
22	055-002-17	Rotor	1Set	w/Bearing		
23	052-100-15	Bearing	1	6201ZZC3		
24	056-002-19	Stator(w/M.Frame) 115V-60Hz(USA)	1Set	w/Miniature Protector		
	056-002-21	Stator(w/M.Frame) 230V-60Hz(USA)	1Set	w/Miniature Protector		
25	060-001-18	Bearing Housing	1		ADC	
26	025-000-42	Mechanical Seal	1	D-12RC	SSIC	
27	121-001-11	Packing	1	40PU2.15-52/62	NBR	*
28	121-246-11	Packing	1	d10.3xd16x2t	PE	*
29	035-127-15	Oil Plug	1	M10x15	SUS304	
30	020-001-22	Pump Casing (Upper)	1	OM(A)2	Resin	
31	143-000-26	Truss Screw (w/O-Ring)	4	M6x20(P-5,NBR)	SUS304	*
32	203-065-11	Valve	1	d17	Glass	
33	121-000-48	Packing	1	OM(A)2	NBR	*
34	142-390-16	Conical Spring Washer	1	d9.2xd18x0.7t	SUS304	
35	021-004-72	Impeller (60Hz)	1	OMA3	Resin	
36	143-173-14	Truss Screw (w/Plain Washer)	1	M5x10	SUS304	
37	020-001-23	Pump Casing (Lower)	1	OM(A)2	Resin	
38	143-000-15	Tapping Screw (w/Plain Washer)	3	M5x30	SUS304	
39	023-000-42	Strainer Stand	1	OM2	Resin	
40	143-000-18	Tapping Screw (w/Plain Washer)	6	M5x50	SUS304	

PARTS LIST		AUTOMATIC SUBMERSIBLE PUMP			8/15/2014	
ITEM	PART No.	DESCRIPTION	QTY	SIZE	MATERIAL	NOTES
	032-000-30	Bush	1	NPT-1 1/2(OM2)	Resin	
		<b>Packing O-Ring Set</b>				
	173-000-99	Packing O-Ring Set	1Set	(Marked by *)		
7	122-003-17	O-Ring (Head Cover Screw)	4	P-5(4.8xd1.9)	NBR	*
8	121-239-11	Packing (Float Gland)	1	FAMILY-10A(P.C.28)	Slicon	*
16	121-001-06	Packing (Head Cover/M.Frame)	1	d110.5xd115.5x4.5t	NBR	*
27	121-001-11	Packing (M.Frame/Upp. P.Casing)	1	40PU2.15-52/62	NBR	*
28	121-246-11	Packing (Oil Plug)	1	d10.3xd16x2t	PE	*
31	122-003-17	O-Ring (P.Casing Screw)	4	P-5(4.8xd1.9)	NBR	*
33	121-000-48	Packing (Upp./Low. P.Casing)	1	OM(A)2	NBR	*
		Lubricant		Liquid Paraffin VG32 165ml		

PARTS LIST		AUTOMATIC SUBMERSIBLE PUMP			8/15/2014	
ITEM	PART No.	DESCRIPTION	QTY	SIZE	MATERIAL	NOTES

## EXPLODED VIEW

OMA2  
OMA3



C-00000-1