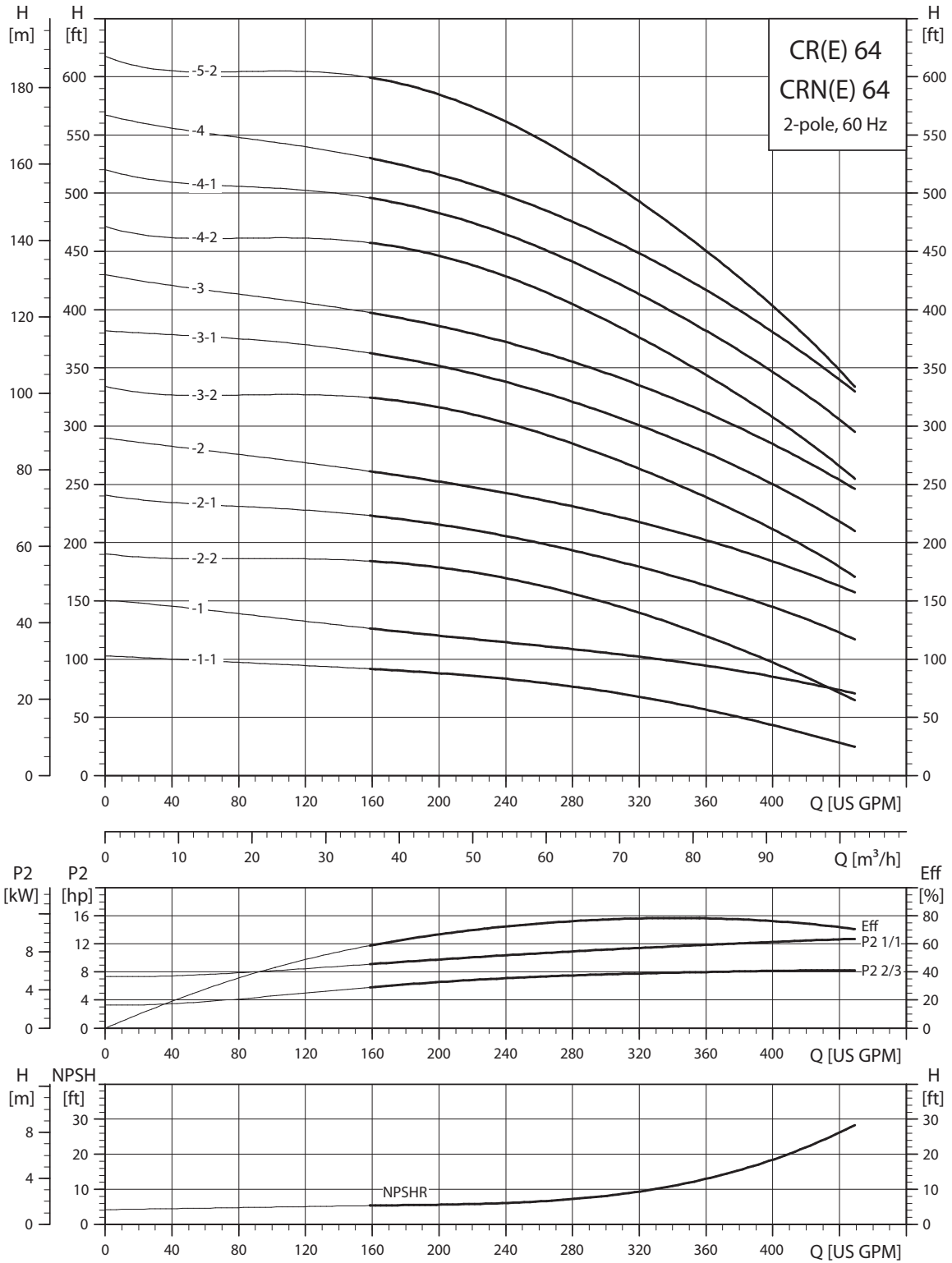
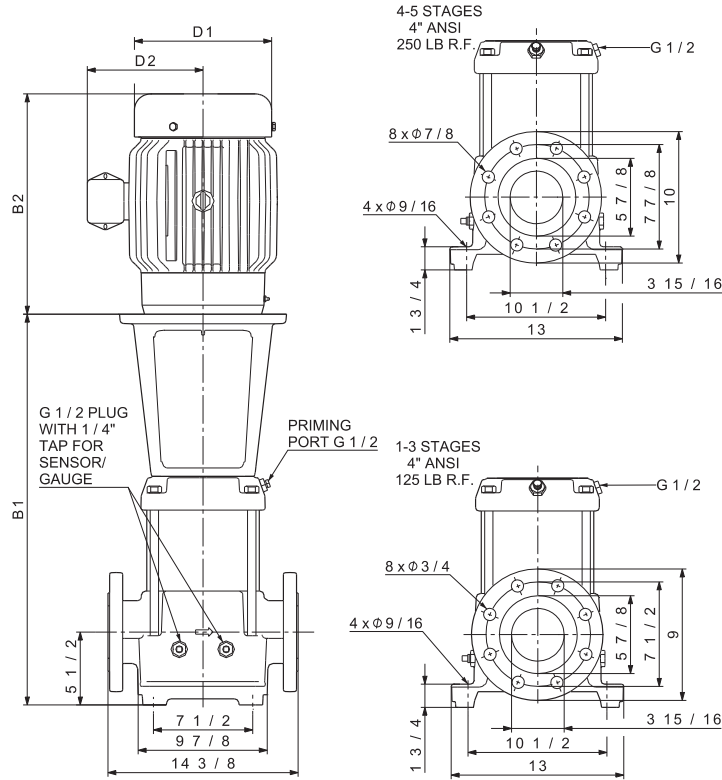


# CR(E), CRN(E) 64



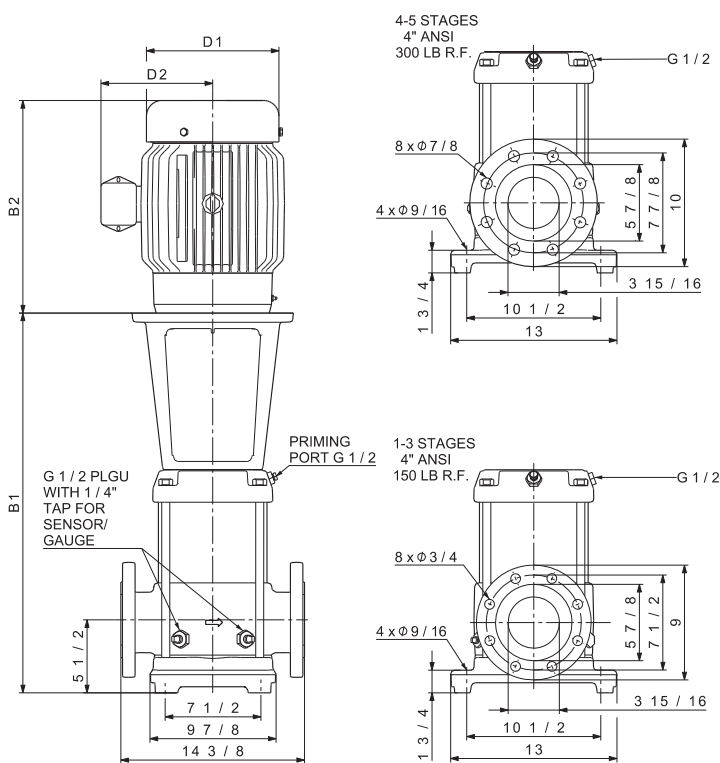
TM02 0041 3804



TM02 7701 1009

Pump type	P2 [hp]	Ph.	Dimensions [inch]											
			B1	TEFC			ODP			Ship Wt. [lbs.]	Dimensions [inch]			Ship Wt. [lbs.]
				D1	D2	B1+B2	D1	D2	B1+B2		MLE			
D1	D2	B1+B2	D1	D2	B1+B2	D1	D2	B1+B2	D1	D2	B1+B2			
CR(E) 64-1-1	10	1	22.09	10.23	10.30	38.16	-	-	-	268	-	-	-	-
		3	22.09	8.66	5.28	37.60	-	-	-	252	10.24	8.39	37.01	274
CR(E) 64-1	15	3	26.42	10.22	8.67	43.00	10.62	7.33	42.73	377	13.39	12.13	45.20	533
CR 64-2-2	20	3	29.69	10.22	8.67	46.27	11.50	8.92	49.38	392	-	-	-	-
CR(E) 64-2-1	20	3	29.69	10.22	8.67	46.27	11.50	8.92	49.38	392	13.39	12.13	48.47	564
CR(E) 64-2	25	3	29.69	12.94	11.52	49.51	11.50	8.94	50.50	438	13.39	12.13	52.41	593
CR(E) 64-3-2	30	3	32.91	15.32	13.11	56.10	11.50	8.94	54.72	609	13.39	12.13	55.63	664
CR 64-3-1	40	3	32.91	15.32	13.11	56.10	13.25	12.21	56.16	624	-	-	-	-
CR 64-3	40	3	32.91	15.32	13.11	56.10	13.25	12.21	56.16	624	-	-	-	-
CR 64-4-2	40	3	36.18	15.32	13.11	59.37	13.25	12.21	59.43	624	-	-	-	-
CR 64-4-1	50	3	36.18	16.88	14.12	63.99	13.25	12.21	58.93	676	-	-	-	-
CR 64-4	50	3	36.18	16.88	14.12	63.99	13.25	12.21	58.93	676	-	-	-	-
CR 64-5-2	60	3	39.41	19.00	14.90	70.20	15.12	13.19	65.54	866	-	-	-	-

1) Weights are based on pump with TEFC motor (see price list for individual weights)  
All dimensions in inches unless otherwise noted.



TM02 7705 1009

Pump type	P2 [hp]	Ph.	ANSI dimensions [inch]									Ship Wt. [lbs.]	ANSI dimensions [inch]				Ship Wt. [lbs.]
			B1	TEFC			ODP			MLE							
				D1	D2	B1+B2	D1	D2	B1+B2	D1	D2		B1+B2				
CRN(E) 64-1-1	10	1	22.09	10.23	10.30	38.16	-	-	-	269	-	-	-	-			
		3	22.09	8.66	5.28	37.60	-	-	-	253	10.24	8.39	37.01	275			
CRN(E) 64-1	15	3	26.42	10.22	8.67	43.00	10.62	7.33	42.73	378	13.39	12.13	45.20	535			
CRN 64-2-2	20	3	29.69	10.22	8.67	46.27	11.50	8.92	49.38	393	-	-	-	-			
CRN(E) 64-2-1	20	3	29.69	10.22	8.67	46.27	11.50	8.92	49.38	393	13.39	12.13	48.47	566			
CRN(E) 64-2	25	3	29.69	12.94	11.52	49.51	11.50	8.94	50.50	440	13.39	12.13	52.41	595			
CRN(E) 64-3-2	30	3	32.91	15.32	13.11	56.10	11.50	8.94	54.72	611	13.39	12.13	55.63	666			
CRN 64-3-1	40	3	32.91	15.32	13.11	56.10	13.25	12.21	56.16	625	-	-	-	-			
CRN 64-3	40	3	32.91	15.32	13.11	56.10	13.25	12.21	56.16	625	-	-	-	-			
CRN 64-4-2	40	3	36.18	15.32	13.11	59.37	13.25	12.21	59.43	625	-	-	-	-			
CRN 64-4-1	50	3	36.18	16.88	14.12	63.99	13.25	12.21	58.93	678	-	-	-	-			
CRN 64-4	50	3	36.18	16.88	14.12	63.99	13.25	12.21	58.93	678	-	-	-	-			
CRN 64-5-2	60	3	39.41	19.00	14.90	70.20	15.12	13.19	65.54	868	-	-	-	-			

1) Weights are based on pump with TEFC motor (see price list for individual weights)  
All dimensions in inches unless otherwise noted.