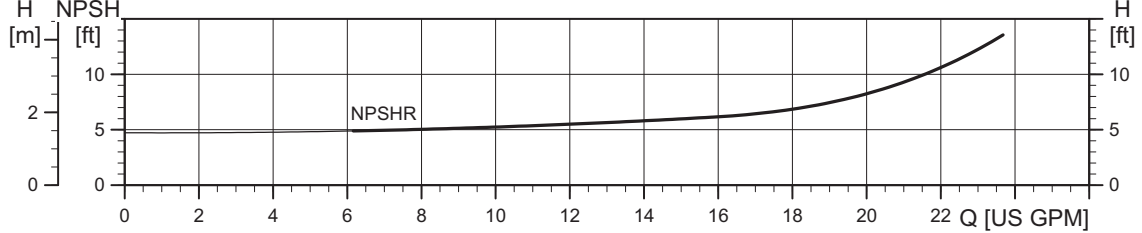
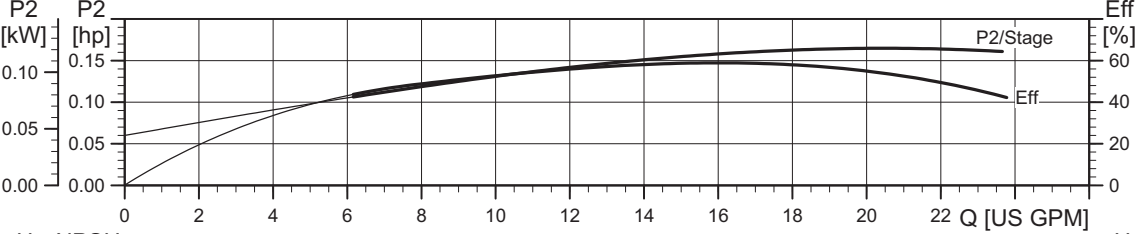
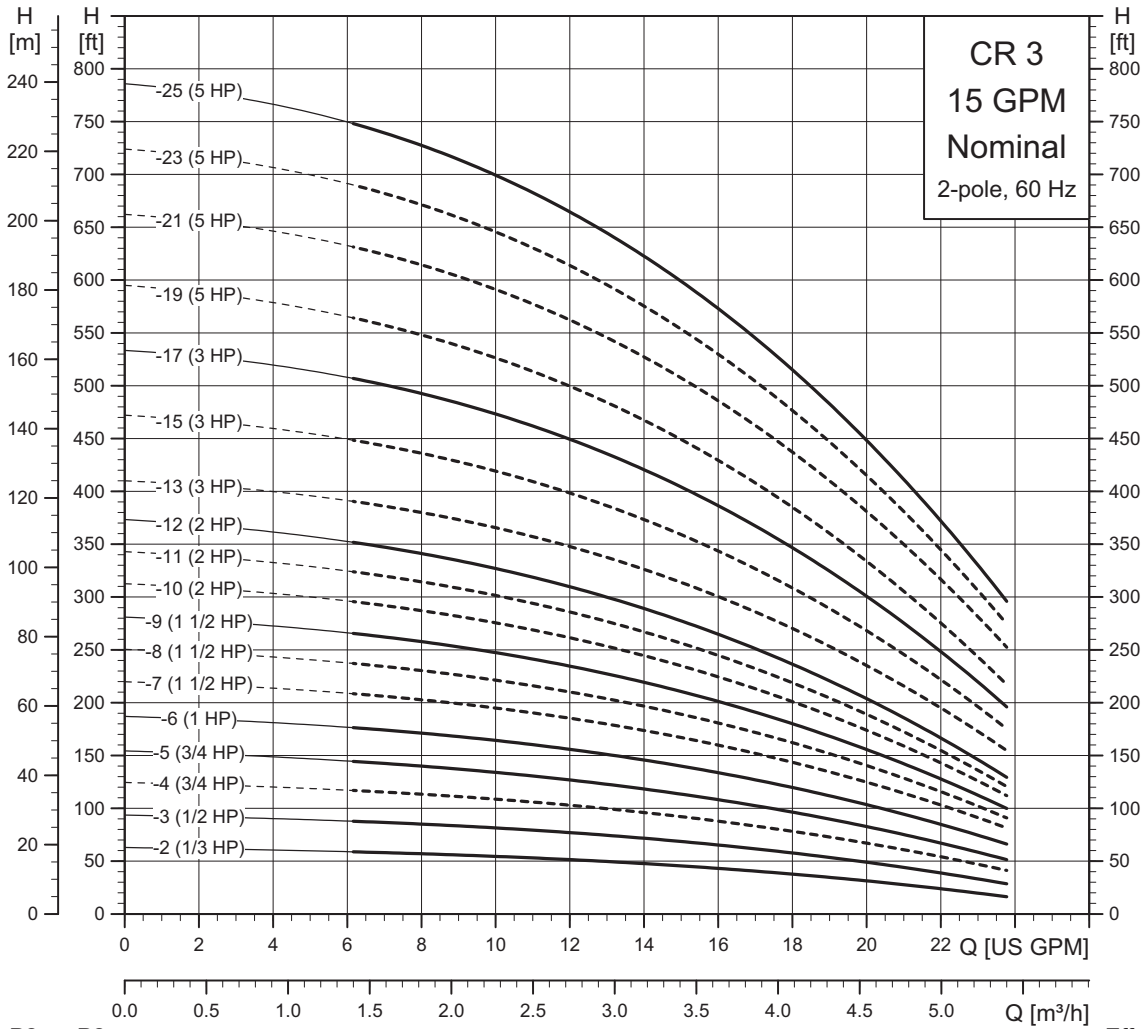


# Performance curves

## CR 3



TM05 1566 3211

Pump curves shown with solid bold line represent standard BoosterpaQ pump offerings. Pump curves shown with dashed line represent non-standard BoosterpaQ pump offerings, which are available upon request.

## Technical data

### Hydro MPC BoosterpaQ with CR(E) 3 pumps

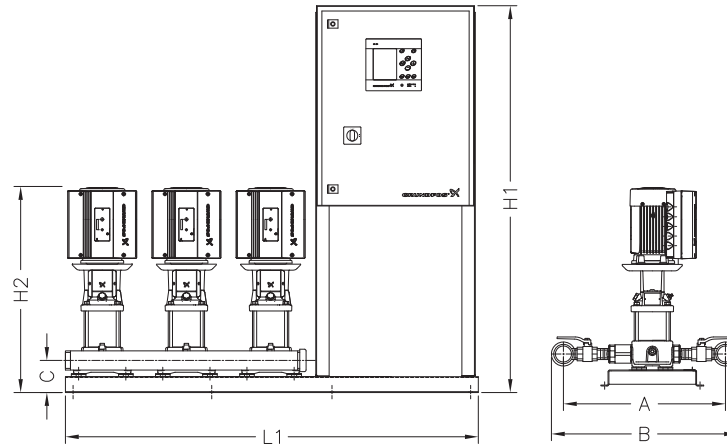


Fig. 35 Drawing of a Hydro MPC booster set with a control panel mounted on the same base plate as the pumps. (Design A)

TM05 5876 4112

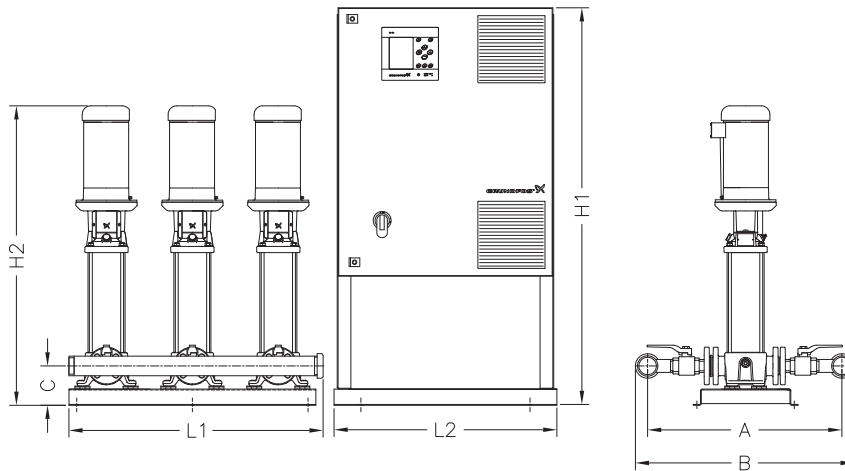


Fig. 36 Drawing of a Hydro MPC booster set with control panel and pumps on separate base plates. (Design B)

TM05 5876 4112

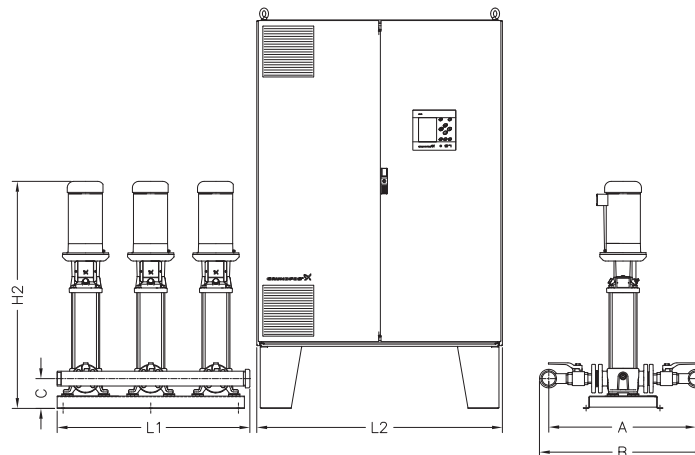


Fig. 37 Drawing of a Hydro MPC booster set with a floor-mounted control panel. (Design C)

TM05 5877 4112

Hydro MPC-E BoosterpaQ with CRE 3 pumps

No. of pumps	Pump type	Motor [hp]	Connect. size [in.]	A [in]	B [in]	C [in]	H1 [in]	H2 [in]	L1 [in]	L2 [in]	Panel dim. HxWxD [in]	Wt. w/out panel [lb]	Wt. w/panel [lb]	Design
2	CRE 3-6	1	2" NPT	22.4	24.8	4.8	57.9	29.7	49.2	N/A	30x24x9	270	366	A
	CRE 3-9	1.5					57.9	31.8	49.2	N/A	30x24x9	276	372	A
	CRE 3-12	2					57.9	33.9	49.2	N/A	30x24x9	280	376	A
	CRE 3-15	3					57.9	37.6	49.2	N/A	30x24x9	316	412	A
3	CRE 3-6	1	2" NPT	22.4	24.8	4.8	57.9	29.7	61.8	N/A	30x24x9	401	509	A
	CRE 3-9	1.5					57.9	31.8	61.8	N/A	30x24x9	410	518	A
	CRE 3-12	2					57.9	33.9	61.8	N/A	30x24x9	416	524	A
	CRE 3-15	3					57.9	37.6	61.8	N/A	30x24x9	470	578	A
4	CRE 3-6	1	2 1/2" NPT	24.6	27.5	4.8	57.9	29.7	74.4	N/A	30x24x9	523	644	A
	CRE 3-9	1.5					57.9	31.8	74.4	N/A	30x24x9	535	656	A
	CRE 3-12	2					57.9	33.9	74.4	N/A	30x24x9	543	664	A
	CRE 3-15	3					57.9	37.6	74.4	N/A	30x24x9	615	736	A
5	CRE 3-6	1	2 1/2" NPT	24.6	27.5	4.8	57.9	29.7	61.4	24.8	30x24x9	701	834	B
	CRE 3-9	1.5					57.9	31.8	61.4	24.8	30x24x9	716	849	B
	CRE 3-12	2					57.9	33.9	61.4	24.8	30x24x9	726	859	B
	CRE 3-15	3					57.9	37.6	61.4	24.8	30x24x9	816	949	B
6	CRE 3-6	1	2 1/2" NPT	24.6	27.5	4.8	57.9	29.7	74.0	32.7	40x32x12	836	1036	B
	CRE 3-9	1.5					57.9	31.8	74.0	32.7	40x32x12	854	1054	B
	CRE 3-12	2					57.9	33.9	74.0	32.7	40x32x12	866	1066	B
	CRE 3-15	3					57.9	37.6	74.0	32.7	40x32x12	974	1174	B

Hydro MPC-E(CUE) BoosterpaQ with CR 3 pumps

No. of pumps	Pump type	Motor [hp]	Connect. size [in.]	A [in]	B [in]	C [in]	H1 [in]	H2 [in]	L1 [in]	L2 [in]	Panel dim. HxWxD [in]	Wt. w/out panel [lb]	Wt. w/panel [lb]	Design
2	CR 3-6	1	2" NPT	22.4	24.8	4.8	60.0	24.3	26.6	36.0	48x36x16	194	432	C
	CR 3-9	1.5					60.0	27.6	26.6	36.0	48x36x16	208	446	C
	CR 3-12	2					60.0	32.3	26.6	36.0	48x36x16	254	499	C
	CR 3-15	3					60.0	37.6	26.6	36.0	48x36x16	270	516	C
3	CR 3-6	1	2" NPT	22.4	24.8	4.8	60.0	24.3	36.2	36.0	48x36x16	287	542	C
	CR 3-9	1.5					60.0	27.6	36.2	36.0	48x36x16	308	563	C
	CR 3-12	2					75.0	32.3	36.2	48.0	63x48x20	377	805	C
	CR 3-15	3					75.0	37.6	36.2	48.0	63x48x20	401	829	C
4	CR 3-6	1	2 1/2" NPT	24.6	27.5	4.8	60.0	24.3	48.8	36.0	48x36x16	371	643	C
	CR 3-9	1.5					60.0	27.6	48.8	36.0	48x36x16	399	671	C
	CR 3-12	2					75.0	32.3	48.8	48.0	63x48x20	491	939	C
	CR 3-15	3					75.0	37.6	48.8	48.0	63x48x20	523	971	C
5	CR 3-6	1	2 1/2" NPT	24.6	27.5	4.8	75.0	24.3	61.4	63.0	63x63x20	511	1091	C
	CR 3-9	1.5					75.0	27.6	61.4	63.0	63x63x20	546	1126	C
	CR 3-12	2					75.0	32.3	61.4	63.0	63x63x20	661	1259	C
	CR 3-15	3					75.0	37.6	61.4	63.0	63x63x20	701	1299	C
6	CR 3-6	1	2 1/2" NPT	24.6	27.5	4.8	83.0	24.3	74.0	71.0	71x71x20	608	1285	C
	CR 3-9	1.5					83.0	27.6	74.0	71.0	71x71x20	650	1327	C
	CR 3-12	2					83.0	32.3	74.0	71.0	71x71x20	788	1486	C
	CR 3-15	3					83.0	37.6	74.0	71.0	71x71x20	836	1534	C

Design A: Hydro MPC booster set with a control panel mounted on the same base plate as the pumps.

Design B: Hydro MPC booster set with a control panel and pumps mounted on separate base plates.

Design C: Hydro MPC booster set with a floor mounted control panel.

Note: All control panel dimensions based on 460/3/60 power. Dimensions may vary ± 1 in. and vary due to options requested and component changes. Please contact Grundfos for a Certified drawing for construction purposes.

Hydro MPC-F BoosterpaQ with CR 3 pumps

No. of pumps	Pump type	Motor [hp]	Connect. size [in.]	A [in]	B [in]	C [in]	H1 [in]	H2 [in]	L1 [in]	L2 [in]	Panel dim. HxWxD [in]	Wt. w/out panel [lb]	Wt. w/panel [lb]	Design
2	CR 3-6	1	2" NPT	22.4	24.8	4.8	57.9	24.3	26.6	32.7	40x32x12	194	353	B
	CR 3-9	1.5					57.9	27.6	26.6	32.7	40x32x12	208	367	B
	CR 3-12	2					57.9	32.3	26.6	32.7	40x32x12	254	416	B
	CR 3-15	3					57.9	37.6	26.6	32.7	40x32x12	270	432	B
3	CR 3-6	1	2" NPT	22.4	24.8	4.8	57.9	24.3	36.2	32.7	40x32x12	287	459	B
	CR 3-9	1.5					57.9	27.6	36.2	32.7	40x32x12	308	480	B
	CR 3-12	2					57.9	32.3	36.2	32.7	40x32x12	377	553	B
	CR 3-15	3					57.9	37.6	36.2	32.7	40x32x12	401	577	B
4	CR 3-6	1	2 1/2" NPT	24.6	27.5	4.8	57.9	24.3	48.8	32.7	40x32x12	371	557	B
	CR 3-9	1.5					57.9	27.6	48.8	32.7	40x32x12	399	585	B
	CR 3-12	2					57.9	32.3	48.8	32.7	40x32x12	491	680	B
	CR 3-15	3					57.9	37.6	48.8	32.7	40x32x12	523	713	B
5	CR 3-6	1	2 1/2" NPT	24.6	27.5	4.8	57.9	24.3	61.4	32.7	47x32x12	511	739	B
	CR 3-9	1.5					57.9	27.6	61.4	32.7	47x32x12	546	774	B
	CR 3-12	2					57.9	32.3	61.4	32.7	47x32x12	661	892	B
	CR 3-15	3					57.9	37.6	61.4	32.7	47x32x12	701	932	B
6	CR 3-6	1	2 1/2" NPT	24.6	27.5	4.8	57.9	24.3	74.0	32.7	47x32x12	608	849	B
	CR 3-9	1.5					57.9	27.6	74.0	32.7	47x32x12	650	891	B
	CR 3-12	2					57.9	32.3	74.0	32.7	47x32x12	788	1033	B
	CR 3-15	3					57.9	37.6	74.0	32.7	47x32x12	836	1081	B

Hydro MPC-S BoosterpaQ with CR 3 pumps

No. of pumps	Pump type	Motor [hp]	Connect. size [in.]	A [in]	B [in]	C [in]	H1 [in]	H2 [in]	L1 [in]	L2 [in]	Panel dim. HxWxD [in]	Wt. w/out panel [lb]	Wt. w/panel [lb]	Design
2	CR 3-6	1	2" NPT	22.4	24.8	4.8	57.9	24.3	49.2	N/A	24x24x8	194	271	A
	CR 3-9	1.5					57.9	27.6	49.2	N/A	24x24x8	208	285	A
	CR 3-12	2					57.9	32.3	49.2	N/A	24x24x8	254	331	A
	CR 3-15	3					57.9	37.6	49.2	N/A	24x24x8	270	347	A
3	CR 3-6	1	2" NPT	22.4	24.8	4.8	57.9	24.3	61.8	N/A	24x24x8	287	376	A
	CR 3-9	1.5					57.9	27.6	61.8	N/A	24x24x8	308	397	A
	CR 3-12	2					57.9	32.3	61.8	N/A	24x24x8	377	466	A
	CR 3-15	3					57.9	37.6	61.8	N/A	24x24x8	401	490	A
4	CR 3-6	1	2 1/2" NPT	24.6	27.5	4.8	57.9	24.3	74.4	N/A	40x32x12	371	549	A
	CR 3-9	1.5					57.9	27.6	74.4	N/A	40x32x12	399	577	A
	CR 3-12	2					57.9	32.3	74.4	N/A	40x32x12	491	669	A
	CR 3-15	3					57.9	37.6	74.4	N/A	40x32x12	523	701	A
5	CR 3-6	1	2 1/2" NPT	24.6	27.5	4.8	57.9	24.3	61.4	32.7	47x32x12	511	730	B
	CR 3-9	1.5					57.9	27.6	61.4	32.7	47x32x12	546	765	B
	CR 3-12	2					57.9	32.3	61.4	32.7	47x32x12	661	880	B
	CR 3-15	3					57.9	37.6	61.4	32.7	47x32x12	701	920	B
6	CR 3-6	1	2 1/2" NPT	24.6	27.5	4.8	57.9	24.3	74.0	32.7	47x32x12	608	840	B
	CR 3-9	1.5					57.9	27.6	74.0	32.7	47x32x12	650	882	B
	CR 3-12	2					57.9	32.3	74.0	32.7	47x32x12	788	1020	B
	CR 3-15	3					57.9	37.6	74.0	32.7	47x32x12	836	1068	B

Design A: Hydro MPC booster set with a control panel mounted on the same base plate as the pumps.

Design B: Hydro MPC booster set with a control panel and pumps mounted on separate base plates.

Design C: Hydro MPC booster set with a floor mounted control panel.

Note: All control panel dimensions based on 460/3/60 power. Dimensions may vary ± 1 in. and vary due to options requested and component changes. Please contact Grundfos for a Certified drawing for construction purposes.