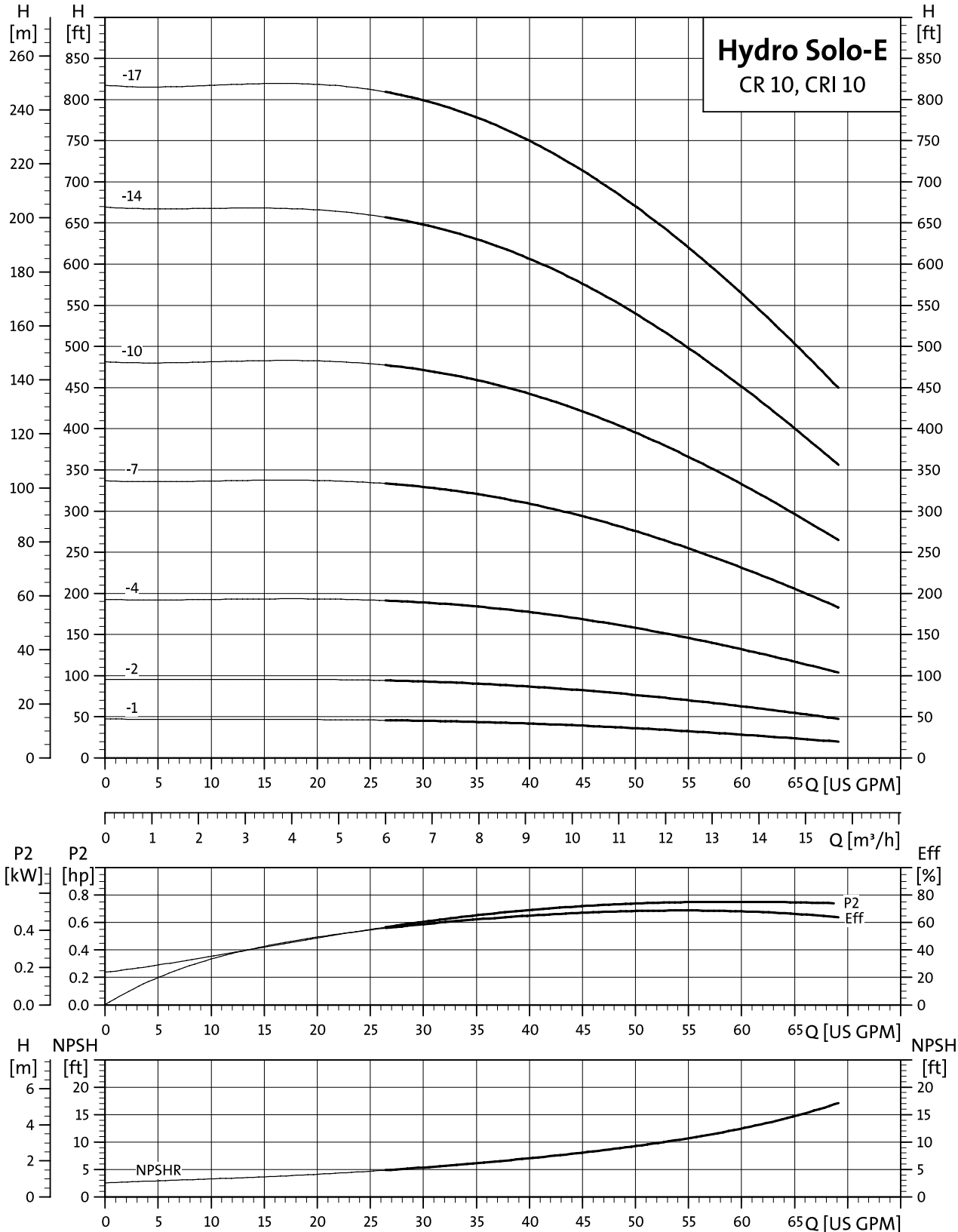
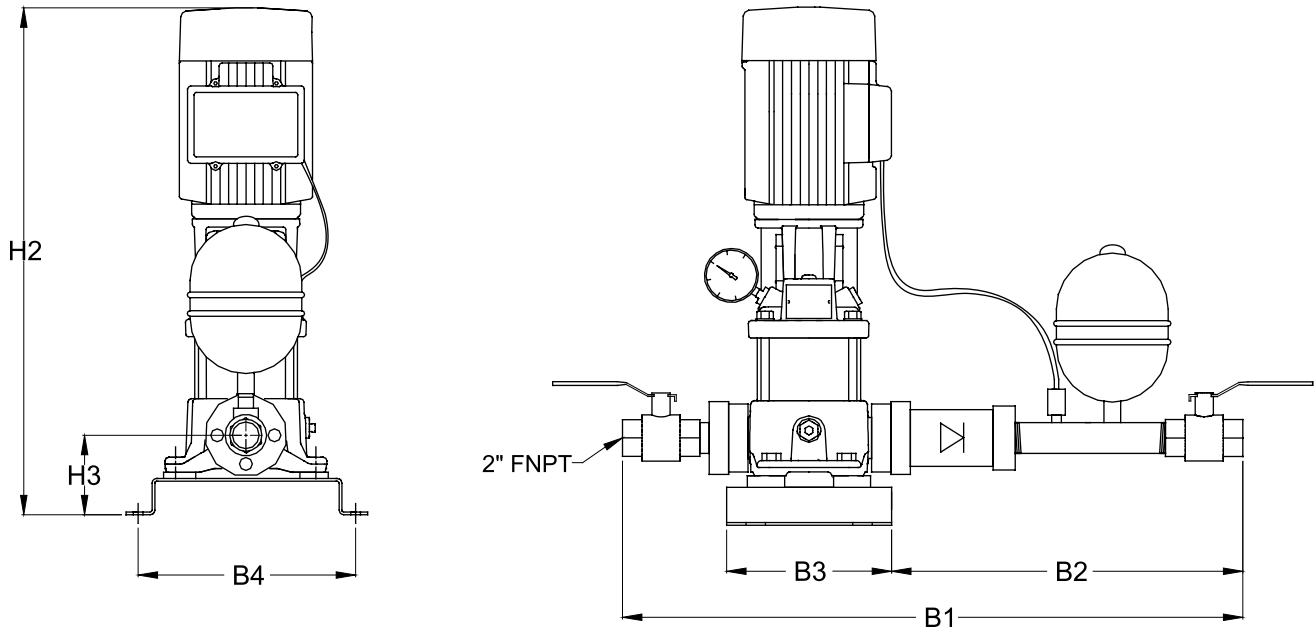


Technical data

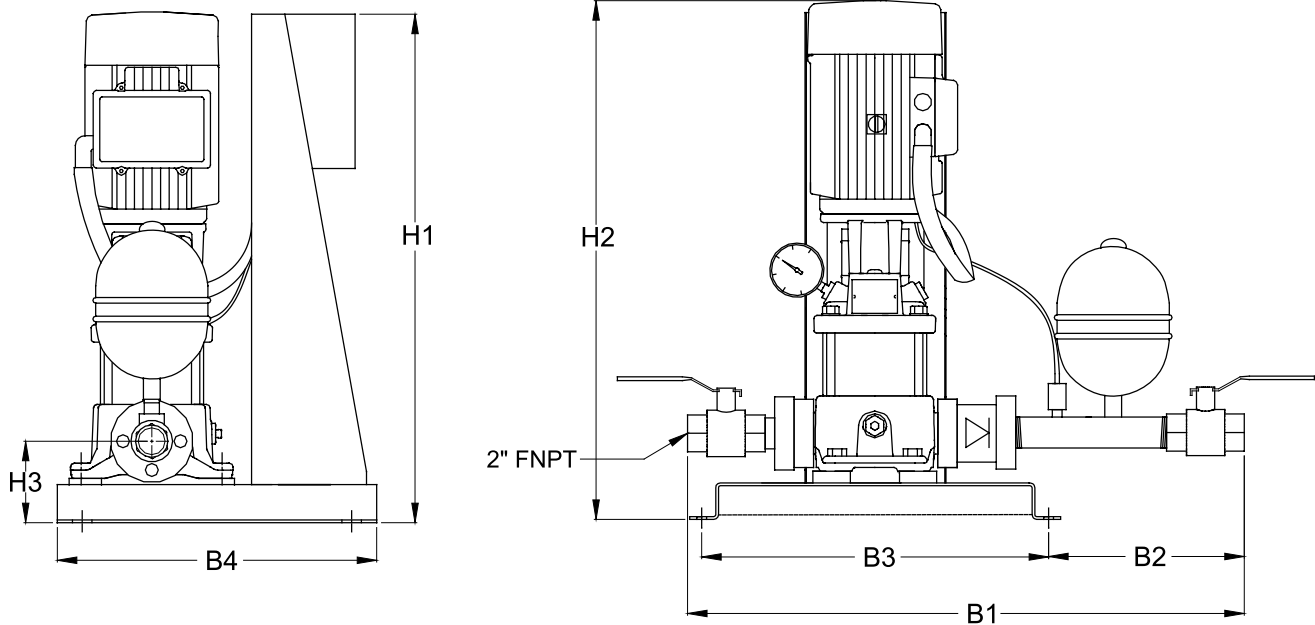
Hydro Solo-E / CR (I) 10

CR (I) 10





Hydro Solo-E CR(I)10- 1 x 230V, 2-10 Hp 3 x 460V with Grundfos MLE motor



Hydro Solo-E CR(I)10, CR(I)15, CR(I)20 -3 x 208-230V, 15-30Hp 3 x 460V, 3 x 575 V with Variable Frequency Drive (VFD)

* Drawings not to scale

MODELS	HP	Supply Voltage				System connection	Dimensions (mm)							Weight (lbs)	Shipping Volume (ft ³)
		1 x 230V	3 x 208-230V	3 x 460V	3 x 575V		B1	B2	B3	B4	H1	H2	H3		

CR 10

CR 10-1	1	•				2" FNPT	875.1	514.2	203.2	304.8	-	622.3	161.6	191.5	23.5
CR 10-2	1 1/2	•				2" FNPT	875.1	514.2	203.2	304.8	-	622.3	161.6	210.5	23.5
CR 10-4	3		•		•	2" FNPT	875.1	363.4	570.3	509.0	1140.0	831.3	161.6	333.0	49.0
				•		2" FNPT	875.1	514.2	203.2	304.8		882.3	161.6	314.0	30.1
CR 10-7	5		•		•	2" FNPT	875.1	363.4	570.3	509.0	1140.0	945.6	161.6	340.0	49.0
				•		2" FNPT	875.1	514.2	203.2	304.8		1025.2	161.6	331.0	33.8
CR 10-10	7 1/2		•		•	2" FNPT	875.1	363.4	570.3	509.0	1140.0	1083.0	161.6	399.0	49.0
				•		2" FNPT	875.1	514.2	203.2	304.8		1123.6	161.6	384.0	36.3
CR 10-14	10		•		•	2" FNPT	8875.1	363.4	570.3	509.0	1140.0	1251	161.6	410.0	49.0
				•		2" FNPT	875.1	514.2	203.2	304.8		1368.1	161.6	375.0	42.5
CR 10-17	15		•	•	•	2" FNPT	875.1	363.4	570.3	509.0	1140.0	1503.8	161.6	575.0	49.0