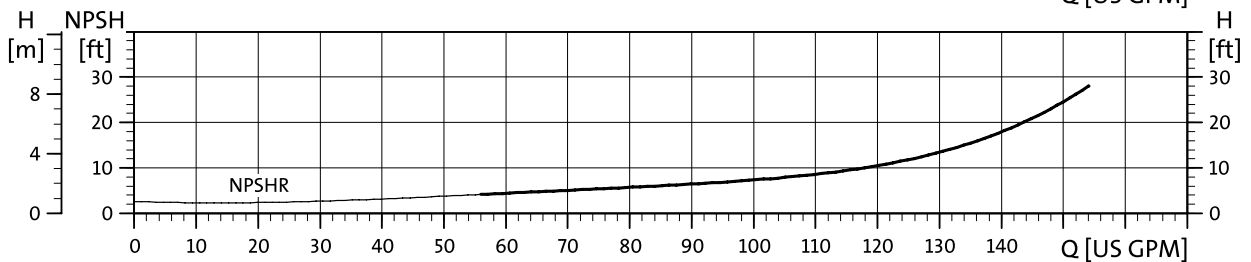
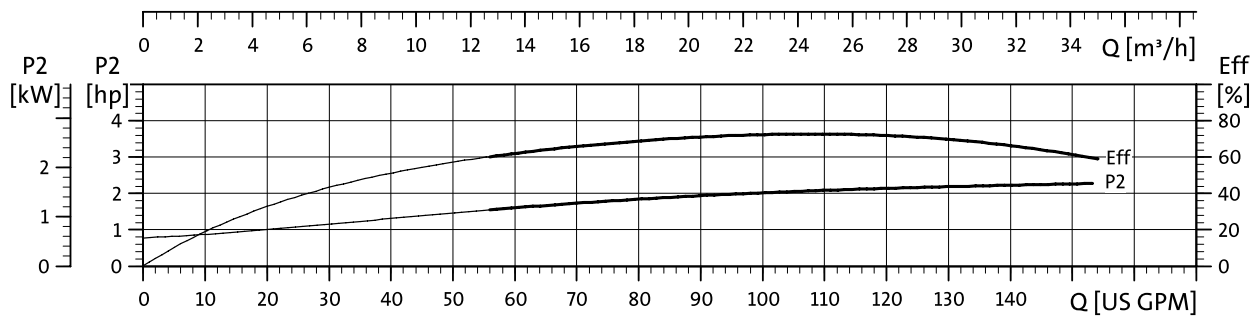
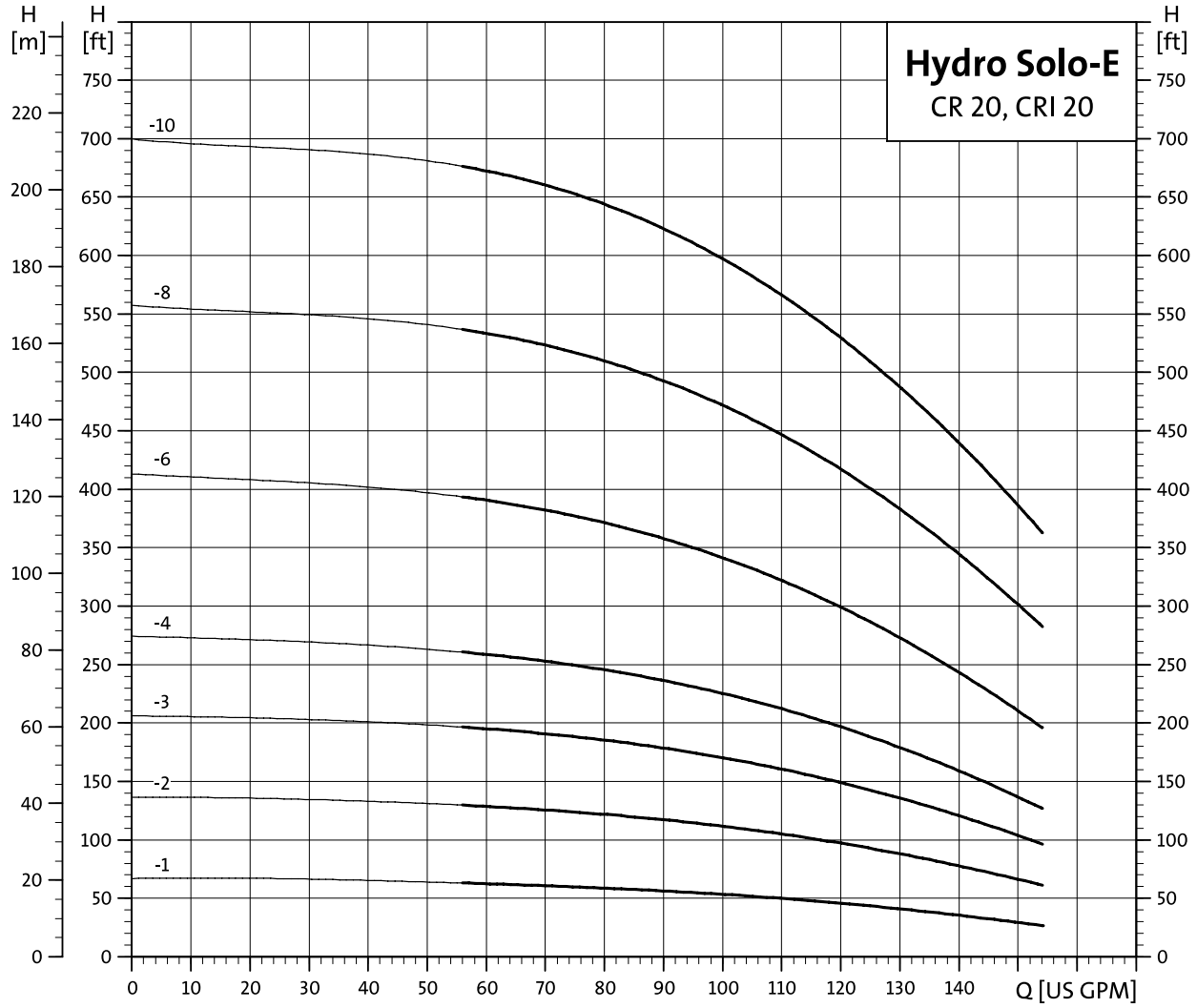
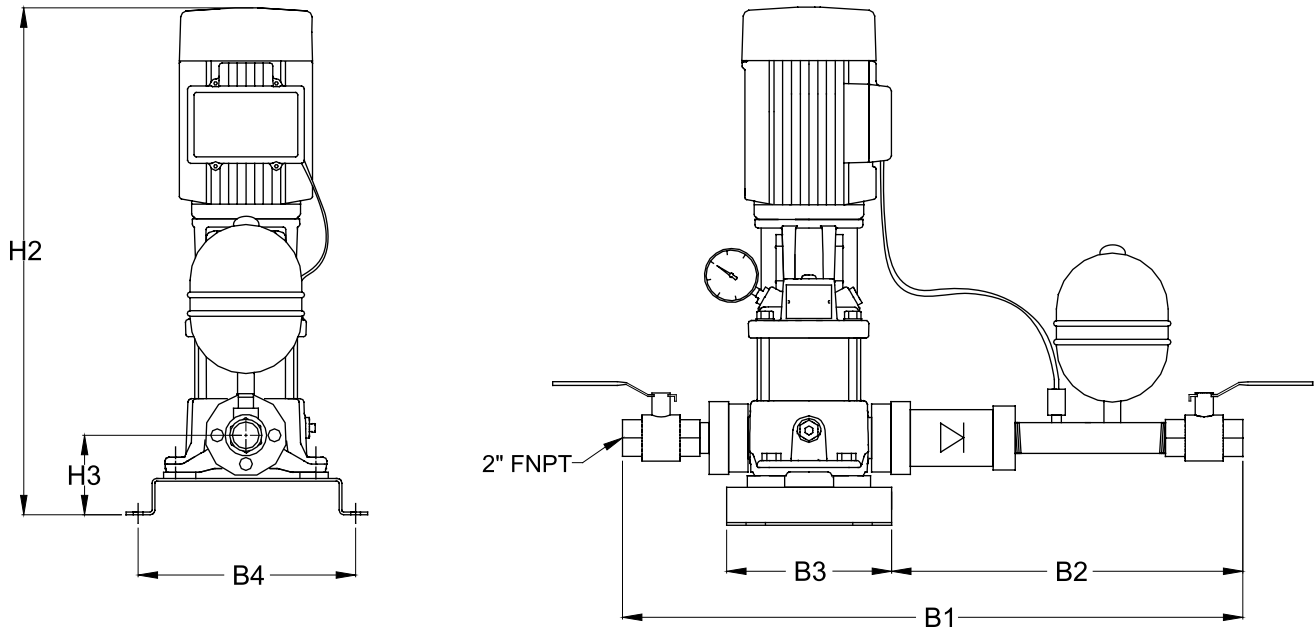


Technical data

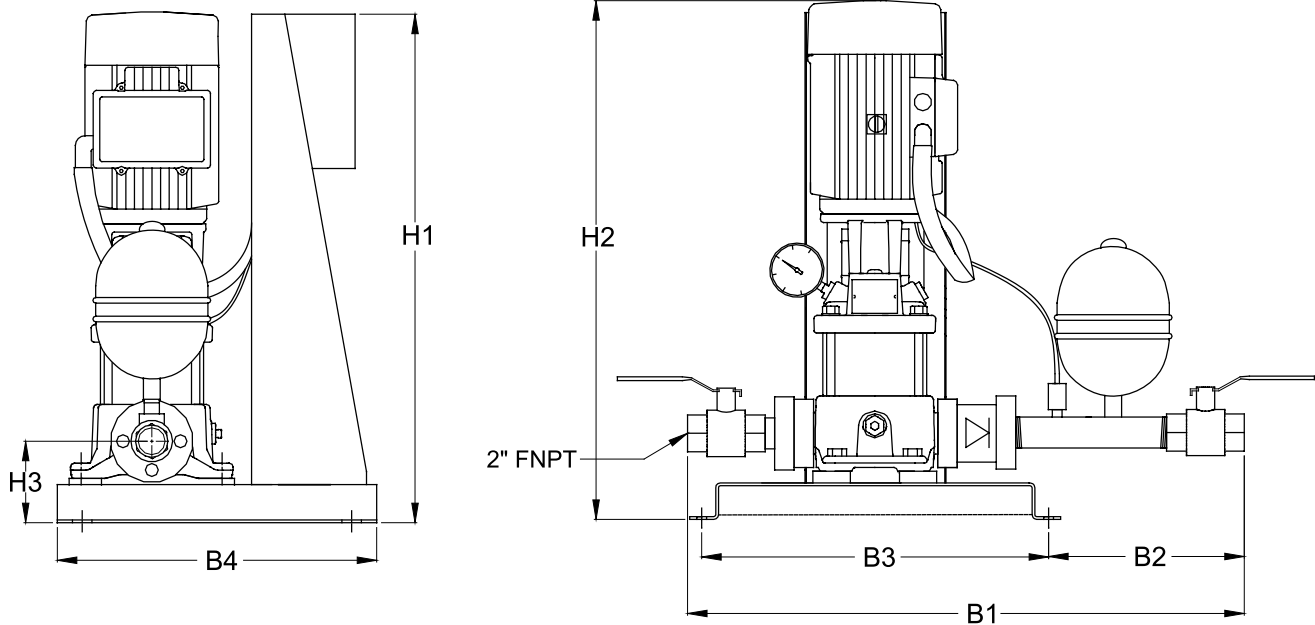
Hydro Solo-E / CR (I) 20

CR (I) 20





Hydro Solo-E CR(I)10- 1 x 230V, 2-10 Hp 3 x 460V with Grundfos MLE motor



Hydro Solo-E CR(I)10, CR(I)15, CR(I)20 -3 x 208-230V, 15-30Hp 3 x 460V, 3 x 575 V with Variable Frequency Drive (VFD)

* Drawings not to scale

MODELS	HP	Supply Voltage				System connection	Dimensions (mm)							Weight (lbs)	Shipping Volume (ft³)
		1 x 230V	3 x 208-230V	3 x 460V	3 x 575V		B1	B2	B3	B4	H1	H2	H3		
CR 10															
CR 10-1	1	•				2" FNPT	875.1	514.2	203.2	304.8	-	622.3	161.6	191.5	23.5
CR 10-2	1 1/2	•				2" FNPT	875.1	514.2	203.2	304.8	-	622.3	161.6	210.5	23.5
CR 10-4	3		•		•	2" FNPT	875.1	363.4	570.3	509.0	1140.0	831.3	161.6	333.0	49.0
				•		2" FNPT	875.1	514.2	203.2	304.8		882.3	161.6	314.0	30.1
CR 10-7	5		•		•	2" FNPT	875.1	363.4	570.3	509.0	1140.0	945.6	161.6	340.0	49.0
				•		2" FNPT	875.1	514.2	203.2	304.8		1025.2	161.6	331.0	33.8
CR 10-10	7 1/2		•		•	2" FNPT	875.1	363.4	570.3	509.0	1140.0	1083.0	161.6	399.0	49.0
				•		2" FNPT	875.1	514.2	203.2	304.8		1123.6	161.6	384.0	36.3
CR 10-14	10		•		•	2" FNPT	8875.1	363.4	570.3	509.0	1140.0	1251	161.6	410.0	49.0
				•		2" FNPT	875.1	514.2	203.2	304.8		1368.1	161.6	375.0	42.5
CR 10-17	15		•	•	•	2" FNPT	875.1	363.4	570.3	509.0	1140.0	1503.8	161.6	575.0	49.0
CR 15															
CR 15-1	2		•		•	2" FNPT	875.1	363.4	570.3	509.0	1140.0	748.6	161.6	266.0	49.0
				•		2" FNPT	875.1	514.2	203.2	304.8		783.9	161.6	252.0	27.6
CR 15-3	5		•		•	2" FNPT	875.1	363.4	570.3	509.0	1140.0	869.4	161.6	343.0	49.0
				•		2" FNPT	875.1	514.2	203.2	304.8		949.0	161.6	335.0	31.8
CR 15-4	7-1/2		•		•	2" FNPT	875.1	363.4	570.3	509.0	1140.0	962.4	161.6	403.0	49.0
				•		2" FNPT	875.1	514.2	203.2	304.8		1002.9	161.6	386.0	33.2
CR 15-6	10		•		•	2" FNPT	875.1	363.4	570.3	509.0	1140.0	1098.6	161.6	407.0	49.0
				•		2" FNPT	875.1	514.2	203.2	304.8		1091.8	161.6	368.0	35.5
CR 15-8	15		•	•	•	2" FNPT	875.1	363.4	570.3	509.0	1140.0	1322.9	161.6	570.0	49.0
CR 15-10	20		•	•	•	2" FNPT	875.1	363.4	570.3	509.0	1140.0	1455.8	161.6	709.0	49.0
CR 15-12	25		•	•	•	2" FNPT	875.1	363.4	570.3	509.0	1140.0	1553.9	161.6	715.0	49.0
CR 20															
CR 20-1	3		•		•	2" FNPT	875.1	363.4	570.3	509.0	1140.0	799.5	161.6	329.0	49.0
				•		2" FNPT	875.1	514.2	203.2	304.8		850.5	161.6	305.0	29.3
CR 20-2	5		•		•	2" FNPT	875.1	363.4	570.3	509.0	1140.0	824.9	161.6	341.0	49.0
				•		2" FNPT	875.1	514.2	203.2	304.8		904.5	161.6	335.0	30.7
CR 20-3	7-1/2		•		•	2" FNPT	875.1	363.4	570.3	509.0	1140.0	917.9	161.6	396.0	49.0
				•		2" FNPT	875.1	514.2	203.2	304.8		958.5	161.6	384.0	32.1
CR 20-4	10		•		•	2" FNPT	875.1	363.4	570.3	509.0	1140.0	1009.7	161.6	400.0	49.0
				•		2" FNPT	875.1	514.2	203.2	304.8		1002.9	161.6	361.0	33.2
CR 20-6	15		•	•	•	2" FNPT	875.1	363.4	570.3	509.0	1140.0	1234	161.6	561.0	49.0
CR 20-8	20		•	•	•	2" FNPT	875.1	363.4	570.3	509.0	1140.0	1366.9	161.6	702.0	49.0
CR 20-10	25		•	•	•	2" FNPT	875.1	363.4	570.3	509.0	1140.0	1461.9	161.6	706.0	49.0