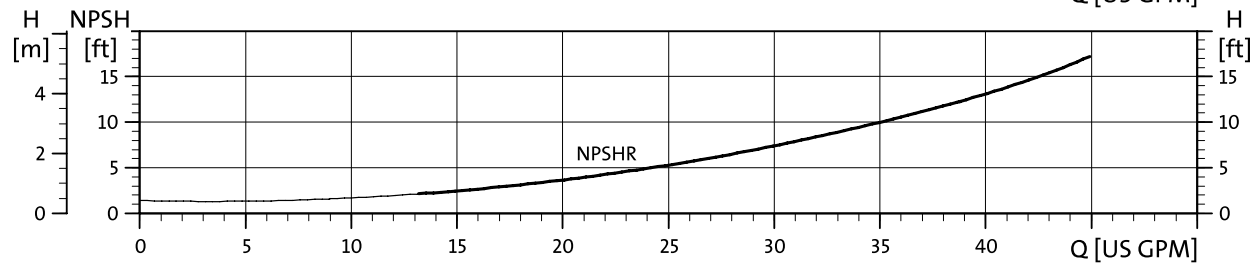
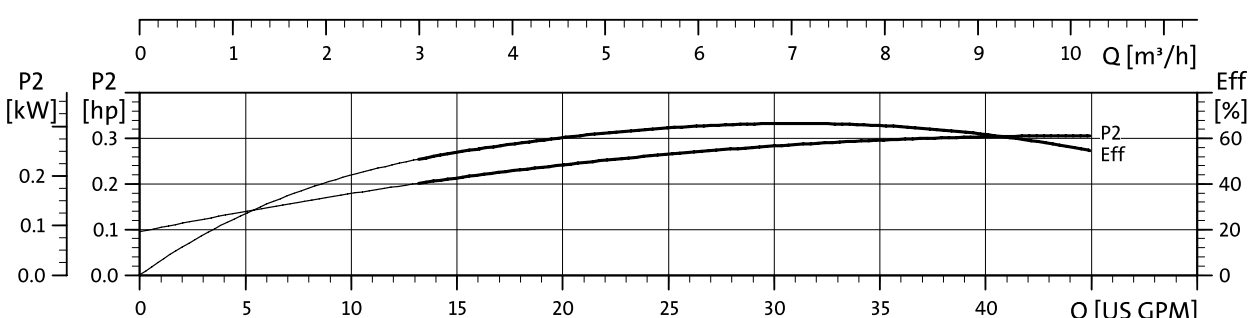
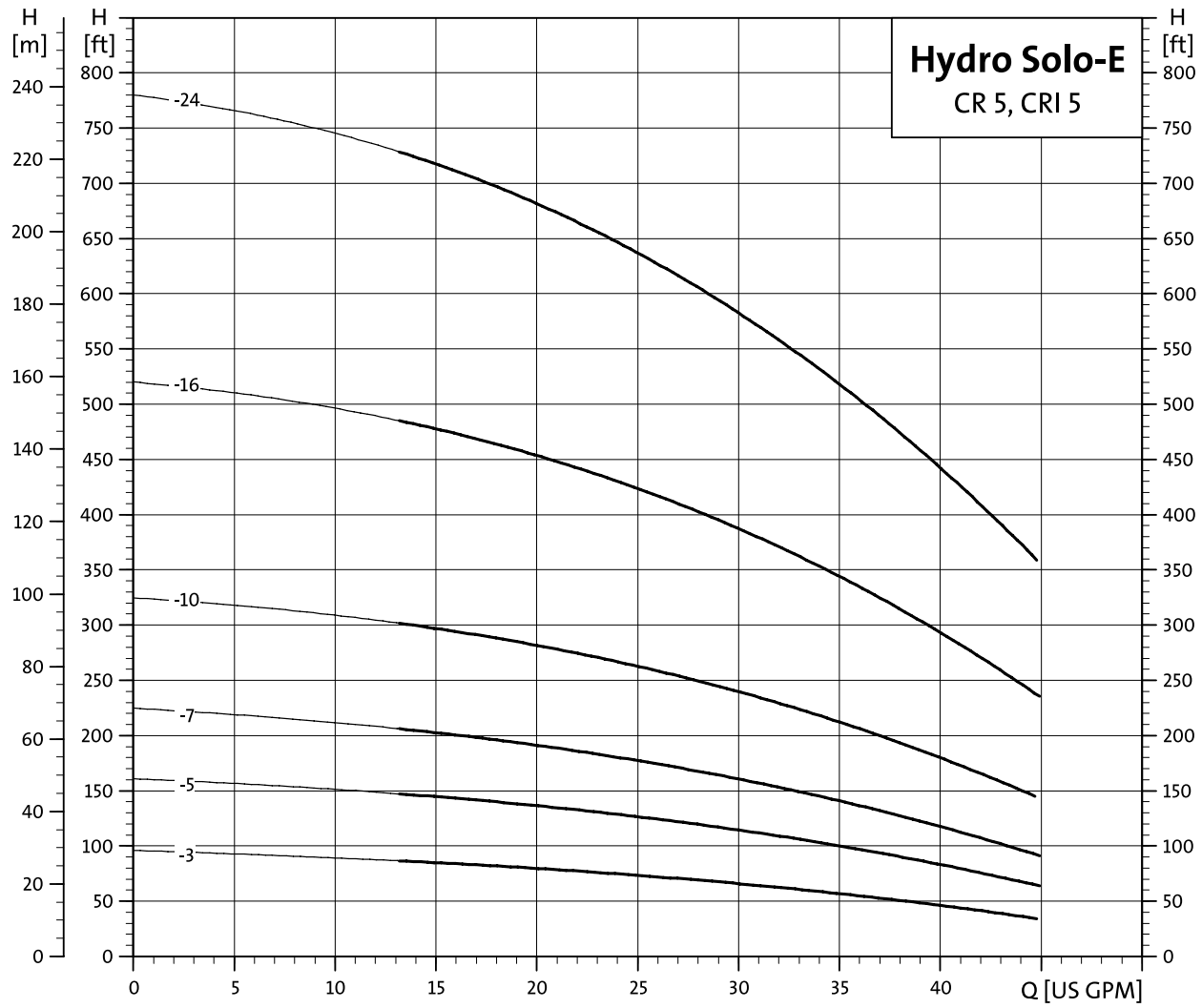
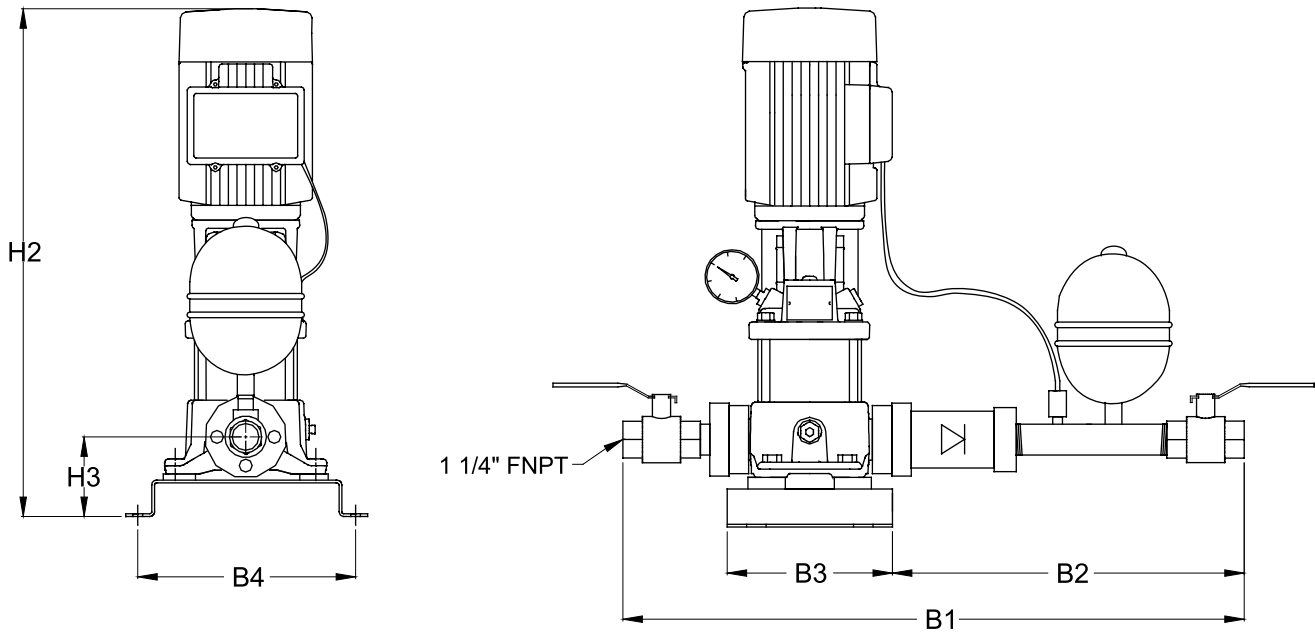


Technical data

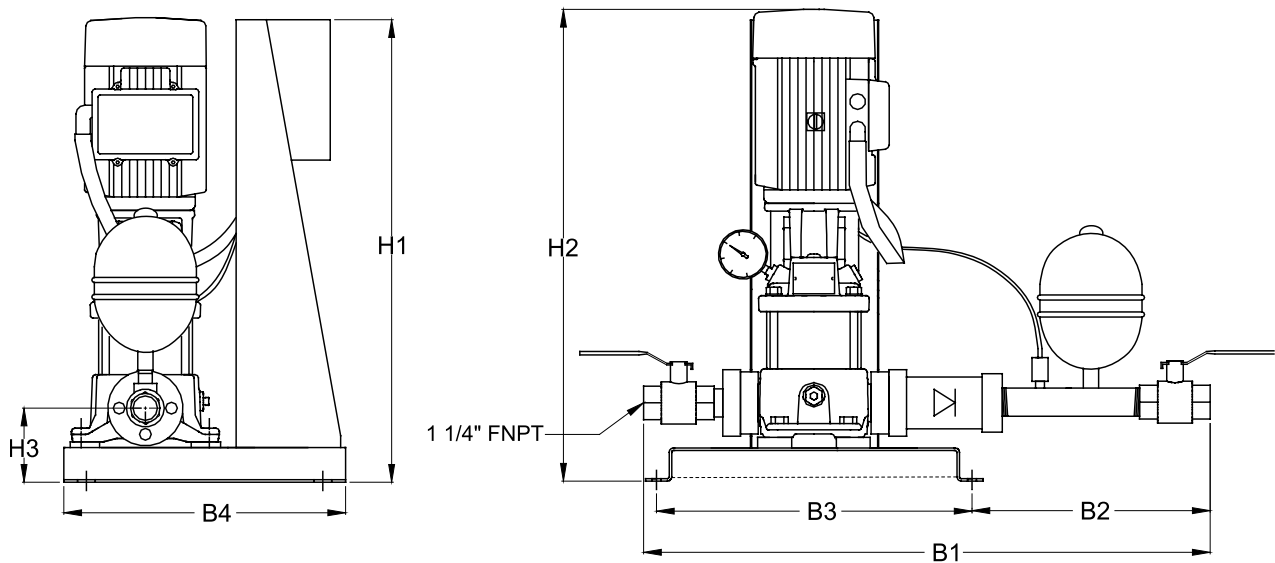
Hydro Solo-E / CR (I) 5

CR (I) 5





Hydro Solo-E CR(I)1, CR(I)3,CR(I)5 - 1 x 230V, 3 x 460V with Grundfos MLE motors



Hydro Solo-E CR(I)1, CR(I)3,CR(I)5- 3 x 208-230V, 3 X 575V with Variable Frequency Drive (VFD)

* Drawings not to scale

MODELS	HP	Supply Voltage				System connection	Dimensions (mm)							Weight (lbs)	Shipping Volume (ft ³)
		1 x 230V	3 x 208-230V	3 x 460V	3 x 575V		B1	B2	B3	B4	H1	H2	H3		
CR 5															
CR 5-3	1	•				1 1/4" FNPT	858.7	501.7	203.2	304.8	-	637.8	148.9	116.6	23.5
CR 5-5	1-1/2	•				1 1/4" FNPT	858.7	501.7	203.2	304.8	-	691.8	148.9	125.6	24.8
CR 5-7	2	•		•		1 1/4" FNPT	858.7	350.9	570.3	509.0	1140.0	783.4	148.9	192.1	48.1
				•		1 1/4" FNPT	858.7	501.7	203.2	304.8	-	806.1	148.9	173.1	27.7
CR 5-10	3	•		•		1 1/4" FNPT	858.7	350.9	570.3	509.0	1140.0	923.2	148.9	255.1	48.1
				•		1 1/4" FNPT	858.7	501.7	203.2	304.8	-	961.7	148.9	222.1	31.6
CR 5-16	5	•		•		1 1/4" FNPT	858.7	350.9	570.3	509.0	1140.0	1110.5	148.9	270.1	48.1
				•		1 1/4" FNPT	858.7	501.7	203.2	304.8	-	1177.6	148.9	255.1	37.0
CR 5-24	7-1/2	•		•		1 1/4" FNPT	858.7	350.9	570.3	509.0	1140.0	1374.9	148.9	332.1	48.1
				•		1 1/4" FNPT	858.7	501.7	203.2	304.8	-	1403.0	148.9	292.1	42.6