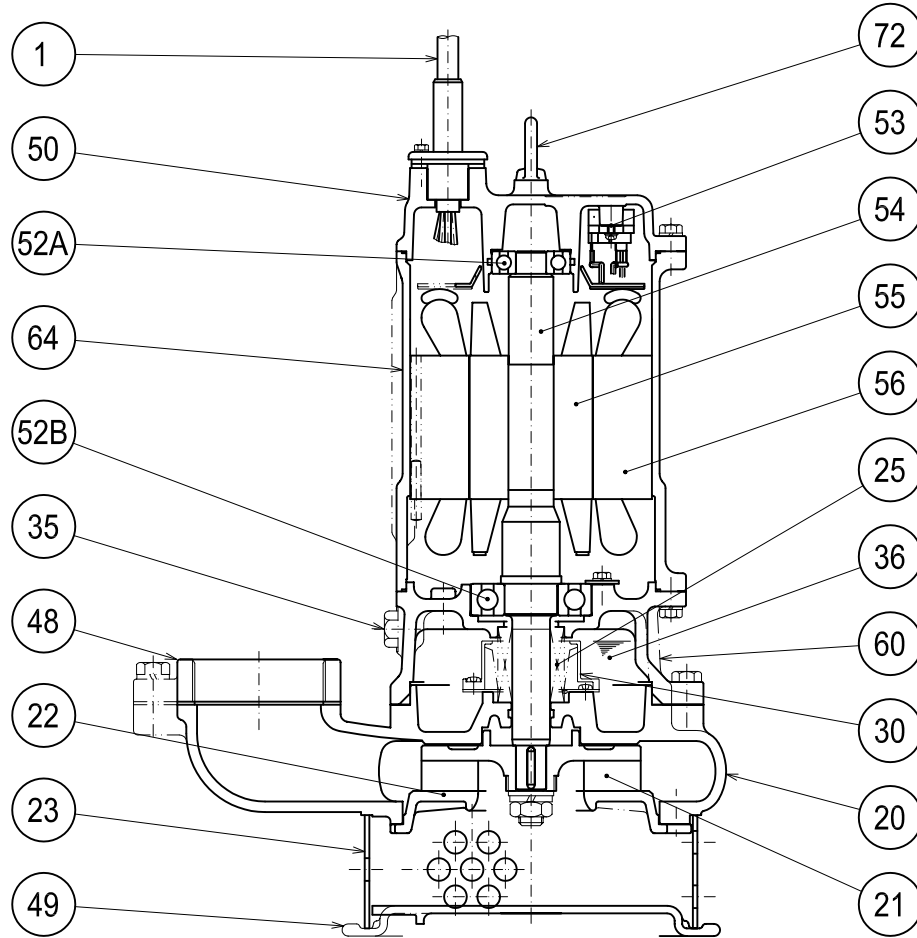


**TSURUMI PUMP**
**SFQ-SERIES**  
**ALL316SS - DEWATERING PUMPS**
**SECTIONAL VIEW****80SFQ23.7 -63**

PART#	DESCRIPTION	MAIN MATERIAL / NOTE	RELATED ASTM,AISI CODE	RELATED EN CODE	QTY
1	Power Cable	PVC Sheath AWG 12/4-32ft			1
20	Pump Casing	Stainless Steel Casting	A743 CF-8M	GX5CrNiMo19-11-2	1
21	Impeller	Stainless Steel Casting	A743 CF-8M	GX5CrNiMo19-11-2	1
22	Suction Cover	Stainless Steel Casting	A743 CF-8M	GX5CrNiMo19-11-2	1
23	Suction Strainer	Stainless Steel	S 31600	1.4401	1
25	Mechanical Seal	Silicon Carbide / X-25W			1
30	Oil Lifter	PBT Resin W/GF40			1
35	Oil Plug	Stainless Steel	S 31600	1.4401	1
36	Lubricant	Turbine Oil ISO VG32 or SAE 10W-20			
48	Companion Flange	Stainless Steel Casting / NPT 3"	A743 CF-8M	GX5CrNiMo19-11-2	1
49	Bottom Plate	Stainless Steel Casting	A743 CF-8M	GX5CrNiMo19-11-2	1
50	Motor Bracket	Stainless Steel Casting	A743 CF-8M	GX5CrNiMo19-11-2	1
52A	Upper Bearing	#6304ZZC3			1
52B	Lower Bearing	#6307ZZC3			1
53	Motor Protector				1
54	Shaft	Stainless Steel	S 31600	1.4401	1
55	Rotor				1
56	Stator				1
60	Bearing Housing	Stainless Steel Casting	A743 CF-8M	GX5CrNiMo19-11-2	1
64	Motor Housing	Stainless Steel Casting	A743 CF-8M	GX5CrNiMo19-11-2	1
72	Lifting Lug Bolt	Stainless Steel	S 31600	1.4401	2