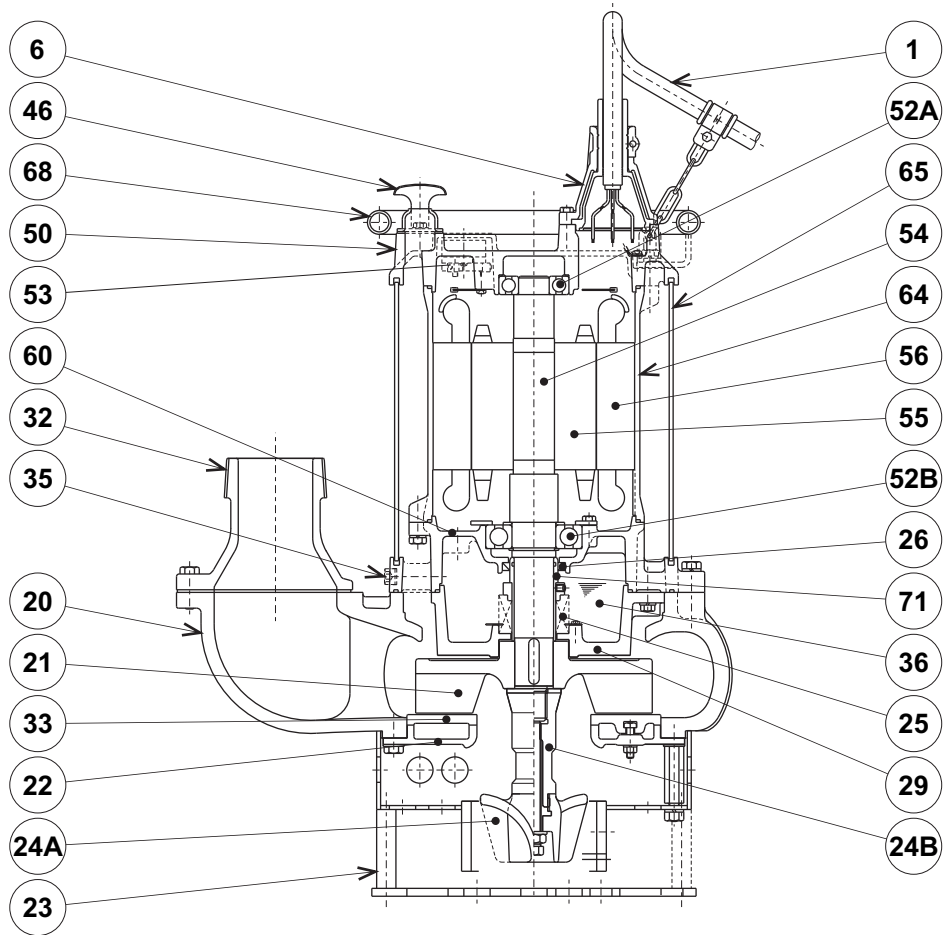




**TSURUMI PUMP**

**GPN - SERIES  
SUBMERSIBLE AGITATOR PUMPS**

**SECTIONAL VIEW**



**GPN411-61  
GPN415-61**

ITEM#	DESCRIPTION	MAIN MATERIAL / NOTE	RELATED ASTM, AISI CODE	RELATED EN CODE	Q'TY
1	Power Cable (GPN411-61)	Chloroprene Sheath AWG8/4-50ft			1
	Power Cable (GPN415-61)	Chloroprene Sheath AWG6/4-50ft			1
6	Stuffing Box	Cast Iron	A48M Class30B	EN 1561 GJL-200	1
20	Pump Casing	Cast Iron	A48M Class30B	EN 1561 GJL-200	1
21	Impeller	High Chrome Cast Iron	A532 Class III Type A	DIN 1695 G-X260Cr27	1
22	Suction Cover	Cast Iron	A48M Class30B	EN 1561 GJL-200	1
23	Strainer Stand	Steel (Cold Rolled) + Steel Pipe	A109/A1008 + A53 Type F	EN 10130 + DIN 1615 St33	1
24A	Agitator	High Chrome Cast Iron	A532 Class III Type A	DIN 1695 G-X260Cr27	1
24B	Clutch	Malleable Cast Iron (Hardened)	A47M Grade 22010	EN 1562 GJMB-350-10	1
25	Mechanical Seal	Silicon Carbide / NH-50			1
26	Oil Seal	Nitrile Butadiene Rubber / TC-55729			1
29	Oil Casing	Cast Iron	A48M Class30B	EN 1561 GJL-200	1
32	Discharge Connection	Cast Iron / NPT 4"	A48M Class30B	EN 1561 GJL-200	1
33	Suction Plate	High Chrome Cast Iron	A532 Class III Type A	DIN 1695 G-X260Cr27	1
35	Oil Plug	Stainless Steel	S 30400	1.4301	1
36	Lubricant	Turbine Oil ISO VG32 or SAE10W/20W			
46	Air Valve	Steel (Cold Rolled)	A109/A1008	EN 10130	1
50	Motor Head Cover	Cast Iron	A48M Class25B	EN 1561 GJL-150	1
52A	Upper Bearing	#6307ZZC3			1
52B	Lower Bearing	#6310ZZC3			1
53	Motor Protector				1
54	Shaft	Chrome-Molybden Alloy H-Steel	AISI 4135H	ISO 683-1 34CrMo4	1
55	Rotor				1
56	Stator				1
60	Bearing Housing	Cast Iron	A48M Class25B	EN 1561 GJL-150	1
64	Motor Housing	Cast Iron	A48M Class25B	EN 1561 GJL-150	1
65	Outer Cover	Steel	A283 Grade D	EN 10025 S275	1
68	Handle	Steel Pipe + Steel	A53 Type F + A283 Grade D	DIN 1615 St33 + EN 10025 S275	1
71	Shaft Sleeve	Stainless Steel	S 30400	1.4301	1