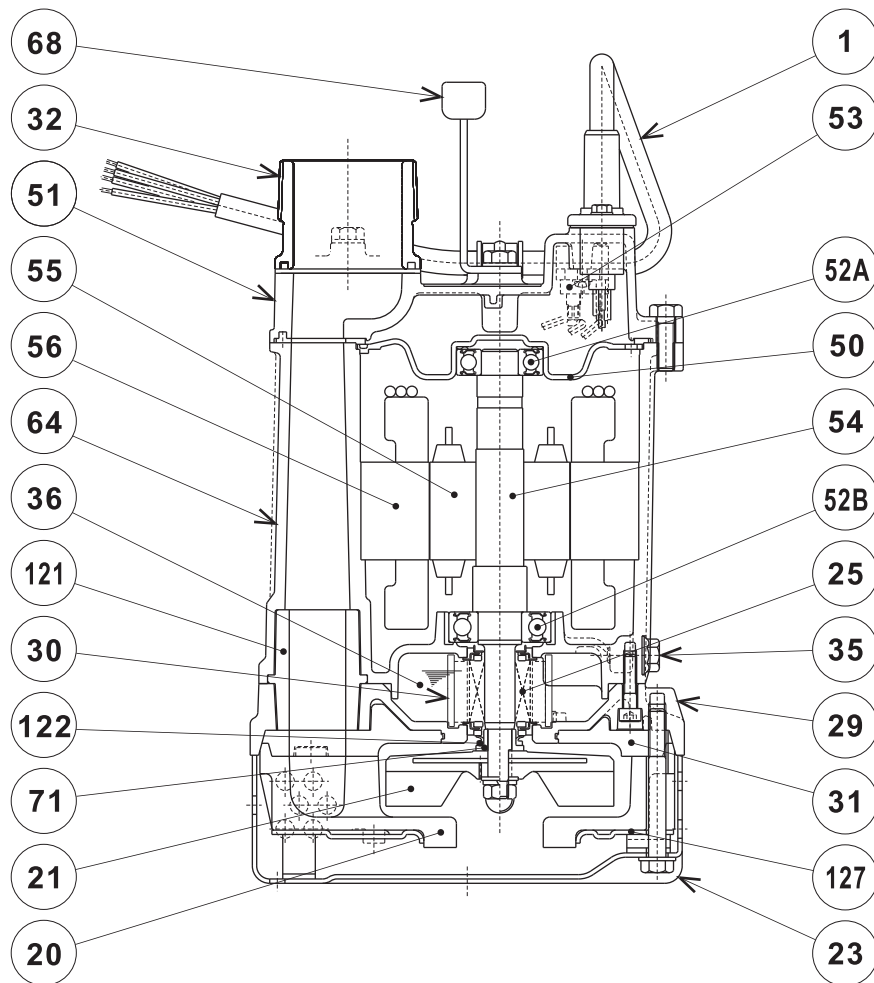


**TSURUMI PUMP**
**KTV - SERIES**  
**SEMI-VORTEX - DEWATERING PUMPS**
**SECTIONAL VIEW****KTV2-8**

ITEM#	DESCRIPTION	MAIN MATERIAL / NOTE	ASTM, AISI CODE	RELATED EN CODE	Q'TY
1	Power Cable	PVC Sheath AWG16/4-50ft			1
20	Pump Casing	Butadiene Rubber + Natural Rubber			1
21	Impeller	Urethane Rubber			1
23	Suction Strainer	Steel (Cold Rolled)	A109/A1008	EN 10130	1
25	Mechanical Seal	Silicon Carbide / W-14VL			1
29	Oil Casing	Aluminum Alloy Die Casting	B85 A383.0	EN1706 AC-46100	1
30	Oil Lifter	PA Resin			1
31	Wear Ring	Butadiene Rubber + Natural Rubber			1
32	Discharge Connection	Cast Iron / NPT 2"	A48 Class 35	EN1561 GJL-250	1
35	Oil Plug	Stainless Steel	S 30400	1.4301	1
36	Lubricant	Turbine Oil ISO VG32 or SAE10W-20			
50	Motor Bracket	Steel (Hot Rolled)	A1011	EN 10111	1
51	Motor Head Cover	Aluminum Alloy Die Casting	B85 383.0	EN1706 AC-46100	1
52A	Upper Bearing	#6203ZZC3			1
52B	Lower Bearing	#6204ZZC3			1
53	Motor Protector				1
54	Shaft	Stainless Steel	S 42000	1.4028	1
55	Rotor				1
56	Stator				1
64	Motor Housing	Aluminum Alloy Die Casting	B85 A383.0	EN1706 AC-46100	1
68	Handle	Steel (Cold Rolled) + Nitrile Butadiene Rubber	A109/A1008	EN 10130	1
71	Shaft Sleeve	Stainless Steel	S 30400	1.4301	1
121	Duct Sleeve	Styrene Butadiene Rubber			1
122	V-Ring	Nitrile Butadiene Rubber			1
127	Fixing Plate	Carbon Steel	A109/A1008	EN 10130	1