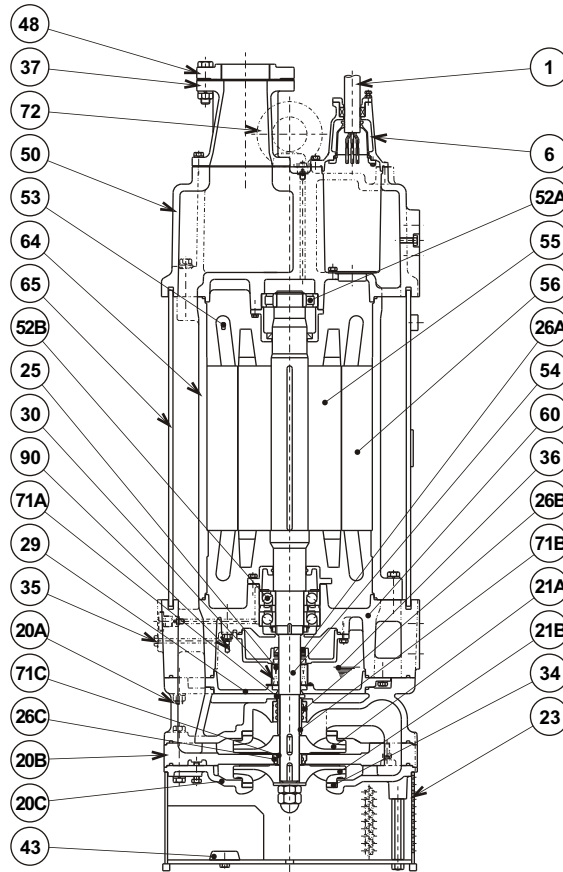




LH-W SERIES
HIGH HEAD - DEWATERING PUMPS

SECTIONAL VIEW

LH4110W-61



ITEM#	DESCRIPTION	MAIN MATERIAL / NOTE	RELATED ASTM, AISI CODE	RELATED EN CODE	QTY
1	Power Cable	Chloroprene Sheath AWG 1/3, 4/1, 14/3 -65f t			1
	Power Cable	Chloroprene Sheath AWG 1/3 -65f t			1
6	Stuffing Box	Cast Iron	A48M Class30B	EN 1561 GJL-200	2
20A	Upper Pump Casing	Cast Iron	A48M Class30B	EN 1561 GJL-200	1
20B	Middle Pump Casing	Cast Iron	A48M Class30B	EN 1561 GJL-200	1
20C	Lower Pump Casing	Cast Iron	A48M Class30B	EN 1561 GJL-200	1
21	Impeller	High Chrome Cast Iron	A532 Class III Type A	DN 1695 G-X260Q27	1
23	Suction Strainer	Steel (Cold Rolled)	A109/A 1008	EN 10130	1
25	Mechanical Seal	Silicon Carbide / H-50T			1
26A	Oil Seal	Nitrile Butadiene Rubber / SC-507210			1
26B	Labyrinth Ring (Upper)	Stainless Steel	S 17400	1.4542	1
26C	Labyrinth Ring (Lower)	Stainless Steel	S 17400	1.4542	1
29	Oil Casing	Cast Iron	A48M Class30B	EN 1561 GJL-200	1
30	Oil Lifter	Steel (Cold Rolled)	A109/A 1008	EN 10130	1
34	Suction Mouth	High Chrome Cast Iron	A532 Class III Type A	DN 1695 G-X260Q27	1
35	Oil Plug	Stainless Steel	S 30400	1.4301	2
36	Lubricant	Turbine Oil BO VG32 or SAE10W-20			
37	Flanged Discharge Pipe	Ductile Cast Iron / 4" JIS20K	A536 65-45-12	EN 1563 GJS-500-7	1
43	Cathodic Protection Plate	Aluminium Alloy			3
48	Companion Flange	Cast Iron / NPT 4"	A48M Class30B	EN 1561 GJL-200	1
50	Motor Head Cover	Cast Iron	A48M Class30B	EN 1561 GJL-200	1
52A	Upper Bearing	#NU312ECM			1
52B	Lower Bearing	#7313BECBMD w/ Spacer			1 set
53	Motor Protector				3
54	Shaft	Stainless Steel	S 42000	1.4028	1
55	Rotor				1
56	Stator				1
60	Bearing Housing	Cast Iron	A48M Class30B	EN 1561 GJL-200	1
64	Motor Housing	Cast Iron	A48M Class30B	EN 1561 GJL-200	1
65	Outer Cover	Steel	A283 Grade D	EN 10025 S275	1
71A	Shaft Sleeve (Upper)	Stainless Steel	S 17400	1.4542	1
71B	Shaft Sleeve (Middle)	Stainless Steel	S 17400	1.4542	1
71C	Shaft Sleeve (Lower)	Stainless Steel	S 17400	1.4542	1
72	Lifting Lug Bolt	Steel	A283 Grade D	EN 10025 S275	2
90	Leakage Sensor Electrode	Stainless Steel	S 30300	1.4305	1